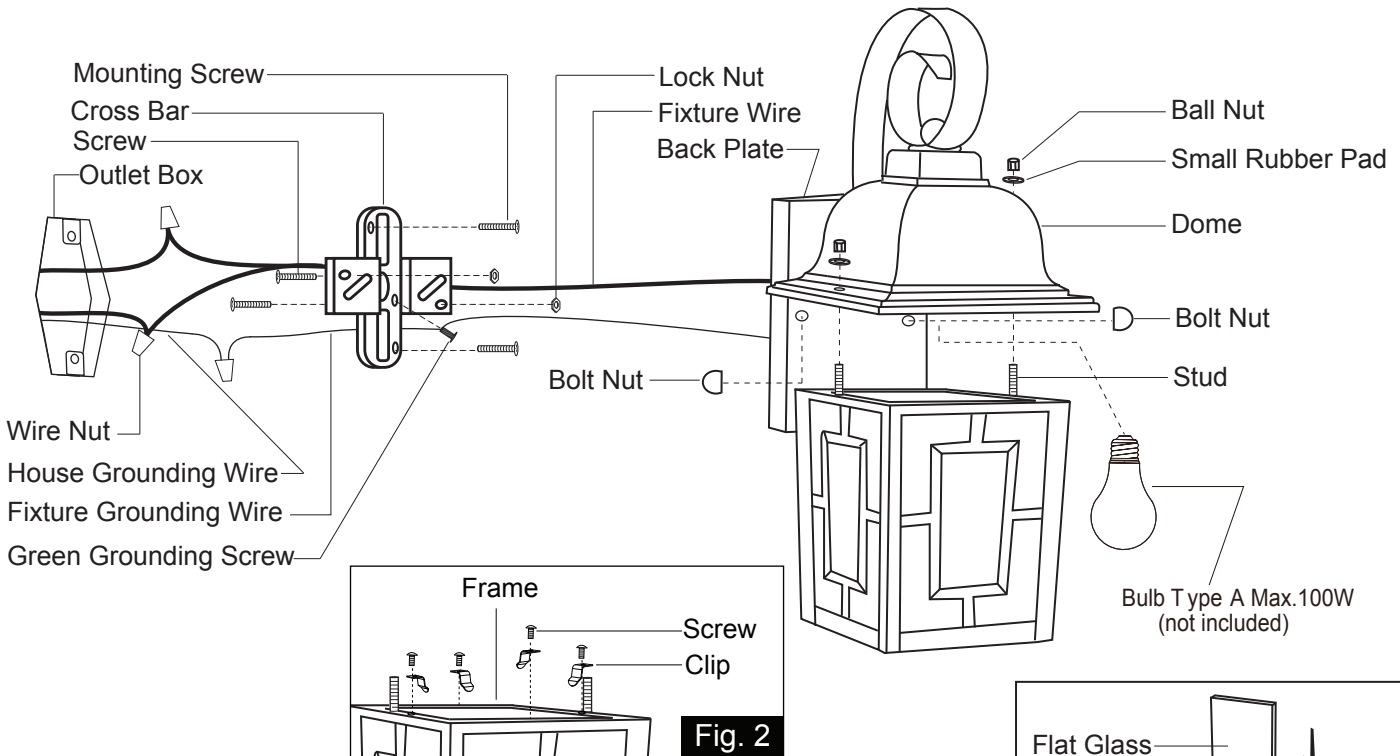


ASSEMBLY AND INSTALLATION INSTRUCTIONS

OW37563

WARNING: BE SURE TO SHUT OFF POWER AT THE MAIN FUSE OR CIRCUIT BREAKER BOX BEFORE INSTALLING OR SERVICING THIS FIXTURE.

NOTE: 1. Before installing, consult local electrical codes for wiring and grounding requirements. 2. READ AND SAVE THIS INSTRUCTION.



1. Thread two screws through the cross bar, then secure them with two lock nuts. Adjust the length of the screws if necessary.
2. Attach the cross bar to the outlet box by using two mounting screws.
3. Unscrew the ball nuts and remove the frame away from the fixture.
4. Unscrew and remove the screws and clips from the frame. Place the flat glasses into the frame carefully, and then restore the screws and clips back to secure the flat glasses. (See Fig.1 and Fig.2)

Note: Slide the narrow side of the flat glass downward into the notch inside of the frame.

5. Pull out the outlet wires and the house grounding wire from the outlet box. Make wire connections using the wire nuts:
 - Connect the black wire from the fixture to the black wire from the power source.
 - Connect the white wire from the fixture to the white wire from the power source.
 - Attach the fixture grounding wire to the cross bar with the green grounding screw. Then connect it to the house grounding wire with a wire nut.
 Carefully put the wires back into the outlet box.
6. Attach the back plate to the cross bar by inserting the screws, then secure it with two bolt nuts.
7. Install a bulb (not included). See relamping label at socket area or packaging for maximum allowed wattage.
8. Restore the frame back to the fixture, and then secure it with small rubber pads and ball nuts.
9. Turn on the power at the main fuse or circuit breaker box.

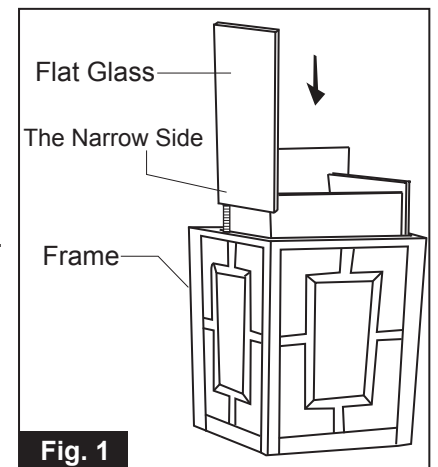


Fig. 1