

# ASSEMBLY AND INSTALLATION INSTRUCTIONS

CH55409 / CH55509 / CH55609 / CH55709

**WARNING: BE SURE TO SHUT OFF POWER AT THE MAIN FUSE OR CIRCUIT BREAKER BOX BEFORE INSTALLING OR SERVICING THIS FIXTURE.**

**NOTE: 1. Before installing, consult local electrical codes for wiring and grounding requirements.  
2. READ AND SAVE THESE INSTRUCTIONS.**

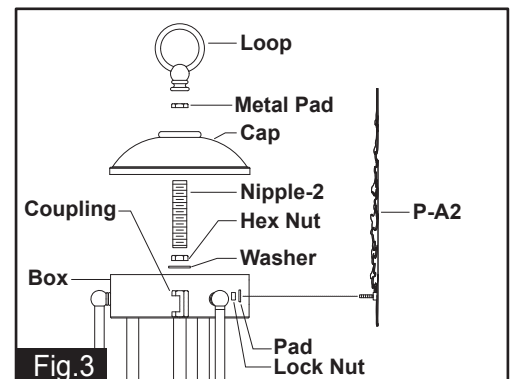
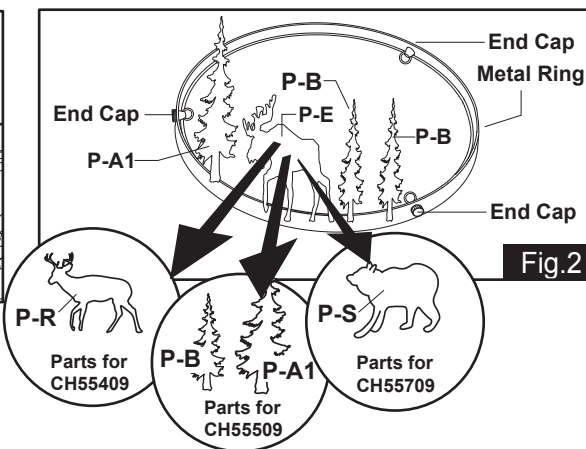
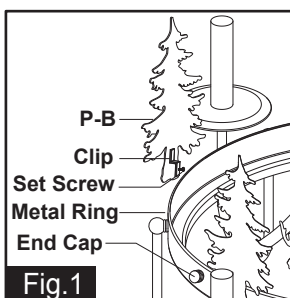
## Fixing the silhouette:

1. Take out the silhouettes from the package carefully. Loosen the set screws, but do not unscrew the set screws to prevent them lost.
2. Insert the silhouette to the metal ring, fix it toward to the metal ring with the set screw. (See Fig.1)
3. Repeat Step 2 to finish all the silhouettes fixing.

**Note: 1. The end caps divide the silhouettes fixing into three equal divisions. (See Fig.2)**

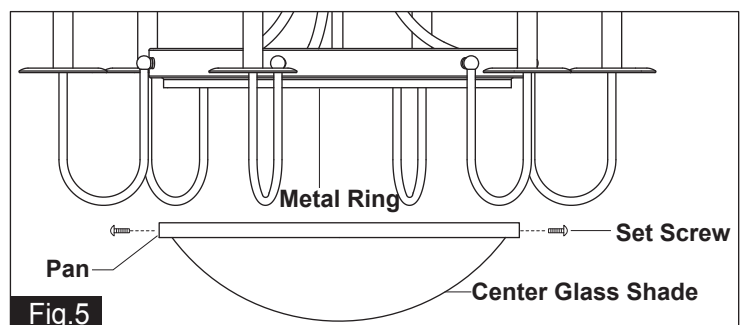
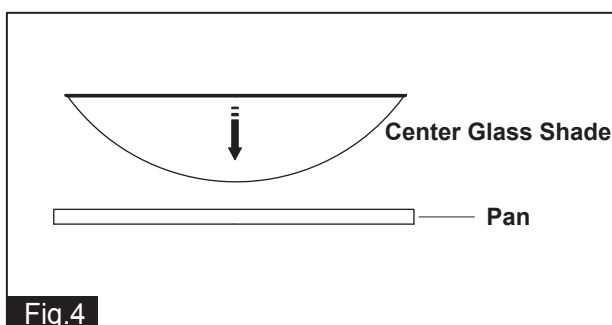
**2. Please according to Fig.2 shown to fix all the silhouettes whichever you fix first.**

4. You can install the silhouettes which marked P-R (for CH55409) or marked P-S (for CH55709) or marked P-A1 & P-B (for CH55509) to the location of silhouettes which marked P-E (for CH55609) shown in Figure 2 to replace them.
5. Attach the P-A2 to the box, secure them with the pads and lock nuts. (See Fig 3)
6. Screw the nipple-2 into the coupling, and then secure with the washer and hex nut. (See Fig 3)  
**( You can adjust the length of the nipple-2 if necessary.)**
7. Attach the cap downward to the box by inserting the nipple-2, and then secure it with the metal pad and loop. (See Fig 3)



## Assembling the center glass shade:

1. Loosen the set screw from the pan, remove the pan out of the metal ring.
2. Attach the center glass shade downward to the pan carefully. (See Fig.4)
3. Attach the assembled pan upward to the metal ring, make the hole on the metal ring and the hole on the pan overlap, and then secure with the set screws. (See Fig.5)



## Install the other parts:

1. Attach the nipple-1 to the mounting strap, and then secure it with a washer and a hex nut.
2. Attach the mounting strap to the outlet box by using two mounting screws.
3. Choose the certain length of the chain you need, and then weave the fixture wire and the fixture grounding wire through the chain. Then connect one end of the chain with the loop by using the loop lock.
4. Secure the top loop to the nipple-1 tightly.
5. Thread the fixture wire and fixture grounding wire through the collar, top loop, canopy, nipple-1 and mounting strap in order.
6. Connect the other end of the chain with the top loop by using the loop lock.
7. Pull out the outlet wires and house grounding wire from the outlet box. Make wire connections using the wire nuts:
  - The smooth wire (marked) from the fixture to the black wire from the power source.
  - The ridged wire (unmarked) from the fixture to the white wire from the power source.
  - Attach the fixture grounding wire to the mounting strap with the green grounding screw. Then connect it to the house grounding wire with a wire nut.Carefully put the wires back into the outlet box.
8. Attach the canopy to the mounting strap by inserting the top loop, then secure it with the collar.
9. Attach the candle covers to the socket.
10. Install bulbs (not included). See relamping label at socket area or packaging for maximum allowed wattage.
11. Attach the shades downward to the bulbs carefully. Make the bulbs clip by the clips tightly.
12. Turn on the power at the main fuse or circuit breaker box.

