

ASSEMBLY AND INSTALLATION INSTRUCTIONS

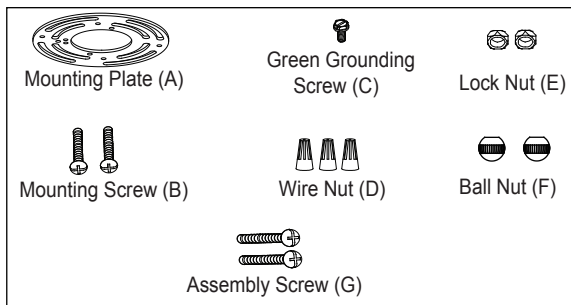
C0044

WARNING: BE SURE TO SHUT OFF POWER AT THE MAIN FUSE OR CIRCUIT BREAKER BOX BEFORE INSTALLING OR SERVICING THIS FIXTURE.

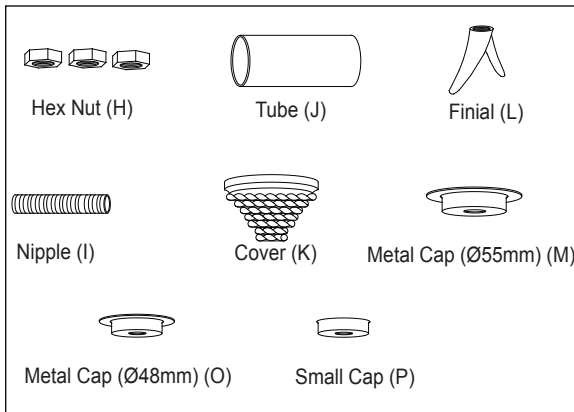
**NOTE: 1. Before installing, consult local electrical codes for wiring and grounding requirements.
2. READ AND SAVE THESE INSTRUCTIONS.**

Parts:

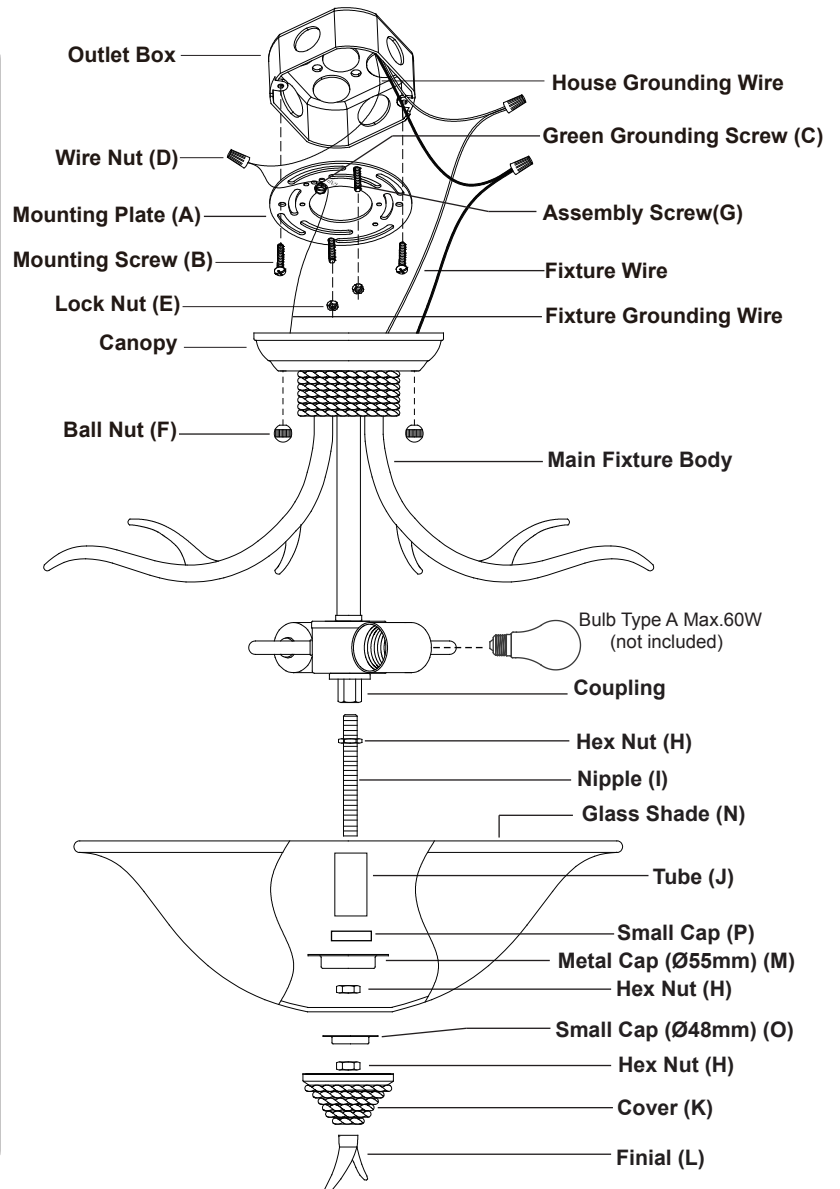
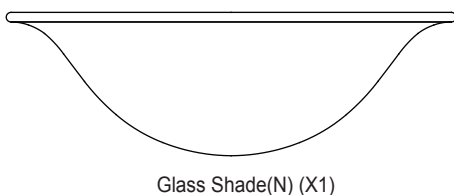
Parts Number (4777MM)



Parts Number (4778AA)

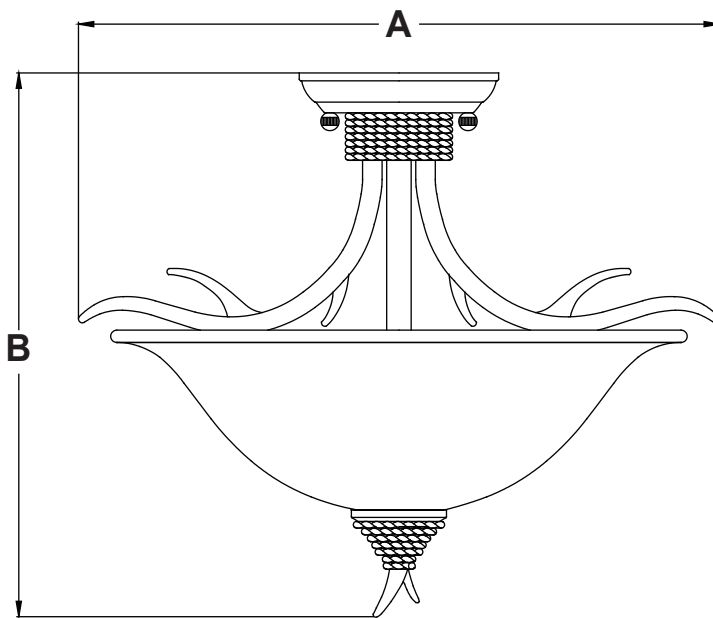


Parts Number (9460S)



1. Thread two assembly screws through the mounting plate, and secure them with two lock nuts. Adjust the length of the assembly screws if necessary.
2. Attach the mounting plate to the outlet box by using two mounting screws.
3. Adjust the arms of the fixture according to the drawing of the package.
Important:
 - a. The arms should be positioned with equal distances between them.
 - b. The arms should be fixed securely.
4. Screw the nipple into the coupling on the main fixture body, secure it with hex nut.
5. Slide the tube, small cap and the metal cap(Ø55mm) onto the nipple, secure them with hex nut.
6. Install bulbs(not included). See relamping label at socket area or packaging for maximum allowed wattage.

7. Place the glass shade over the main fixture body, making sure the nipple feeds through its center hole, then secure it with a metal cap(Ø48mm) and hex nut.
8. Slide the cover up to the glass shade, and secure it with finial.
9. Pull out the outlet wires and the house grounding wire from the outlet box. Make wire connections using the wire nuts:
 - The black (hot) wire from the fixture to the black (hot) wire from the power source.
 - The white (neutral) wire from the fixture to the white (neutral) wire from the power source.
 - Attach the fixture grounding wire to the mounting plate with the green grounding screw. Then connect it to the house grounding wire with the wire nut.Carefully put the wires back into the outlet box.
10. Attach the canopy to the mounting plate, and secure it with two ball nuts.
11. Turn on the power at the main fuse or circuit breaker box.



A: 16-1/2"

B: 14"