

Strom Plumbing



Ph: (916) 638-2722 / Fax: (916) 638-2725

Installation Information

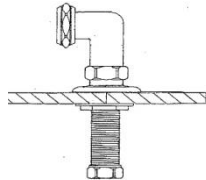
Item #P1048

Deck Mount Kitchen Faucet

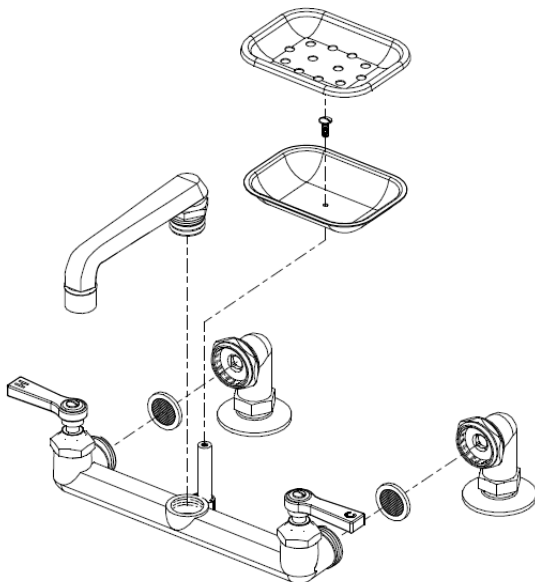
Warranted only when installed by a qualified, licensed plumber. Please use Teflon tape on all threaded connections.

Minimum hole diameter in sink or deck is 1" diameter. Maximum deck/sink thickness is 1 1/8". Be careful not to scratch the finish when attaching components.

1. Shut off the water supply before installation.
2. Minimum hole diameter of 1" is required in sink or deck at 8" centers.
3. Insert the threaded nipples into the bottom of the deck mount coupler (shorter end of nipple goes to coupler. Use Teflon tape on all threads).
4. Insert the threaded nipples into the holes in the deck/sink. Secure them to the deck by threading the lockdown nuts onto the nipples from under the sink and tighten.



5. Attach the faucet body to the deck mount couplers and tighten nuts to secure (use care not to scratch the finish)
6. Attach the spout to the faucet body, tighten nut.
7. Put handles onto valve stems, secure with handle screw.
8. Attach Spout.
9. Use screw provided to attach soap dish to faucet.
10. Remove the aerator from the end of the spout and turn on water supply to flush hot and cold lines until the water is clear.
11. Re-install the aerator and enjoy your beautiful faucet.
12. Make no adjustments to valves or valve stems. They are tested at the factory for optimum performance.



Parts Included:

- Faucet Body, 8" centers w/handles
- Spout
- Soap Dish
- Deck Mount Couplers w/screen washers (pair)