

# Assembly Instruction Sheet #IS-TVN5005DK

## For Style TVN5005DK

Quozel, Inc.  
 6 Corporate Parkway  
 Goose Creek, SC  
 29445

Customer Service  
 Phone 631.273.2700  
 Fax 631.231.7102  
 www. quozel. com

**Tools Required:** Flathead screwdriver, Phillips screwdriver, pliers, wire cutters, wire strippers, electrical tape, safety glasses.

**Bulb Recommended:** (5) Edison Style Bulbs 60W Maximum

**Estimated Assembly Time:** 20-30 minutes

**Preparation:** Identify and inspect all parts before beginning installation. Check package content list and diagrams below to be sure all parts are present. If any parts are missing or damaged, do not attempt to assemble, install, or operate the fixture. Contact customer service for replacement parts.



### Warnings and Cautions

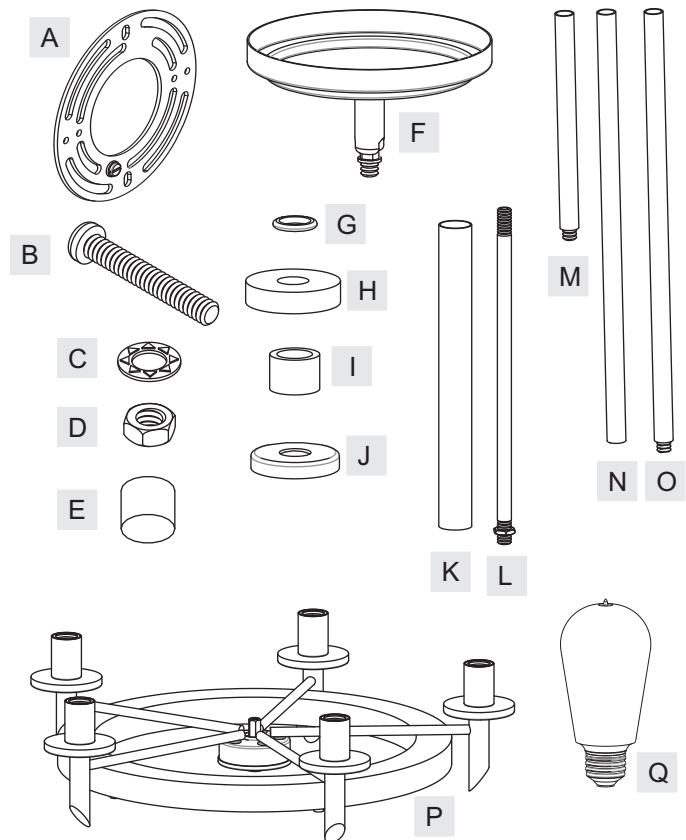
Turn off electricity at circuit breaker or main fuse box before installation. Consult a licensed electrician if in doubt.

These instructions are provided for your safety. It is very important you read them completely before installing the fixture. We strongly recommend that a licensed, professional electrician perform the installation.

Disconnect fixture from power source before replacing bulbs. Make sure bulbs are given sufficient time to cool before removal. Do not subject glass parts to any shock while in operation or shattering may result.

### Package Contents

Part	Description	Quantity
A	Crossbar	1 pc.
B	Mounting Screw	2 pcs.
C	Lock Washer	2 pcs.
D	Hex Nut	2 pcs.
E	Lock Ball	2 pcs.
F	Ceiling Canopy	1 pc.
G	Lock Ring	1 pc.
H	Cylinder Part	1 pc.
I	Small Pipe	1 pc.
J	Check Ring	1 pc.
K	Spacer Tube	1 pc.
L	Stem with Hex Nut	1 pc.
M	6" Rod	2 pcs.
N	12" Rod	1 pc.
O	12" Rod with Nipple	1 pc.
P	Socket Assembly	1 pc.
Q	Edison Bulb	5 pcs.



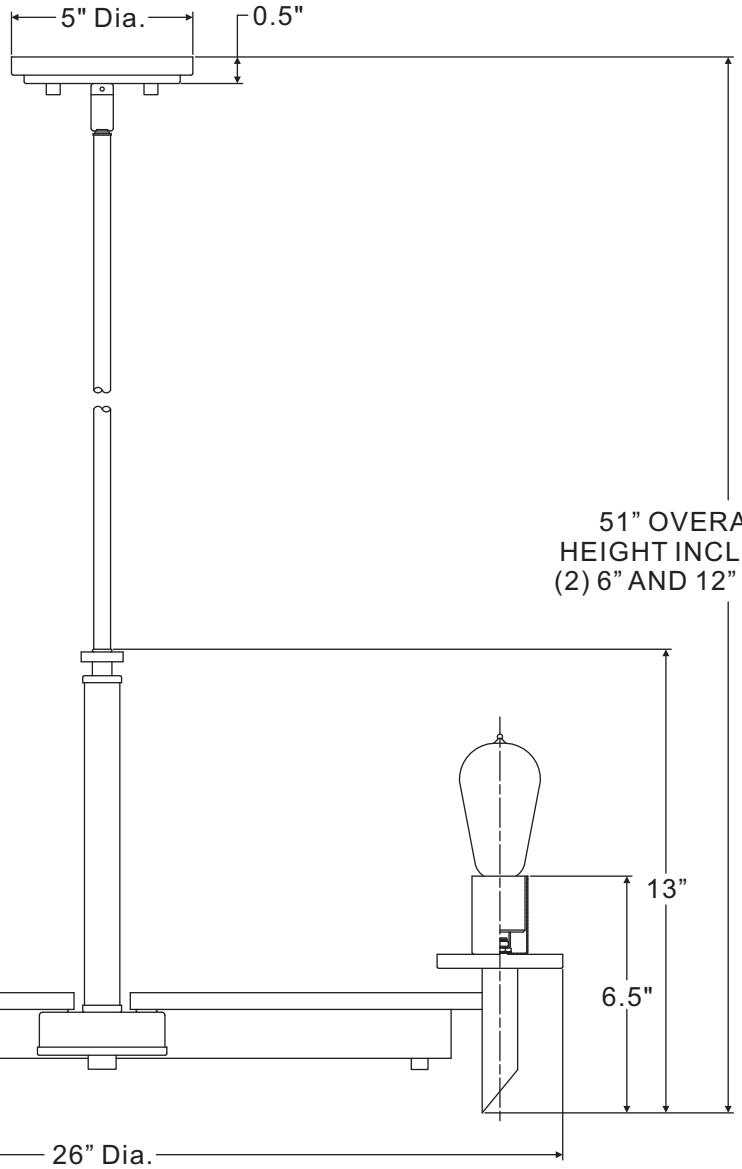
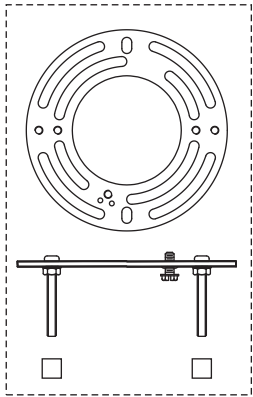
Thank you for purchasing a Quozel product.

Need assistance with parts or assembly? Call Quozel customer service at 1-631-273-2700  
 or visit us on-line at [www. quozel. com](http://www. quozel. com)

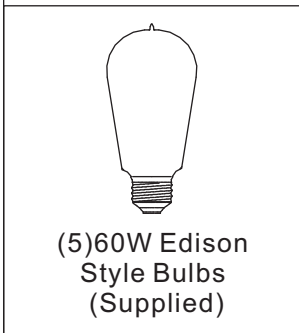
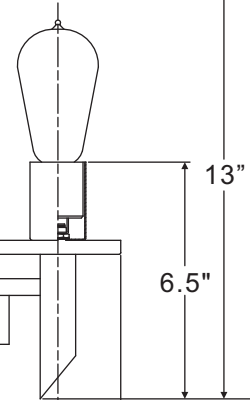
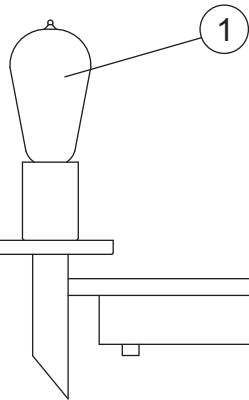
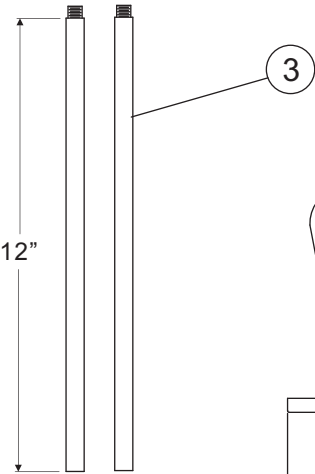
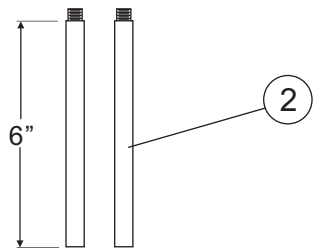
TVN5005DK

FINISH: DARKEST BRONZE

NOTE: TWO LIGHTS SHOWN FOR ILLUSTRATION PURPOSES ONLY.



51" OVERALL HEIGHT INCLUDES (2) 6" AND 12" RODS



NOTE: ALL DIMENSIONS ARE ROUNDED UP TO THE NEAREST 1/2"

NO.	PART NUMBER	REPLACEMENT PART DESCRIPTION	REQ.
1	I1101EC	REPRODC 1910 INCANDESCENT BULB	5
2	9006EXDK	ROD EXTENSION DARKEST BRONZE 6"L X 0.5"D	2
3	9012EXDK	ROD EXTENSION DARKEST BRONZE 12"L X 0.5"D	2

**STEP 1 – Install Stem with Hex Nut**

- A. Thread the Hex Nut end of the Stem (L) into the Hex Coupling on the top center of the Socket Assembly (P). By using pliers, thread the Hex Nut against the Hex Coupling and hand tighten until snug.

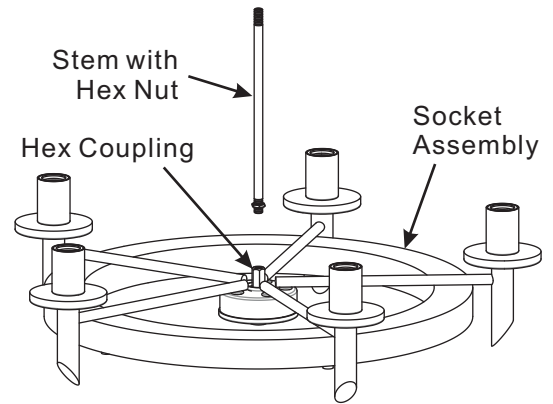


Figure 1

**STEP 2 – Install Spacer Tube, Check Ring, Small Pipe and Cylinder Part**

- A. Pass the Spacer Tube (K), the Check Ring (J), the Small Pipe (I) and the Cylinder Part (H) over the top end of the Stem (L) as shown. Secure by threading the Lock Ring (G) onto the Stem (L). Hand tighten until snug.

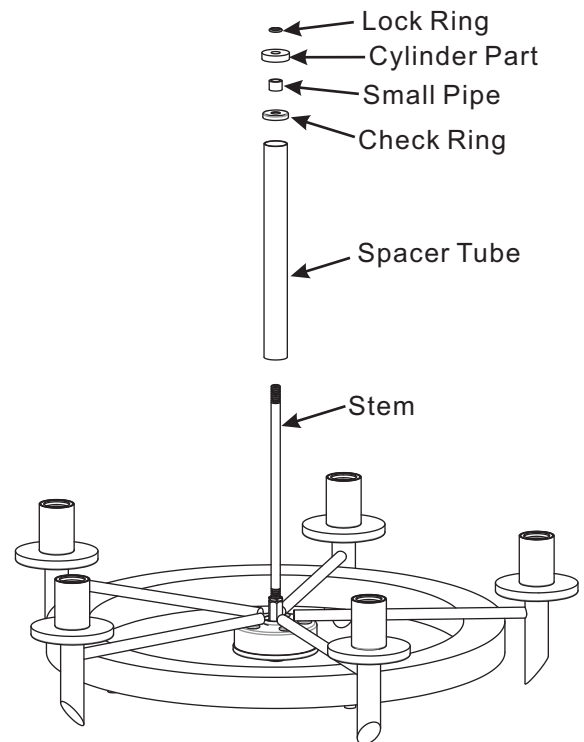


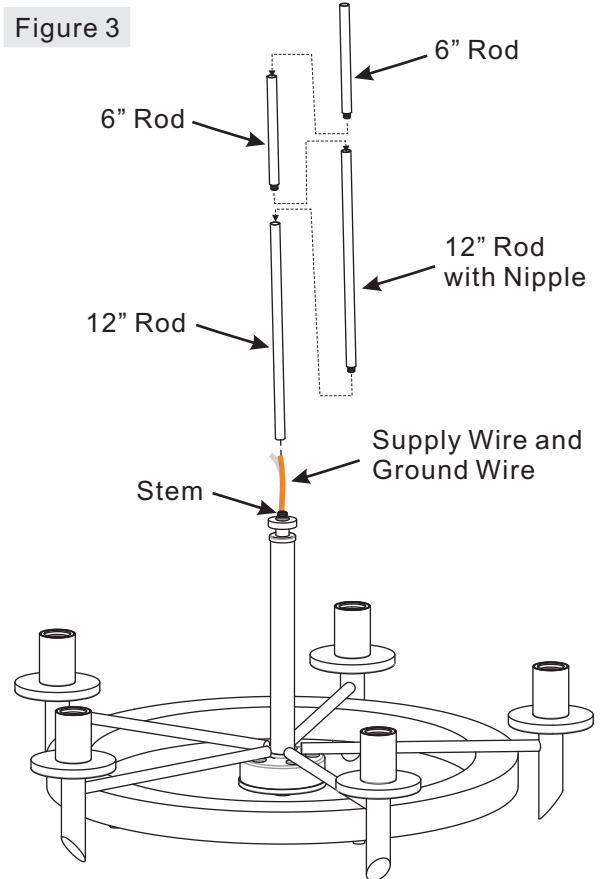
Figure 2

**Thank you for purchasing a Quozel product.**

**Need assistance with parts or assembly? Call Quozel customer service at 1-631-273-2700  
or visit us on-line at www. quozel. com**

**STEP 3 – Assemble Rods**

- A. Determine the Rods (M/N/O) to be assembled to the Stem (L) according to your hanging height.
- B. Pass Supply Wires and Ground Wire through the chosen Rods (M/N/O) and then thread the chosen Rods (M/N/O) and the Stem (L) together. Hand tighten until snug.



**STEP 4 – Assemble Ceiling Canopy to Upper Rod**

- A. Pass Supply Wires and Ground Wire through the Ceiling Canopy (F) and then thread the Ceiling Canopy (F) and the Upper Rod together. Hand tighten until snug.

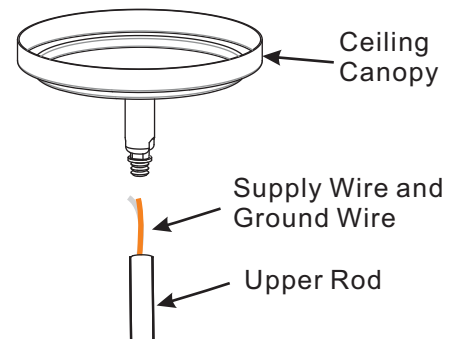


Figure 4

**Thank you for purchasing a Quozel product.**

**Need assistance with parts or assembly? Call Quozel customer service at 1-631-273-2700  
or visit us on-line at [www. quozel. com](http://www. quozel. com)**

**STEP 5 – Attach Mounting Screws, Lock Washers and Hex Nuts to Crossbar**

- A. Line up a set of holes on the Crossbar (A) and Holes on the Ceiling Canopy (F).
- B. Thread Mounting Screws (B) into the holes on the Crossbar (A), pass Lock Washers (C) and thread Hex Nut (D) onto the Mounting Screws (B). Hand tighten until snug.

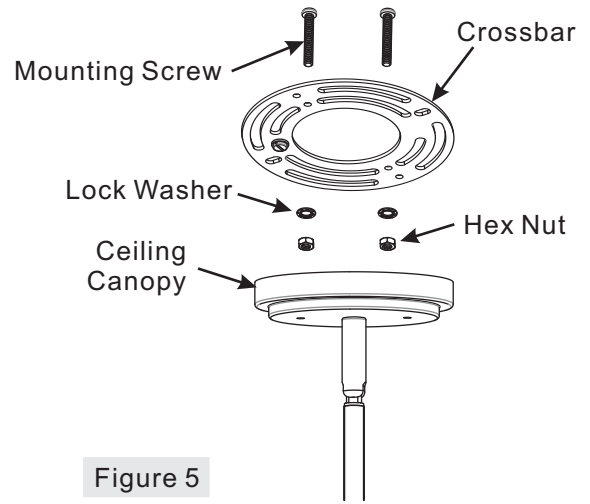


Figure 5

**STEP 6 – Attach Crossbar to Outlet Box**

- A. Attach the Crossbar (A) to Outlet Box and secure by threading Outlet Box Screws (not supplied) into the Mounting Holes on the Outlet Box. Tighten until snug.

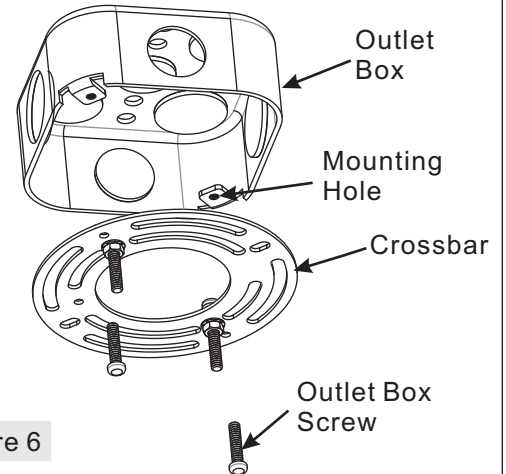


Figure 6

**Thank you for purchasing a Quozel product.**

**Need assistance with parts or assembly? Call Quozel customer service at 1-631-273-2700  
or visit us on-line at www. quozel. com**

### STEP 7 – Make Wire Connections

- A. Use standard wire connectors to make all wire connections. (Connectors are not included with fixture.) Strip and prepare wire ends according to instructions supplied with connectors.
- B. Connect White Supply Wire from the Outlet Box to White Wire from fixture.
- C. Connect Black (or Red) Supply Wire from the Outlet Box to Black Wire from fixture.
- D. Connect Ground Wire from the Outlet Box to Ground Wire from fixture.
- E. Twist connectors until wires are tightly joined together.
- F. Wrap each connection with approved electrical tape and carefully stuff all the connected wires into the Outlet Box.

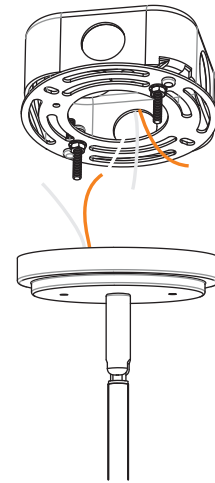


Figure 7

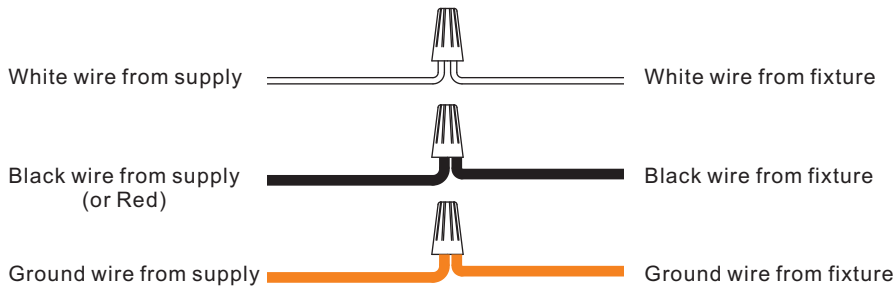


Figure 8

### STEP 8 – Attach Ceiling Canopy to Mounting Screw

- A. Place the Ceiling Canopy (F) over the Mounting Screws (B) and secure with Lock Balls (E). Hand tighten until snug.

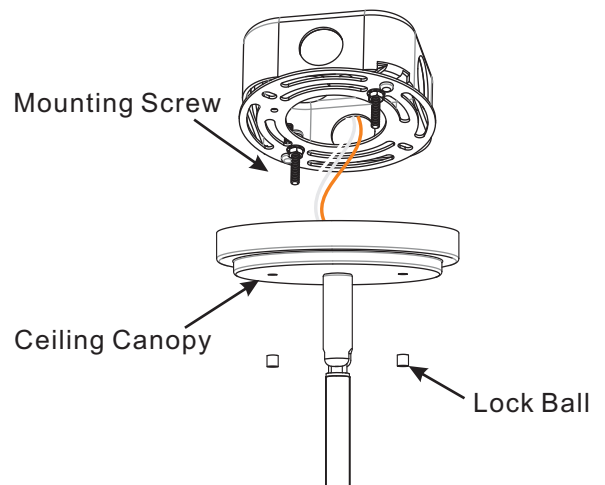


Figure 9

Thank you for purchasing a Quozel product.

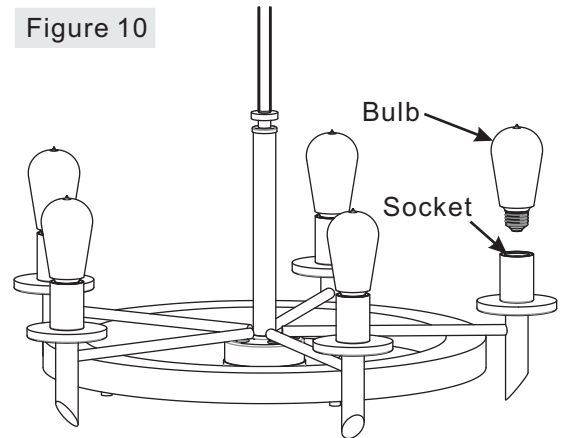
Need assistance with parts or assembly? Call Quozel customer service at 1-631-273-2700  
or visit us on-line at [www. quozel. com](http://www. quozel. com)

**STEP 9 – Install Bulb**

- A. This fixture uses Edison style bulb (Q) with a standard screw base. Maximum 60 watts.
- B. Insert bulb and screw properly into place.

Your fixture is now assembled and ready to use. Enjoy!

Figure 10



**Thank you for purchasing a Quozel product.  
Need assistance with parts or assembly? Call Quozel customer service at 1-631-273-2700  
or visit us on-line at [www. quozel. com](http://www. quozel. com)**