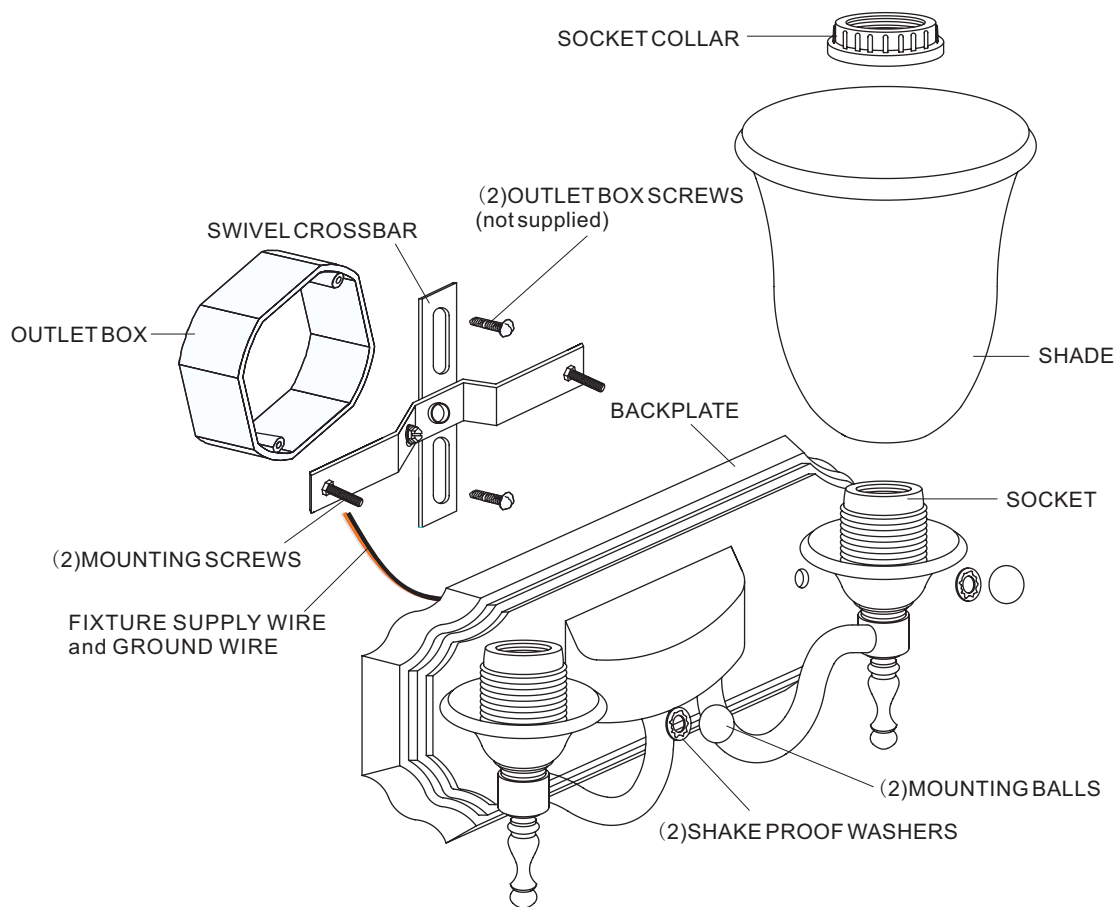


INSTALLATION INSTRUCTIONS



1. Before beginning the installation, carefully unpack and identify all parts, referring to illustration.
2. Turn the electrical power to installation point OFF at circuit breaker .
3. Locate the SWIVEL CROSSBAR and install the (2) MOUNTING SCREWS into the outside holes as shown in the illustration. Next, secure the SWIVEL CROSSBAR to the OUTLET BOX with the (2) OUTLET BOX SCREWS (not supplied) .
4. Make the connections: Use wire connectors(not supplied)connect the wires as shown below:
 - HOUSE WHITE WIRE to FIXTURE WHITE (or RIBBED SIDE) WIRE
 - HOUSE BLACK WIRE to FIXTURE BLACK (or SMOOTH SIDE) WIRE
 - HOUSE GROUND WIRE to FIXTURE GROUND WIRE
 Wrap each finished connection with approved electrical tape.
5. Carefully tuck all wires into the OUTLET BOX and position the fixture over the outlet box. Align the HOLES in the BACKPLATE with the (2) MOUNTING SCREWS attached to the SWIVEL CROSSBAR. Pass the fixture and (2)SHAKE PROOF WASHERS over the (2) MOUNTING SCREWS and secure by threading (2)MOUNTING BALLS onto the end of screws. Hand tighten until snug.
6. Position SHADES over the SOCKETS and secure them by threading SOCKET COLLARS onto SOCKETS. Hand tighten until snug.
7. Install bulbs referring to fixture markings and/or labels for maximum wattage.
8. Restore power to the installation point ON. Retain this sheet for future reference.

**IF IN DOUBT ABOUT ELECTRICAL INSTALLATION,
CONSULT A LICENSED ELECTRICIAN!**