

Quoizel, Inc.
 6 Corporate Parkway
 Goose Creek, SC 29445

Customer Service
 Phone 631.273.2700
 Fax 631.231.7102
 www.quoise.com

Tools Required: Flathead screwdriver, Phillips screwdriver, pliers, wire cutters, wire strippers, electrical tape, safety glasses.

Bulb Recommended: (1) Medium Base Decorative Filament 60W bulbs (provided), Maximum 100W, Alternate bulb (1) 23W CFL Maximum.

Estimated Assembly Time: 30-45 minutes

Preparation: Identify and inspect all parts before beginning installation. Check package content list and diagrams below to be sure all parts are present. If any parts are missing or damaged, do not attempt to assemble, install, or operate the fixture. Contact customer service for replacement parts.

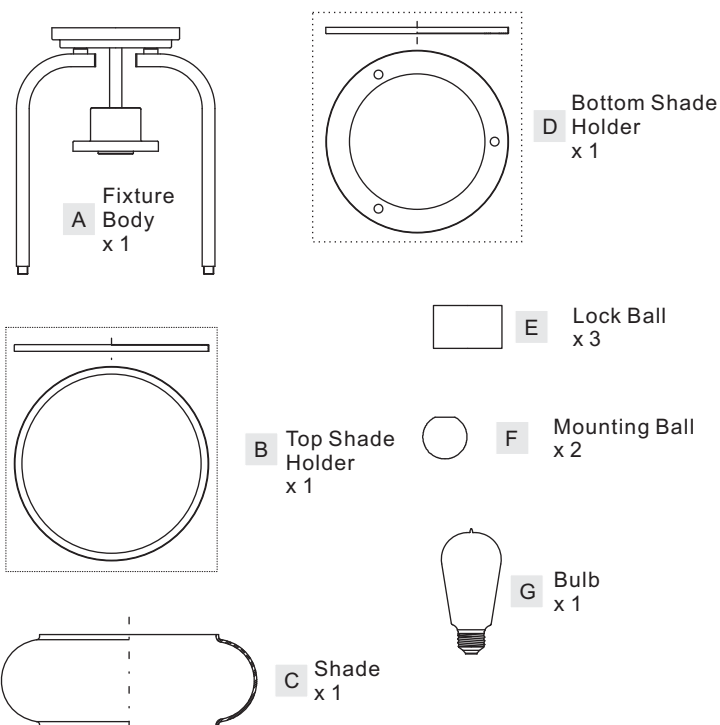
⚠ Warnings and Cautions

Turn off electricity at circuit breaker or main fuse box before installation. Consult a licensed electrician if in doubt.

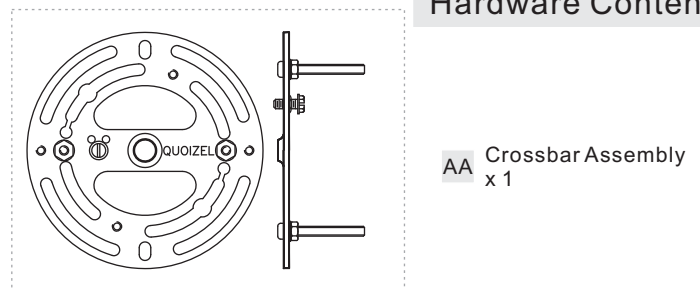
These instructions are provided for your safety. It is very important you read them completely before installing the fixture. We strongly recommend that a licensed, professional electrician perform the installation.

Disconnect fixture from power source before replacing bulbs. Make sure bulbs are given sufficient time to cool before removal. Do not subject glass parts to any shock while in operation or shattering may result.

Package Contents



Hardware Contents



STEP 2 - Wire Connections

- A. Use standard wire connectors (not included) to make all wire connections. (Connectors are not included with fixture.) Strip and prepare wire ends according to instructions supplied with connectors.
- B. Connect White Supply Wire from the Outlet Box to Ribbed side Wire from fixture.
- C. Connect Black (or Red) Supply Wire from the Outlet Box to Smooth side Wire from fixture.
- D. Connect Ground Wire from the Outlet Box to Ground Wire from fixture.
- E. Twist connectors until wires are tightly joined together.
- F. Wrap each connection with approved electrical tape and carefully stuff all the connected wires into the Outlet Box.

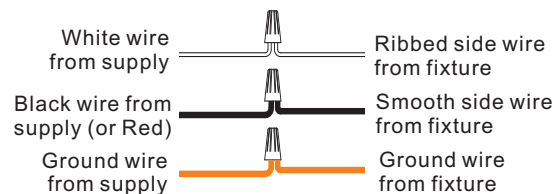


Figure 2

STEP 1 - Install Crossbar

- A. Attach the Crossbar Assembly (AA) to the Outlet Box with the head of the Green Ground Screw facing you. Secure it with Outlet Box Screws (not included). Tighten until snug.

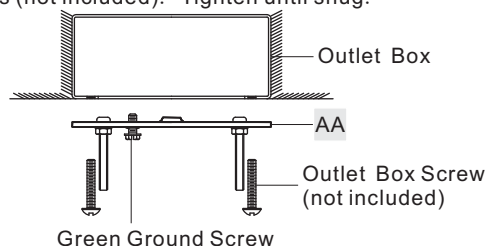


Figure 1

STEP 3 - Attach Fixture Body to Mounting Screw

- A. Place the Ceiling Canopy (A) over the Mounting Screws and secure with Mounting Screw (F). Hand tighten until snug.

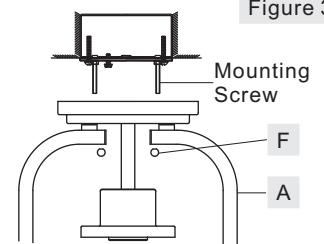
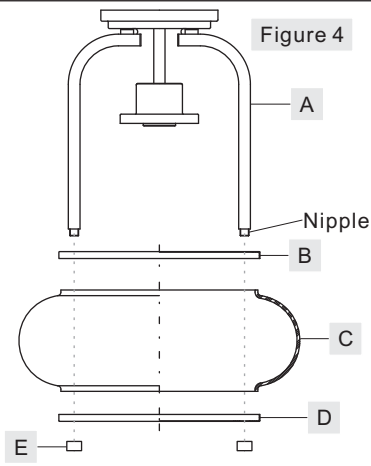


Figure 3

Thank you for purchasing a Quoizel product.
Need assistance with parts or assembly? Call Quoizel customer service at 1-631-273-2700
or visit us on-line at www.quoise.com

STEP 4 - Install Shade

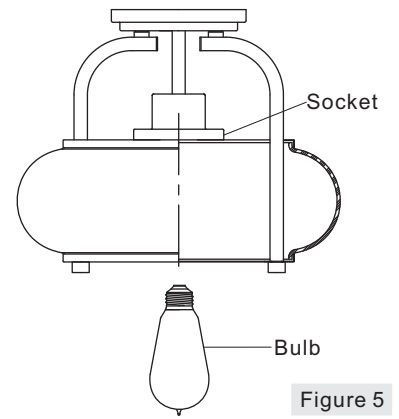
A. Place the Top Shade Holder (B), Shade (C), and Bottom Shade Holder (D) over the Nipple on the Fixture Body (A), secure by threading Lock Ball (E) into the Nipple, hand tighten until snug.



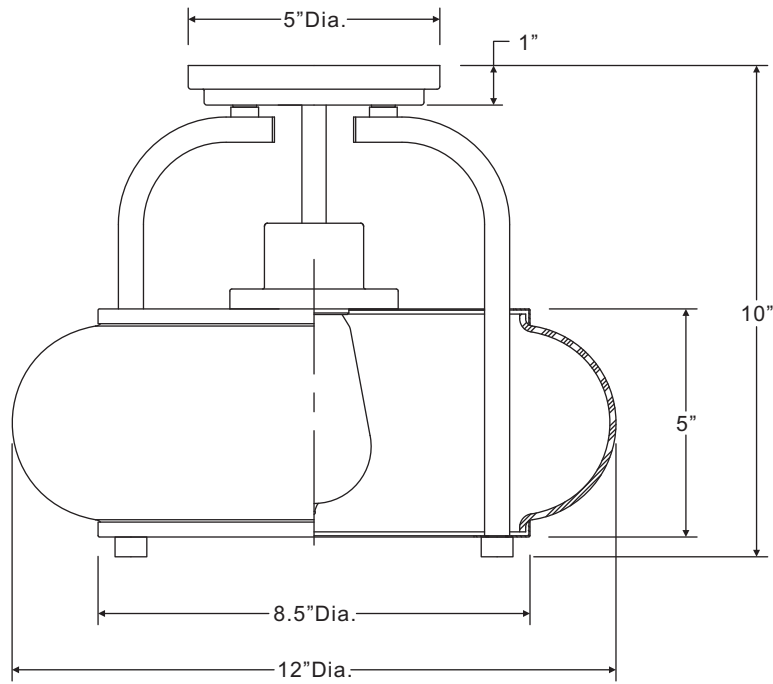
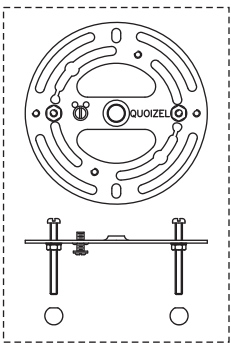
STEP 5 - Install Bulb

A. This fixture uses standard bulb 60W (supplied) with a standard screw base. Maximum 100 watts.
 B. Insert bulb and screw properly into place.

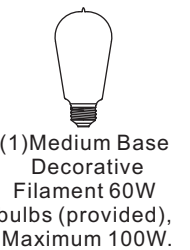
Your fixture is now assembled and ready to use. Enjoy!



TRG17120Z
 FINISH: OLD BRONZE



NOTE: ALL DIMENSIONS ARE ROUNDED UP TO THE NEAREST 1/2"



NO.	PART NUMBER	REPLACEMENT PART DESCRIPTION	REQ.
1			

Thank you for purchasing a Quozel product.
 Need assistance with parts or assembly? Call Quozel customer service at 1-631-273-2700
 or visit us on-line at www.quezel.com