

Quozel, Inc.  
 6 Corporate Parkway  
 Goose Creek, SC  
 29445

Customer Service  
 Phone 631.273.2700  
 Fax 631.231.7102  
 www. quozel. com

## Assembly Instruction Sheet #IS-TF1396SVB For Style TF1396SVB

**Tools Required:** Flathead screwdriver, Phillips screwdriver, pliers, wire cutters, wire strippers, electrical tape, safety glasses.

**Bulb Recommended:** (2) Medium Base 75W Maximum

**Estimated Assembly Time:** 20-30 minutes

**Preparation:** Identify and inspect all parts before beginning installation. Check package content list and diagrams below to be sure all parts are present. If any parts are missing or damaged, do not attempt to assemble, install, or operate the fixture. Contact customer service for replacement parts.



### Warnings and Cautions

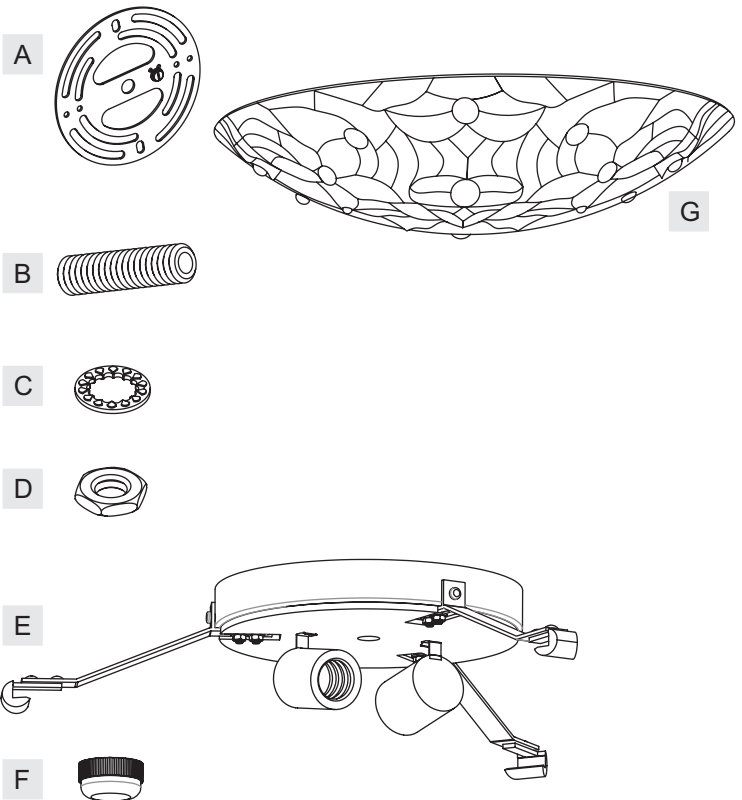
Turn off electricity at circuit breaker or main fuse box before installation. Consult a licensed electrician if in doubt.

These instructions are provided for your safety. It is very important you read them completely before installing the fixture. We strongly recommend that a licensed, professional electrician perform the installation.

Disconnect fixture from power source before replacing bulbs. Make sure bulbs are given sufficient time to cool before removal. Do not subject glass parts to any shock while in operation or shattering may result.

### Package Contents

Part	Description	Quantity
A	Crossbar	1 pc.
B	Nipple	1 pc.
C	Lock Washer	2 pcs.
D	Hex Nut	2 pcs.
E	Ceiling Canopy	1 pc.
F	Finial	1 pc.
G	Shade	1 pc.

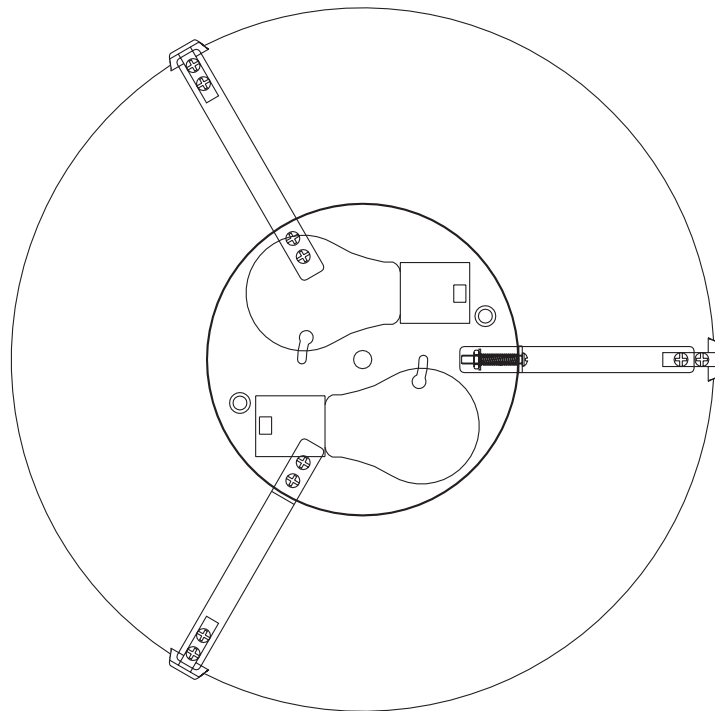
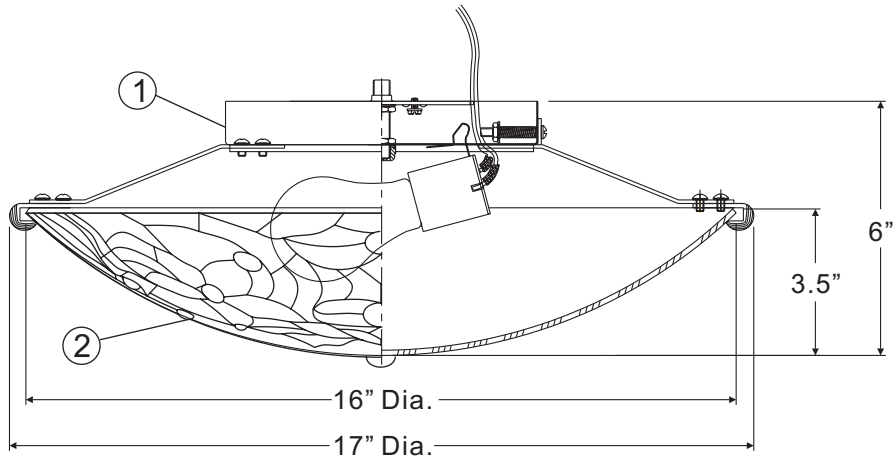
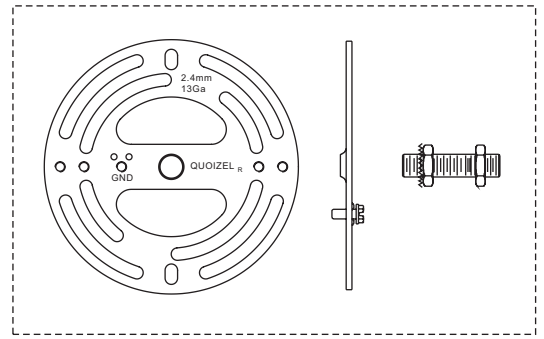


**Thank you for purchasing a Quozel product.**

**Need assistance with parts or assembly? Call Quozel customer service at 1-631-273-2700  
 or visit us on-line at [www. quozel. com](http://www. quozel. com)**

TF1396SVB

FINISH: VINTAGE BRONZE



(2) 75W Medium Base Bulbs  
(Not Supplied)

NOTE: ALL DIMENSIONS ARE ROUNDED UP TO THE NEAREST 1/2"

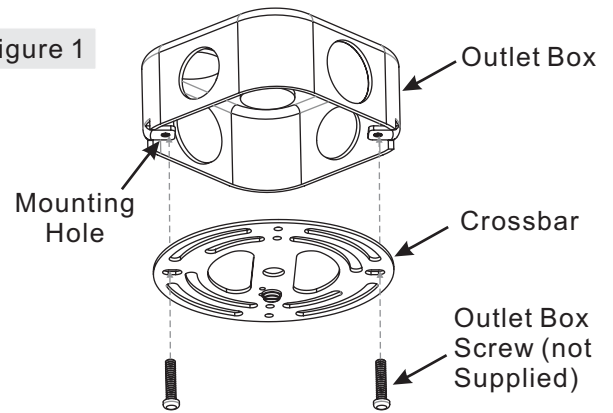
NO.	PART NUMBER	REPLACEMENT PART DESCRIPTION	REQ.
1	11396SVBTF	BASE VINTAGE BRONZE	1
2	G3361SH	TIFFANY SHADE 16"D	1

# Assembly Instruction Sheet #IS-TF1396SVB For Style TF1396SVB

## STEP 1 – Attach Crossbar to Outlet Box

- A. Secure the Crossbar (A) to the outlet box with outlet box screws (not supplied). Tighten until snug.

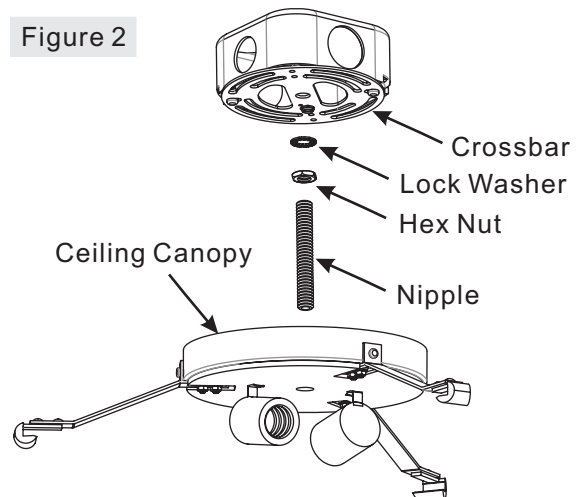
Figure 1



## STEP 2 – Attach Nipple to Crossbar

- A. Locate the Nipple (B) and thread one Hex Nut (D) onto it about half way. Slip a Lock Washer (C) onto it and thread one end of the Nipple (B) into the center hole of the Crossbar (A).
- B. Position the Ceiling Canopy (E) over the outlet box, passing the mounting hole in the center of the Ceiling Canopy (E) over the end of Nipple (B).
- C. Adjust the Nipple (B) so approx 3/8 inch of the Nipple (B) is protruding from the mounting hole. This adjustment may take a few tries.
- D. When this length is achieved, remove the Ceiling Canopy (E) and tighten the Hex Nut (D) up against the underside of the Crossbar (A) with pliers.

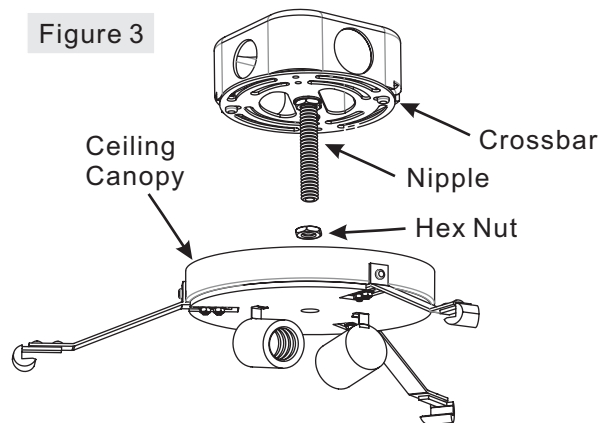
Figure 2



## STEP 3 – Attach Ceiling Canopy

- A. Thread one Hex Nut (D) onto the other end of the nipple (B). Thread this Hex Nut (D) on just enough so the inside surface of the Ceiling Canopy (E) rests against it.
- \* You may have to trial fit the Ceiling Canopy (E) one more times to insure this distance also. This Hex Nut (D) is needed here to prevent you from crushing down the center of the Ceiling Canopy (E).

Figure 3



**Thank you for purchasing a Quoizel product.**  
**Need assistance with parts or assembly? Call Quoizel customer service at 1-631-273-2700**  
**or visit us on-line at [www. quozel. com](http://www. quozel. com)**

## STEP 6 – Make Wire Connections

- A. Use standard wire connectors to make all wire connections. (Connectors are not included with fixture.) Strip and prepare wire ends according to instructions supplied with connectors.
- B. Connect White Supply Wire from the Outlet Box to White Wire from fixture.
- C. Connect Black (or Red) Supply Wire from the Outlet Box to Black Wire from fixture.
- D. Connect Ground Wire from the Outlet Box to Ground Wire from fixture.
- E. Twist connectors until wires are tightly joined together.
- F. Wrap each connection with approved electrical tape and carefully stuff all the connected wires into the Outlet Box.

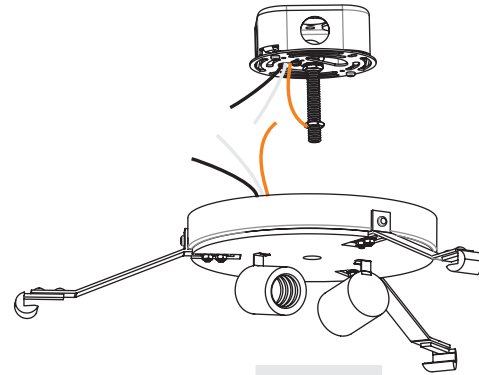


Figure 4

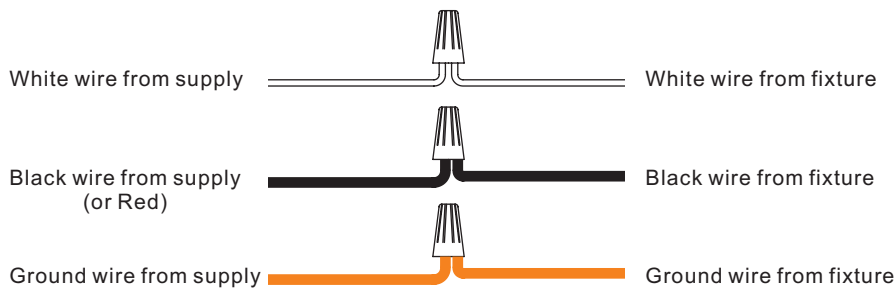


Figure 5

## STEP 5 – Attach Ceiling Canopy

- A. Position the Ceiling Canopy (E) to the ceiling by passing the Nipple (B) through the center hole. Thread the Finial (F) to the bottom end of the Nipple (B). Snug down assembly until the Ceiling Canopy (E) is flush against the ceiling.

\* Be sure that there are no trapped or pinched wires along the edge of the Ceiling Canopy (E).

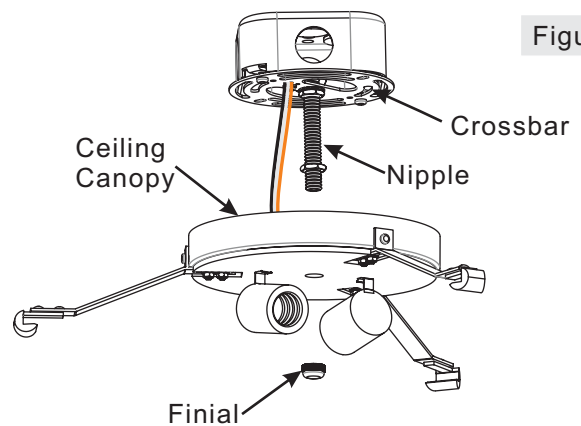


Figure 6

Thank you for purchasing a Quoizel product.

Need assistance with parts or assembly? Call Quoizel customer service at 1-631-273-2700  
or visit us on-line at [www. quozel. com](http://www. quozel. com)

**STEP 6 – Install Bulb**

- A. This fixture uses standard bulb with a medium screw base. Maximum 75 watts.
- B. Insert bulb and screw snugly into place.

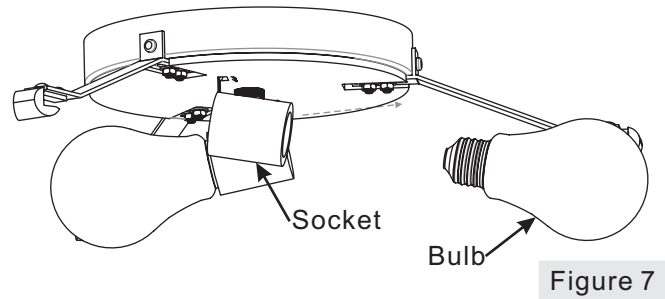


Figure 7

**STEP 7 – Install Shade**

- A. Locate the Shade (G) wedge in the two Shade Holders without Spring. Pull the one Shade Holder with the Spring outside and position the Shade (G) onto the bottom of the Ceiling Canopy (E). The Shade Holder will engage the Shade (G) after release.

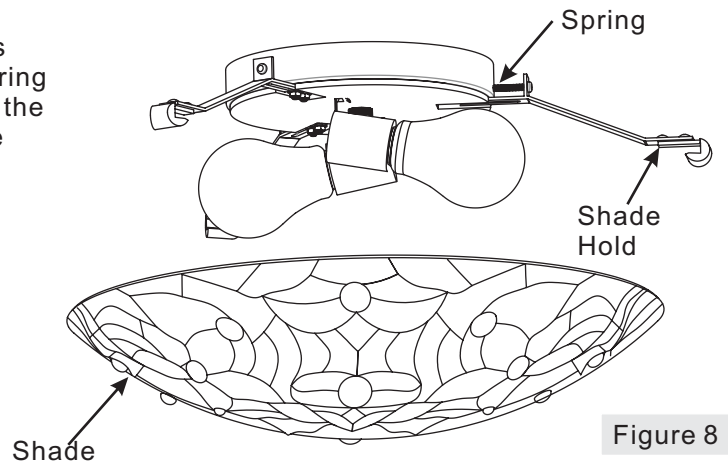


Figure 8

**Thank you for purchasing a Quoizel product.  
Need assistance with parts or assembly? Call Quoizel customer service at 1-631-273-2700  
or visit us on-line at [www. quozel. com](http://www. quozel. com)**