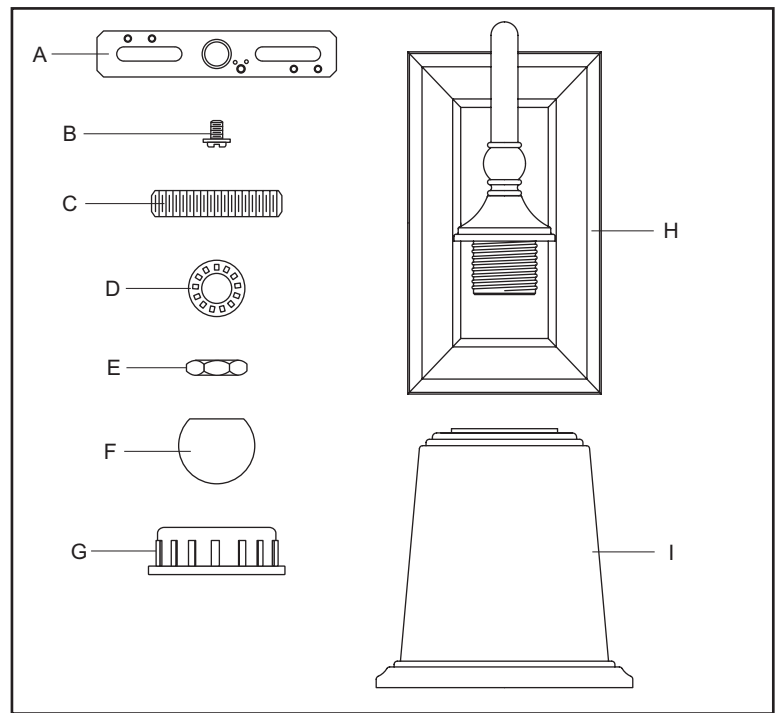


PACKAGE CONTENTS

ISSUED 09-2009

REVISED 2011-03-04

| Part | Description | Quantity |
|------|--------------------|----------|
| A | Crossbar | 1pc |
| B | Green Ground Screw | 1pc |
| C | Nipple | 1pc |
| D | Lock Washer | 1pc |
| E | Hex Nut | 1pc |
| F | Lock Ball | 1pc |
| G | Socket Collar | 1pc |
| H | Fixture Body | 1pc |
| I | Shade | 1pc |



! WARNINGS AND CAUTIONS

WARNING:

- Before beginning the installation, turn off electricity at the circuit breaker box or the main fuse box by switching off the circuit breaker or removing the fuse.

CAUTION:

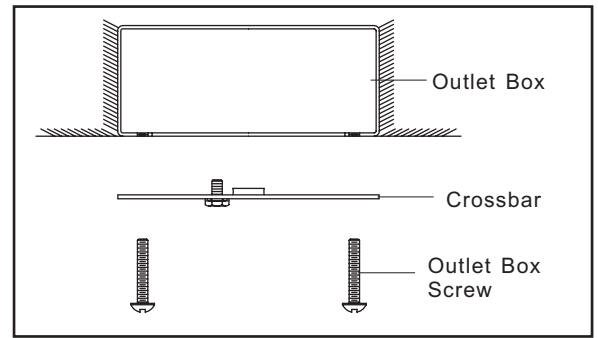
- These instructions are provided for your safety. It is very important that they are read completely before the installation of your fixture. We strongly recommend that a professional electrician install the fixture.
- Disconnect fixture from the power source before replacing the bulb(s), making sure the bulb(s) had sufficient time to cool down. DO NOT subject the lamp to any shock while lit as shattering of lamp may result.

PREPARATION

- Before beginning installation of product, make sure all parts are present. Compare parts with package contents list and diagram above. If any part is missing or damaged, do not attempt to assemble, install or operate the product. Contact customer service for replacement part.
- Estimated Assembly Time : 20 - 30 minutes
- Tools Required for Assembly (not included) : Flathead Screwdriver, Phillips Screwdriver, Pliers, Electrical Tape, Wire Cutters, Safety Glasses & 1, 100 Watt, Type - A Medium Base Bulb.
- Helpful Tools (not included) : Wire Strippers.

STEP 1:

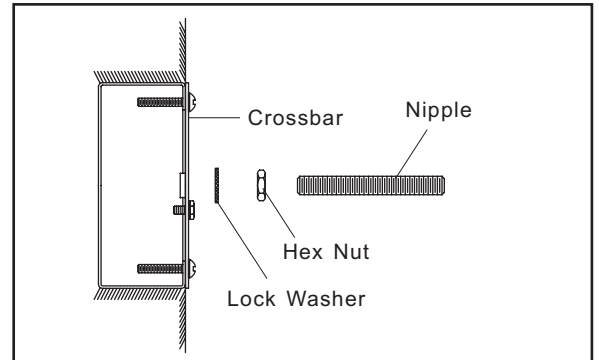
- a. Secure the Crossbar onto the Outlet Box with Outlet Box Screws. Tighten until snug.



STEP 2:

* Pliers is required on this step.

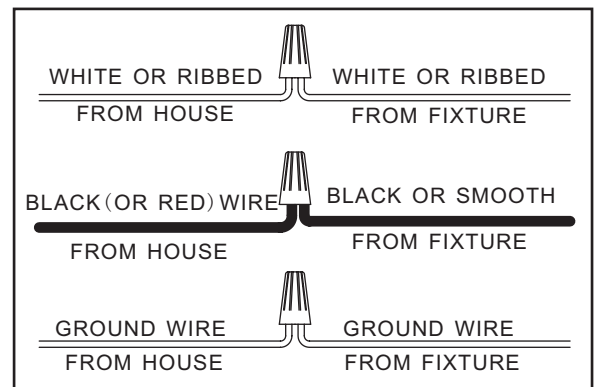
- a. Thread the Hex Nut onto one end of the Nipple.
- b. Place the Lock Washer over the hex nut end of the Nipple and then thread the Nipple into the center lock hole of the Crossbar.
- c. Using pliers, thread the Hex Nut against the Crossbar and hand tighten until snug.



STEP 3:

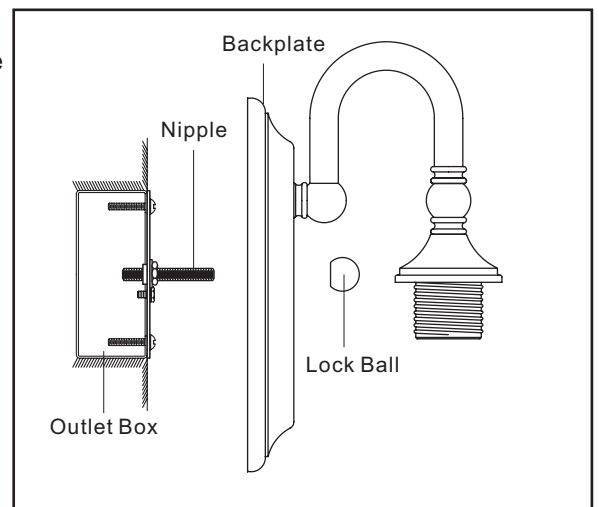
*Use Wire Connectors (not supplied) to connect the wires.

- a. Connect the House Ground Wire to the Fixture Ground Wire.
- b. Connect the House White (or Ribbed) Wire to the Fixture Supply Wire (White or Ribbed Side).
- c. Connect the House Black (or Red) Wire to the Fixture Supply Wire (Black or Smooth Side).
- d. Wrap each connection with approved electrical tape and carefully stuff all of the connected wires into the Outlet Box.



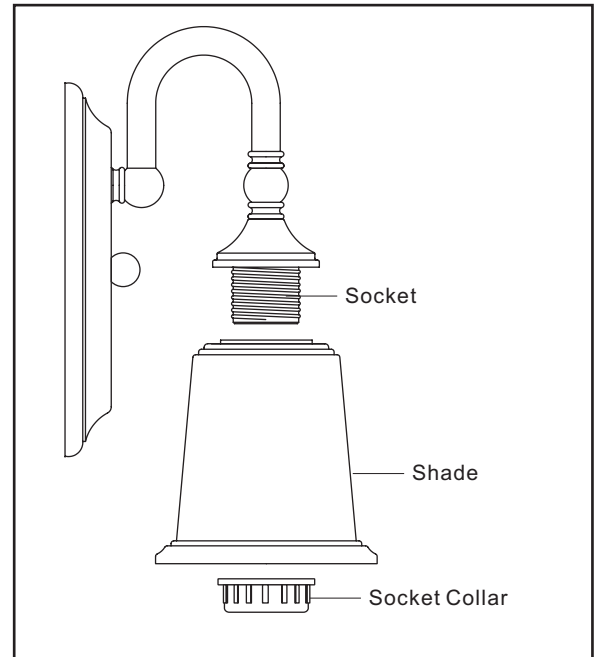
STEP 4:

- a. Place the Backplate over the Outlet Box as shown. Secure by threading the Lock Ball onto the Nipple. Hand tighten until snug.



STEP 5 :

- a. Pass the Shade over the Socket and secure with the Socket Collar. Hand tighten until snug.



STEP 6:

- a. Install correct Bulbs referring to fixture markings and/or labels for maximum wattage.

Your installation is completed now. Restore electricity. Retain this sheet for future reference.