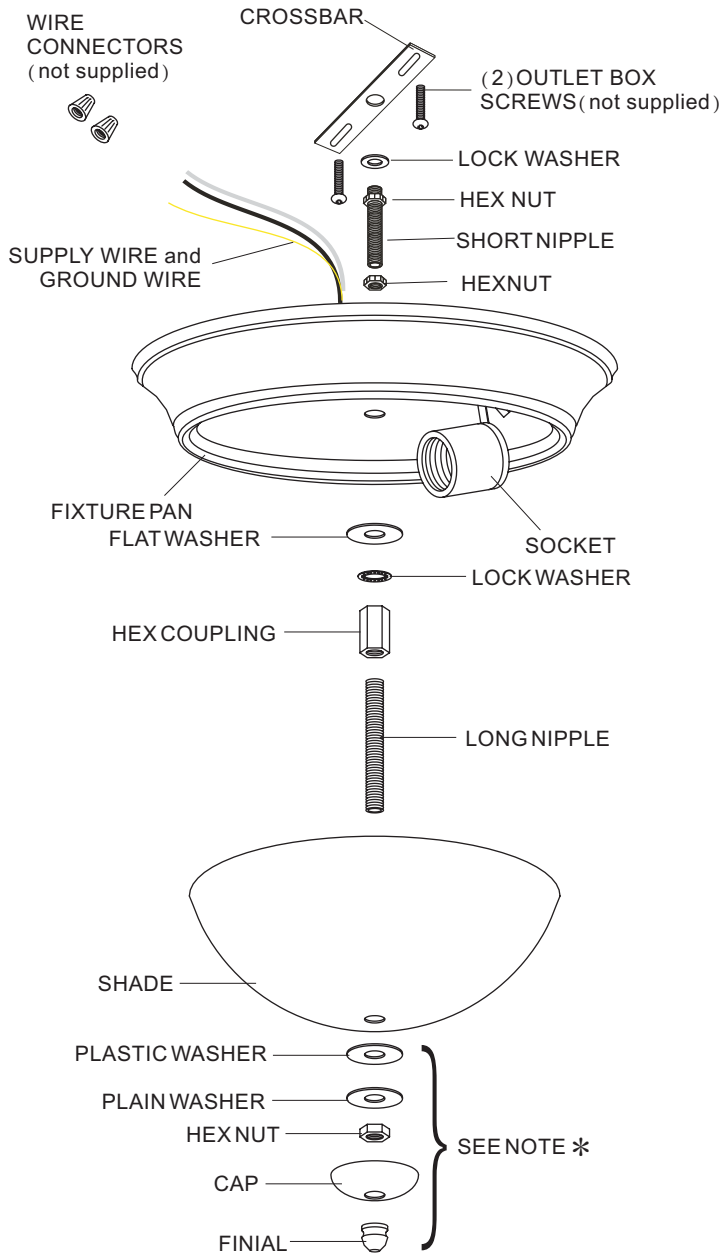


INSTALLATION INSTRUCTIONS



**IF IN DOUBT ABOUT ELECTRICAL
 INSTALLATION, CONSULT A
 LICENSED ELECTRICIAN!**

1. Before beginning the installation, carefully unpack and identify all parts, referring to the illustration. This instruction sheet covers one, two and three light luminaries, even though a one light is shown.

2. Turn power OFF to the installation point at circuit breaker.

3. Locate the CROSSBAR and attach it to the OUTLET BOX using (2) OUTLET BOX SCREWS (not supplied). Locate the shorter NIPPLE and thread one HEX NUT onto it about half way. Slip a LOCK WASHER onto it and thread one end of the short NIPPLE into the center hole of the CROSSBAR. Position the FIXTURE PAN over the outlet box, passing the MOUNTING HOLE in the center of the FIXTURE PAN over the end of NIPPLE. Adjust the NIPPLE so approx. 3/8" inch of the NIPPLE is protruding from the MOUNTING HOLE. This adjustment may take a few tries. When this length is achieved, remove the FIXTURE PAN and tighten the HEX NUT up against the underside of the CROSSBAR with pliers. Next, thread another HEX NUT onto the other end of the nipple. Thread this HEX NUT on just enough so the inside surface of the pan rests against it. You may have to trial fit the FIXTURE PAN one more time to insure this distance also. This HEX NUT is needed here to prevent you from crushing down the center of the FIXTURE PAN in Step 4.

3. MAKING THE CONNECTIONS:

Position the FIXTURE PAN over the outlet box. Using wire connectors (not supplied) connect the HOUSE GROUND WIRE to the FIXTURE GROUND WIRE; connect the HOUSE WHITE WIRE to the FIXTURE SUPPLY WIRE (WHITE SIDE); connect the HOUSE BLACK (or RED) WIRE to the FIXTURE SUPPLY WIRE (BLACK SIDE). Wrap each connection with approved electrical tape and carefully stuff all of the connected wires into the OUTLET BOX.

4. Secure the FIXTURE PAN to ceiling by passing the NIPPLE through the MOUNTING HOLE, then slip on the FLAT WASHER and the LOCK WASHER and then thread the HEX COUPLING to the bottom end of the NIPPLE. Snug down assembly until the FIXTURE PAN is flush against the ceiling. Be sure that there are no trapped or pinched wires along the edge of the pan. Next, thread the longer NIPPLE into the HEX COUPLING for the SHADE installation in Step 6.

5. Install the correct bulb (s) referring to fixture markings and/or labels for the maximum wattage.

6. Next, position the SHADE under the FIXTURE PAN and align the center hole at the bottom of the SHADE with the LONG NIPPLE. Pass the SHADE over the LONG NIPPLE and secure the SHADE with the CAP/FINIAL provided. Hand tighten CAP/FINIAL until snug.

* PLEASE NOTE: DEPENDING ON THE STYLE PURCHASED, YOUR FIXTURE MAY OR MAY NOT HAVE THE EXACT SHADE MOUNTING PARTS PICTURED. DUE TO THE NUMBER OF STYLES AVAILABLE, THIS INSTRUCTION SHEET MAY SHOW PARTS YOU MAY OR MAY NOT NEED FOR SHADE SECUREMENT. SEE ILLUSTRATION TO JUSTIFY THE PARTS YOU MAY HAVE IN YOUR PARTS BAG.

7. Restore power to the installation point ON. Keep this sheet for future reference.