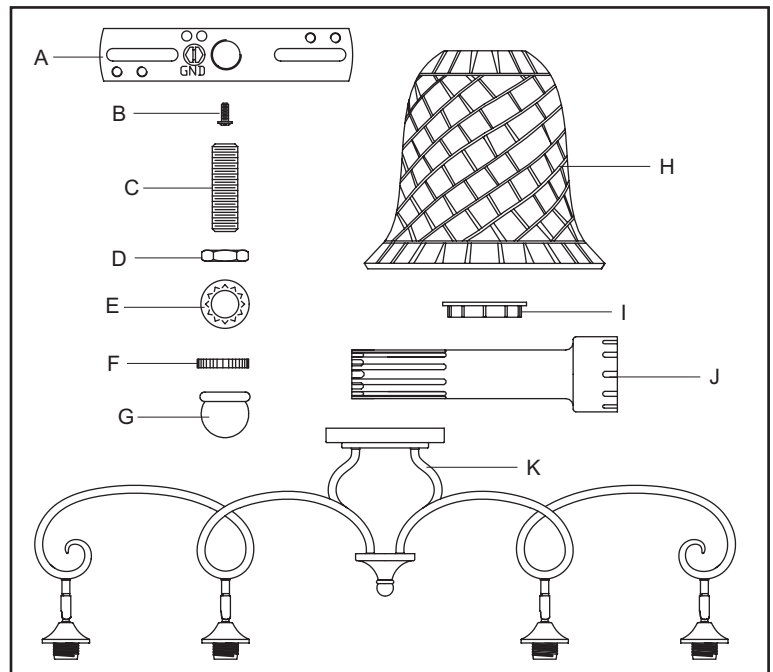


PACKAGE CONTENTS

ISSUED 12-2010

REVISED 2011-03-21

PART	DESCRIPTION	QUANTITY
A	Crossbar	1 pc
B	Green Ground Screw	1 pc
C	Nipple	1 pc
D	Hex Nut	2 pcs
E	Lock Washer	2 pcs
F	Knurled Nut	1 pc
G	Mounting Ball	1 pc
H	Shade	4 pcs
I	Socket Collar	4 pcs
J	Socket Collar Tool	1 pc
K	Fixture Body	1 pc



! WARNINGS AND CAUTIONS

WARNING:

- Before beginning the installation, turn off electricity at the circuit breaker box or the main fuse box by switching off the circuit breaker or removing the fuse.

CAUTION:

- These instructions are provided for your safety. It is very important that they are read completely before the installation of your fixture. We strongly recommend that a professional electrician install the fixture.
- Disconnect fixture from the power source before replacing the bulb(s), making sure that bulb(s) had sufficient time to cool down. DO NOT subject the lamp to any shock while lit as shattering of lamp may result.

PREPARATION

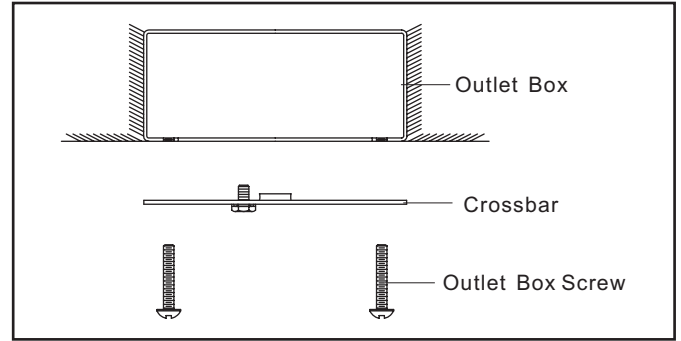
- Before beginning installation of product, make sure all parts are present. Compare parts with package contents list and diagram above. If any part is missing or damaged, do not attempt to assemble, install or operate the product. Contact customer service for replacement part.
- Estimated Assembly Time: 30 - 45 minutes
- Tool Required for Assembly (not included): Flathead screwdriver, Phillips screwdriver, Pliers, Electrical tape, Wire cutter, Safety glasses and (4) 100W A19 Medium Base bulbs.
- Helpful Tools (not included): Wire strippers.

INSTALLATION INSTRUCTIONS

STYLE NUMBER: MY1404ML

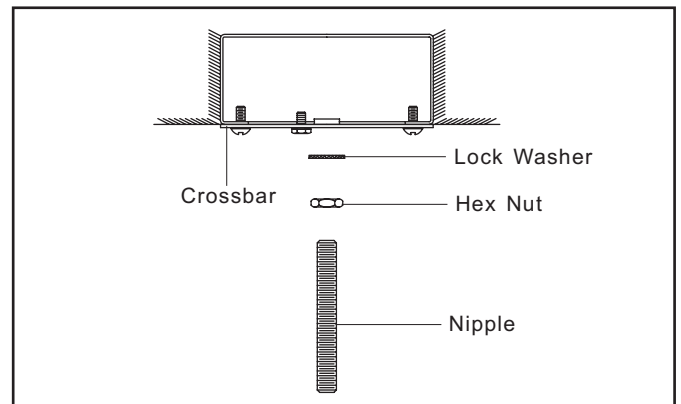
STEP 1:

- a. Secure the Crossbar to the Outlet Box with Outlet Box Screws. Hand-tighten until snug.



STEP 2:

- ★ Pliers is required on this step.
- a. Thread one Hex Nut onto top end of the Nipple.
 - b. Place one Lock Washer over the top end of the Nipple and then thread the Nipple into the center lock hole of the Crossbar.
 - c. Using pliers, thread the Hex Nut against the Crossbar and hand-tighten until snug.

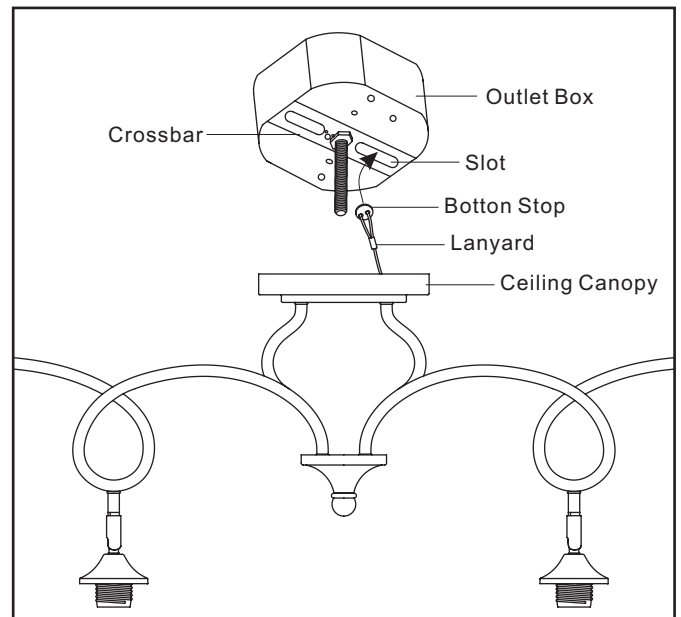


STEP 3:

Install the Lanyard.

The purpose of the lanyard is to provide the installer a means to support the fixture from the junction box while connecting the electrical wires. This enables the fixture to hang from the junction box and your hands are free to make the wire connections.

- a. Turn the Button Stop so it may be inserted into the Crossbar slot. Make sure the Button Stop is completely inside the Crossbar. Slowly release the fixture to make sure it is supported by the Button Stop.
- b. Proceed to Step 4 for the wiring steps.
- c. Once you are complete with the wiring there is nothing to do with Lanyard. The Lanyard will push into the Outlet Box when the fixture is placed for final mounting.

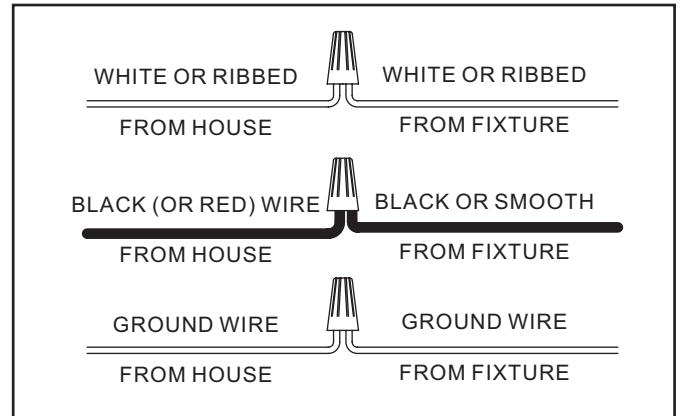


INSTALLATION INSTRUCTIONS

STYLE NUMBER: MY1404ML

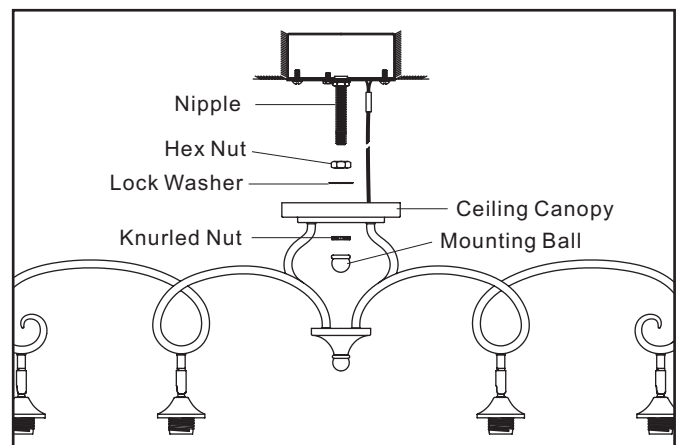
STEP 4:

- * Use Wire Connectors (not supplied) to connect the wires.
- a. Connect the House Ground Wire to the Fixture Ground Wire.
- b. Connect the House White (or Ribbed) Wire to the Fixture Supply Wire (Black or Smooth Side).
- c. Connect the House Black (or Red) Wire to the Fixture Supply Wire (Black or Smooth Side).
- d. Wrap each connection with approved electrical tape and carefully stuff all of the connected wires into the Outlet Box.



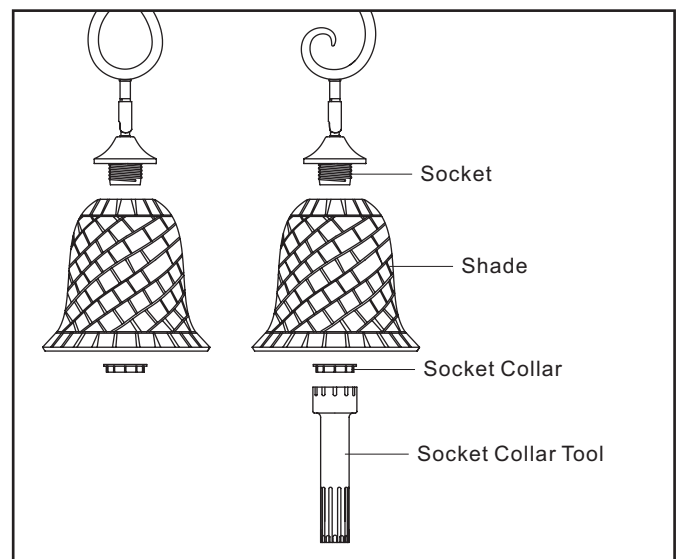
STEP 5:

- a. Screw the Hex Nut onto the end of the Nipple and adjust to proper location for Lock Washer, Ceiling Canopy, Knurled Nut and Mounting Ball.
- b. Pass the Lock Washer and the Ceiling Canopy over the end of the Nipple and secure with the Knurled Nut. Hand-tighten until snug.
- c. Thread the Finial onto the end of the Nipple and hand tighten until snug.



STEP 6:

- a. Place the Shade over the Socket as shown. Using the Socket Collar Tool, thread the Socket Collar onto the Socket to secure the Shade. Hand-tighten until snug.



STEP 7:

- a. Install correct Bulbs referring to fixture markings and/or labels for maximum wattage.

Your installation is completed now. Restore electricity. Retain this sheet for future reference.