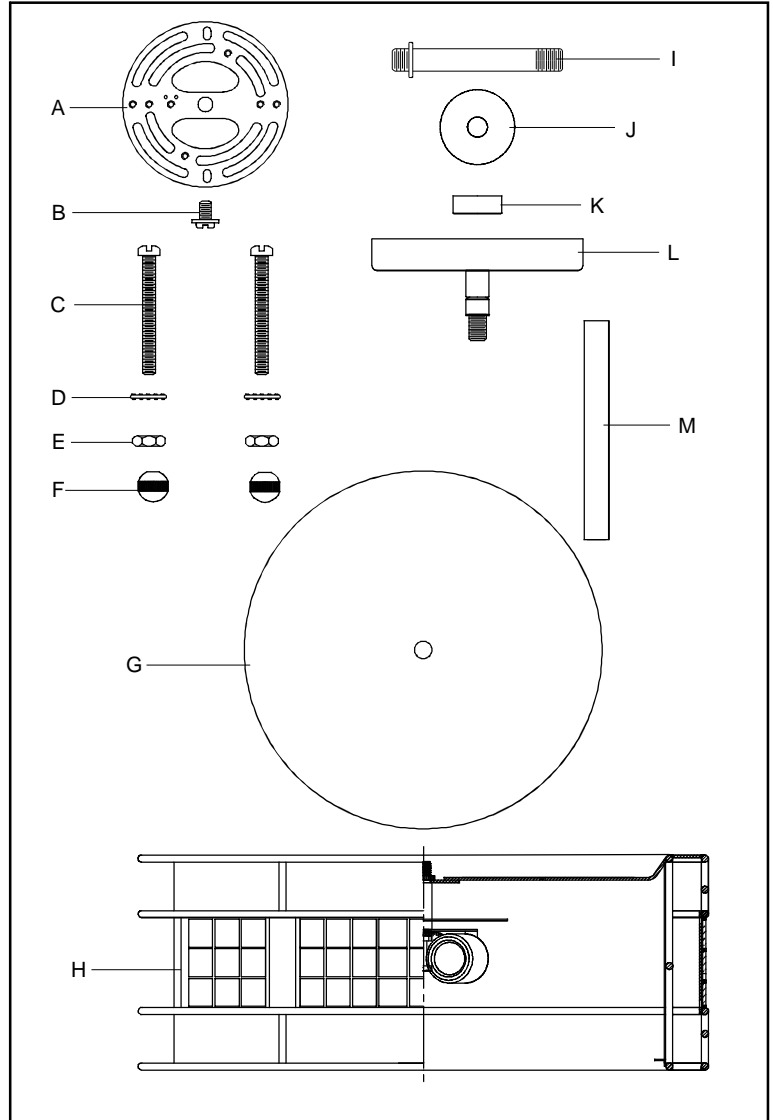


PACKAGE CONTENTS

ISSUED 03-2011

REVISED 2014-01-21

PART	DESCRIPTION	QUANTITY
A	Crossbar	1 pc
B	Green Ground Screw	1 pc
C	Mounting Screw	2 pcs
D	Lock Washer	2 pcs
E	Hex Nut	2 pcs
F	Mounting Ball	2 pcs
G	Diffuser	1 pc
H	Shade Assembly	1 pc
I	Stem	1 pc
J	Rubber Washer	1 pc
K	Finial	1 pc
L	Ceiling Canopy	1 pc
M	Center Stem	1 pc



! WARNINGS AND CAUTIONS

WARNING:

- Before beginning the installation, turn off electricity at the circuit breaker box or the main fuse box by switching off the circuit breaker or removing the fuse.

CAUTION:

- These instructions are provided for your safety. It is very important that they are read completely before the installation of your fixture. We strongly recommend that a professional electrician install the fixture.
- Disconnect fixture from the power source before replacing the bulb(s), making sure that bulb(s) had sufficient time to cool down. DO NOT subject the lamp to any shock while lit as shattering of lamp may result.

PREPARATION

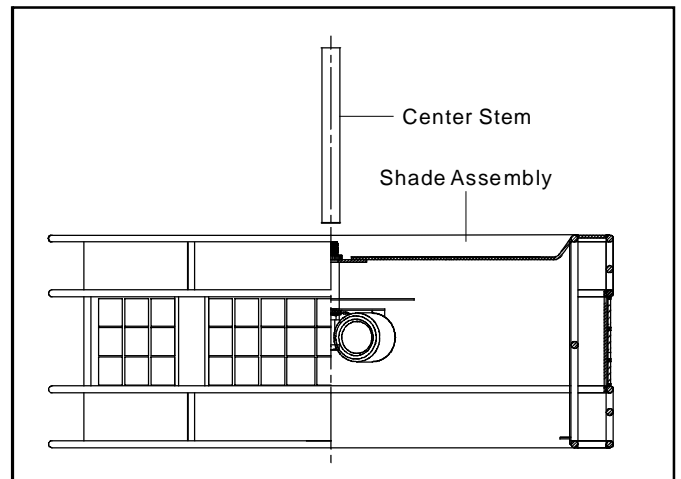
STYLE NUMBER: MC842SRC

- Before beginning installation of product, make sure all parts are present. Compare parts with package contents list and diagram above. If any part is missing or damaged, do not attempt to assemble, install or operate the product. Contact customer service for replacement part.
- Estimated Assembly Time: 30 - 45 minutes
- Tool Required for Assembly (not included): Flathead screwdriver, Phillips screwdriver, Pliers, Electrical tape, Wire cutter, Safety glasses and (3) 60W Type-A medium base bulbs.
- Helpful Tools (not included): Wire strippers.

INSTALLATION INSTRUCTIONS

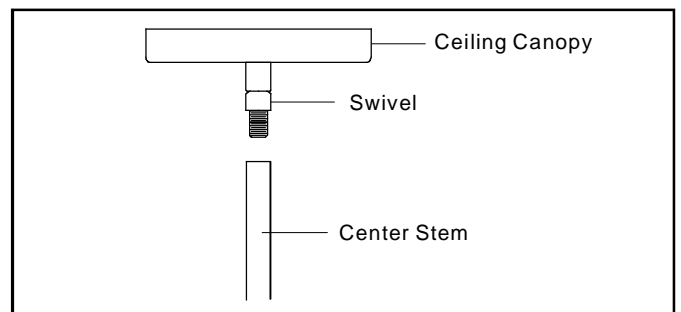
STEP 1:

- a. Thread the Center Stem onto the nipple in the top center of the Shade Assembly. Hand-tighten until snug.



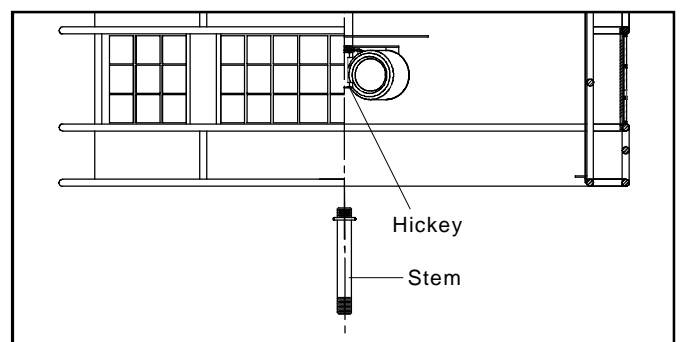
STEP 2:

- a. Thread the Swivel on the bottom center of the Ceiling Canopy into the top end of the Center Stem and hand tighten until snug.



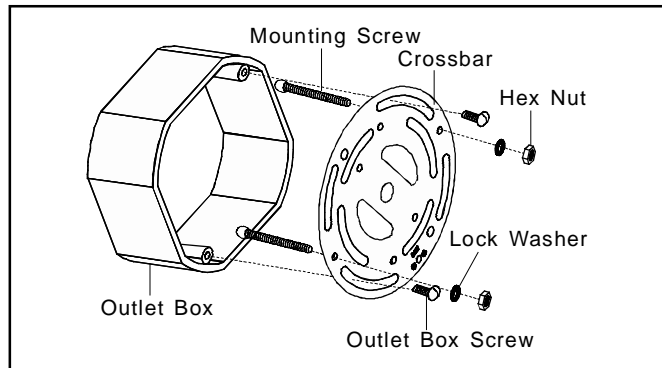
STEP 3:

- a. Thread the beaded end of the Stem into the Hickey underside of the Socket Assembly. Hand tighten until snug.



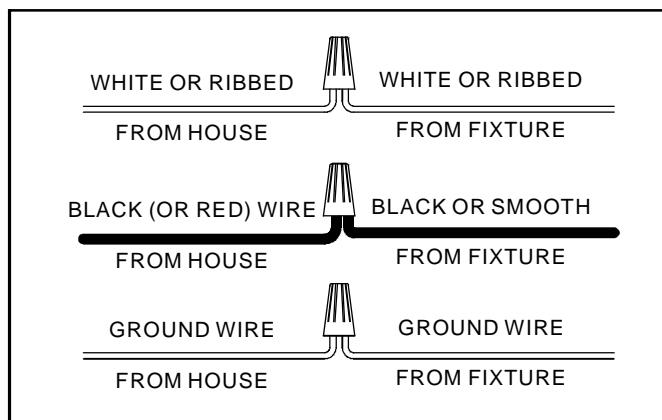
STEP 4:

- a. Screw the Mounting Screws into the Crossbar, place the Lock Washers over the Mounting Screws and thread the Hex Nuts onto the Mounting Screws as shown. Secure the position of the Mounting Screws by tightening the Hex Nuts against the Crossbar.
- b. Secure the Crossbar to the Outlet Box with Outlet Box Screws.



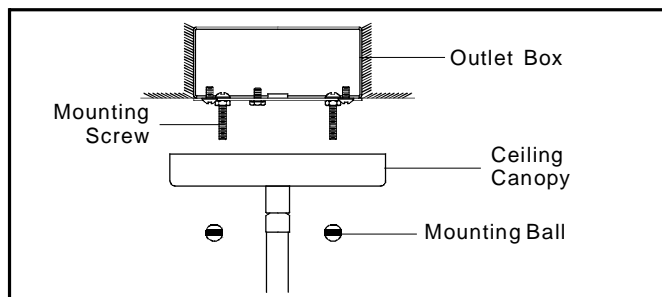
STEP 5:

- * Use Wire Connectors (not supplied) to connect the wires.
- a. Connect the House Ground Wire to the Fixture Ground Wire.
 - b. Connect the House White (or Ribbed) Wire to the Fixture Supply Wire (Black or Smooth Side).
 - c. Connect the House Black (or Red) Wire to the Fixture Supply Wire (Black or Smooth Side).
 - d. Wrap each connection with approved electrical tape and carefully stuff all of the connected wires into the Outlet Box.



STEP 6:

- a. Place the Ceiling Canopy over the Mounting Screws and secure with the Mounting Balls. Hand-tighten until snug.

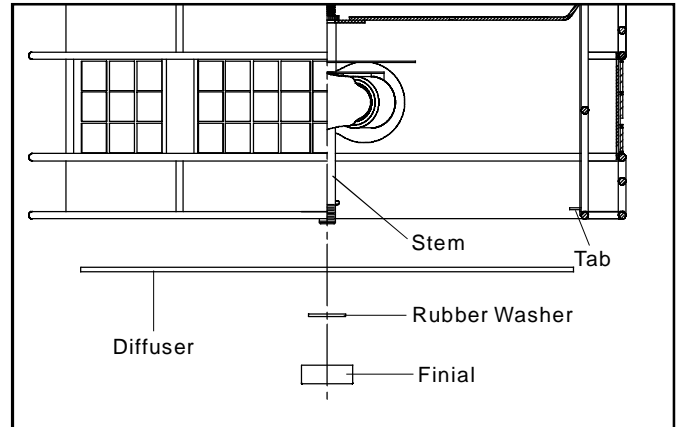


STEP 7:

- a. Install correct bulbs referring to fixture markings and/or labels for maximum wattage.

STEP 8:

- a. Place the Diffuser over the end of the Stem, attach to the Tabs in the bottom edge of the Shade. Pass the Rubber Washer over the end of the Stem and secure with the Finial. Hand tighten until snug.



Your installation is completed now. Restore electricity. Retain this sheet for future reference.