

Quoizel, Inc.  
 6 Corporate Parkway  
 Goose Creek, SC  
 29445

Customer Service  
 Phone 631.273.2700  
 Fax 631.231.7102  
 www. quoizel. com

## Assembly Instruction Sheet #IS-KY6328IB For Style KY6328IB

**Tools Required:** None

**Bulb Recommended:** (2) Medium Base 100 W Maximum

**Estimated Assembly Time:** 15-20 minutes

**Preparation:** Identify and inspect all parts before beginning installation. Check package content list and diagrams below to be sure all parts are present. If any parts are missing or damaged, do not attempt to assemble, install, or operate the fixture. Contact customer service for replacement parts.



### Warnings and Cautions

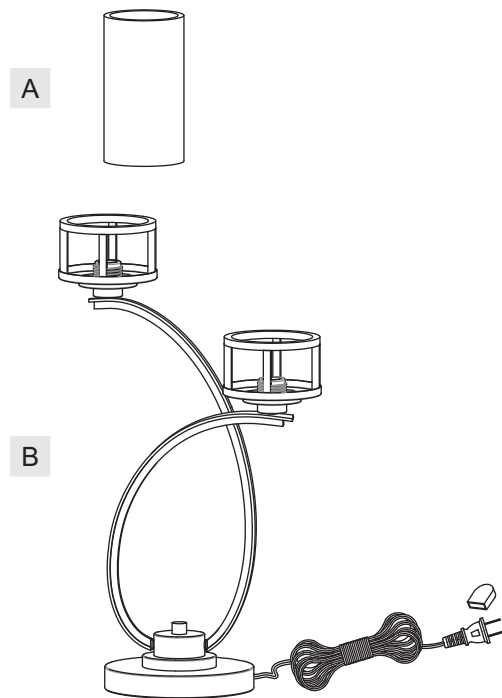
Turn off electricity at circuit breaker or main fuse box before installation. Consult a licensed electrician if in doubt.

These instructions are provided for your safety. It is very important you read them completely before installing the fixture. We strongly recommend that a licensed, professional electrician perform the installation.

Disconnect fixture from power source before replacing bulbs. Make sure bulbs are given sufficient time to cool before removal. Do not subject glass parts to any shock while in operation or shattering may result.

### Package Contents

Part	Description	Quantity
A	Shade	2 pcs.
B	Fixture Body	1 pc.

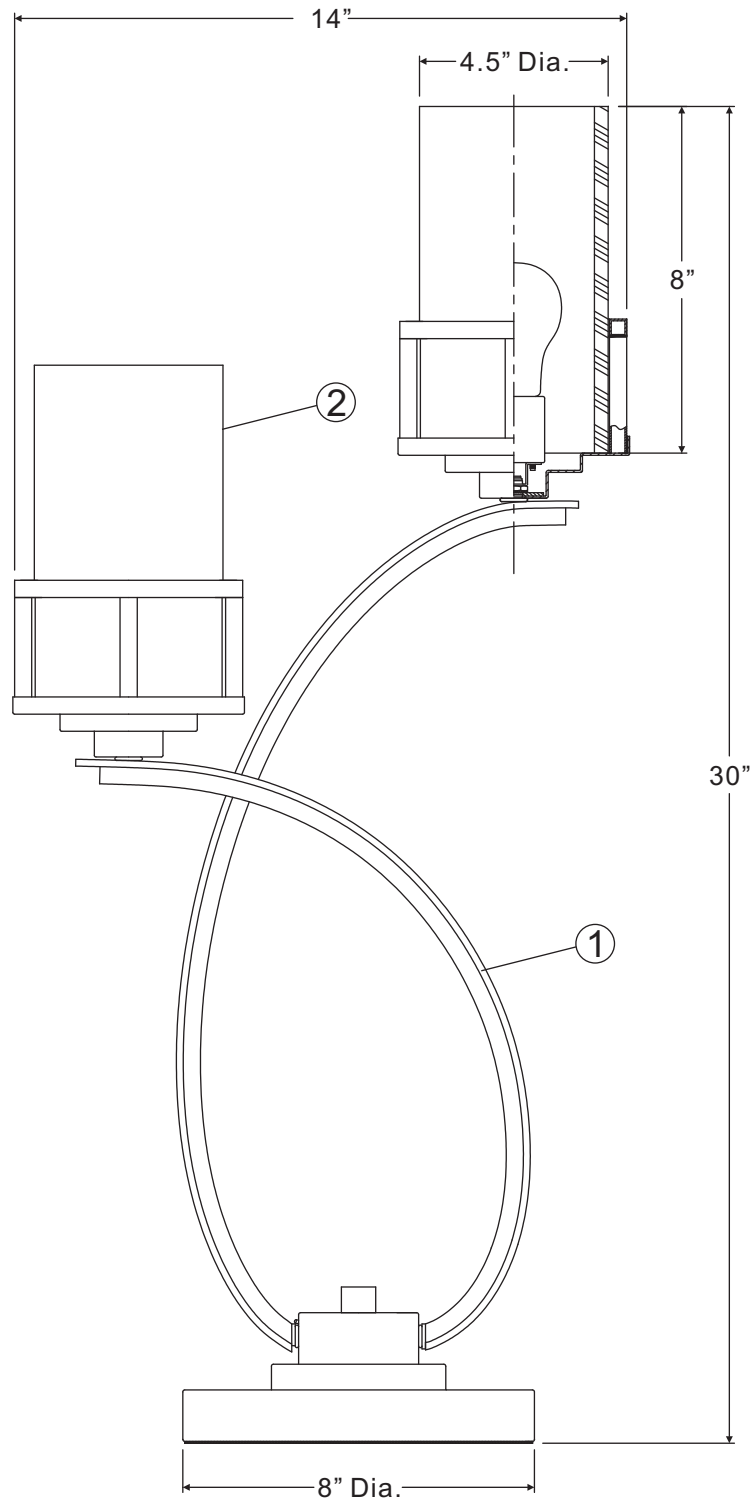


**Thank you for purchasing a Quoizel product.**

**Need assistance with parts or assembly? Call Quoizel customer service at 1-631-273-2700  
 or visit us on-line at [www. quoizel. com](http://www. quoizel. com)**

KY6328IB

FINISH: IMPERIAL BRONZE



(2) 100W  
Medium Base Bulb  
(Not Supplied)

NOTE: ALL DIMENSIONS ARE ROUNDED UP TO THE NEAREST 1/2"

NO.	PART NUMBER	REPLACEMENT PART DESCRIPTION	REQ.
1	16328IBKY	BASE IMPERIAL BRONZE KY6328IB	1
2	G2272SH	SHADE BUTTERSCOTCH ONYX 4.5"D	2

**STEP 1 – Attach Shade to Fixture Body**

- A. Place the Shade (A) setting inside of the Shade Holder on the Fixture Body (B) as shown.

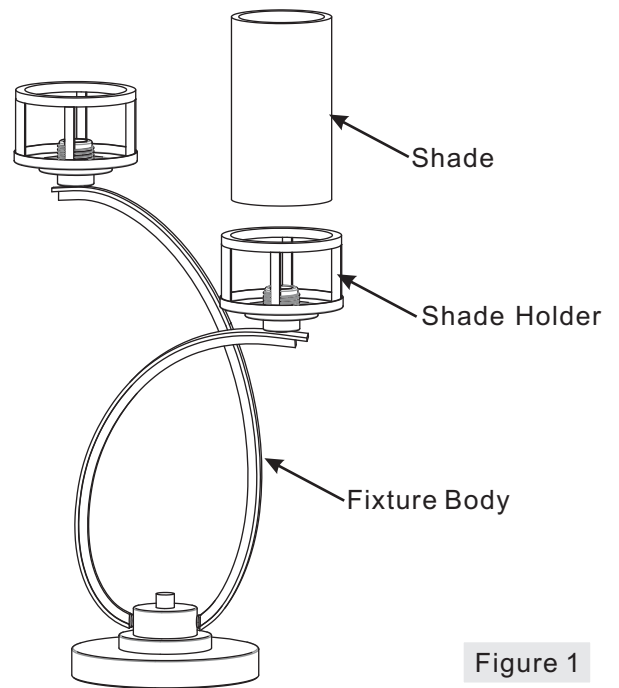


Figure 1

**STEP 2 – Install Bulb**

- A. This fixture uses standard bulbs with medium screw bases. Maximum 100 watts.  
B. Insert bulb and screw snugly into place.

Your fixture is now assembled and ready to use.  
Enjoy!

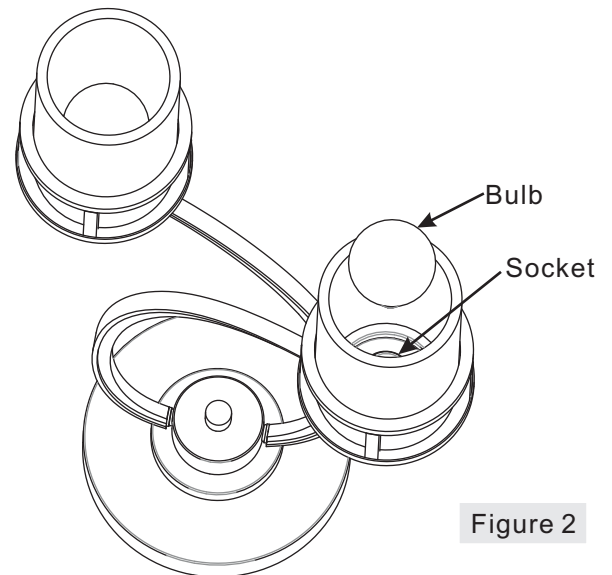


Figure 2

**Thank you for purchasing a Quoizel product.**  
**Need assistance with parts or assembly? Call Quoizel customer service at 1-631-273-2700**  
**or visit us on-line at [www. quozel. com](http://www. quozel. com)**