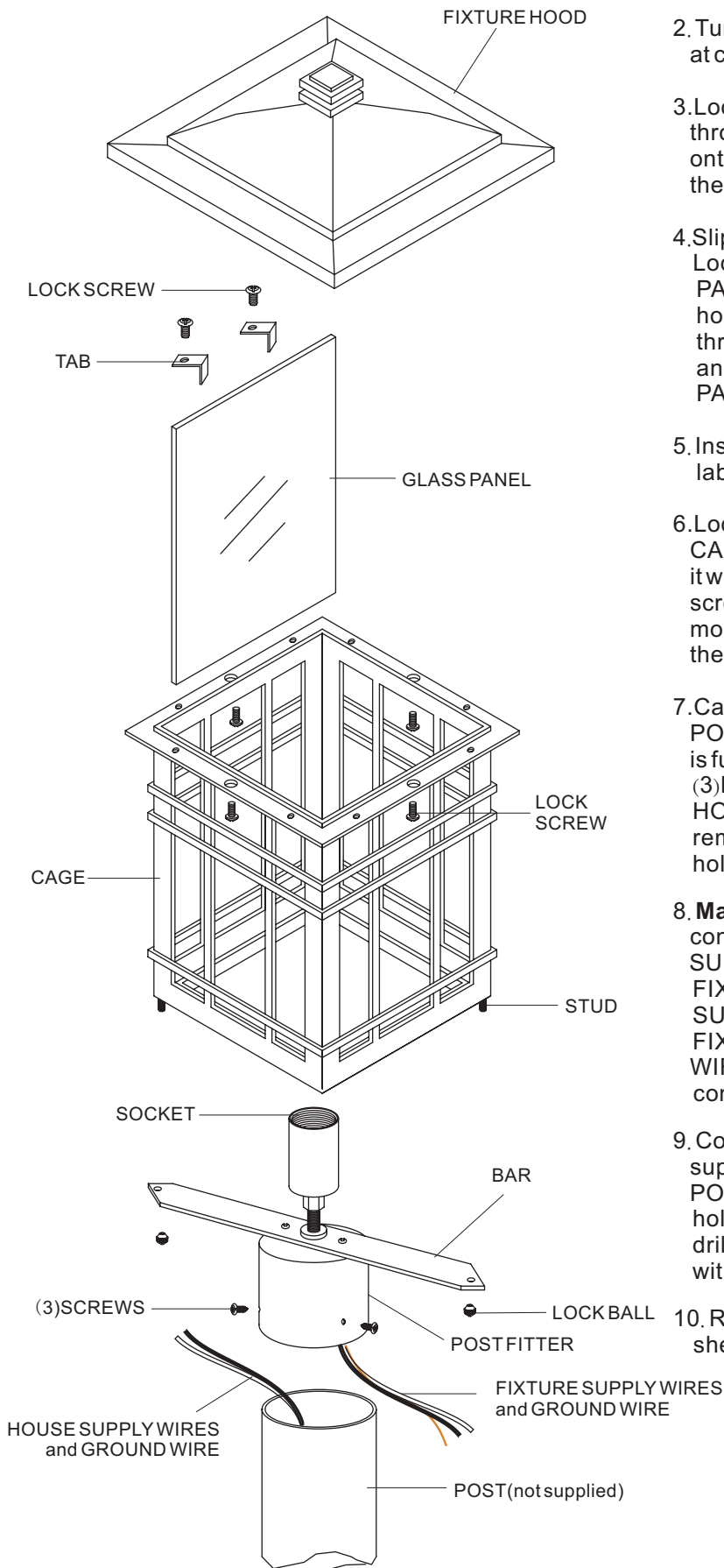


ASSEMBLY/INSTALLATION INSTRUCTIONS:

1. Before beginning the assembly/installation, carefully unpack and identify parts, referring to the illustration.
2. Turn the electrical power to the installation point OFF at circuit breaker.
3. Locate the CAGE onto the BAR and make the STUDS through the holes on the BAR. Thread the LOCK BALLS onto the STUDS and hand tighten until snug to secure the CAGE.
4. Slip down the GLASS PANEL to the inside of the CAGE. Locate the TABS onto the top edge of the GLASS PANEL and match the holes on them with the mounting holes on the top edge of the CAGE. Use screw driver, thread the LOCK SCREWS into the mounting holes and hand tighten until snug to secure the GLASS PANEL.
5. Install the bulb referring to fixture markings and/or labels for maximum wattage.
6. Locate the FIXTURE HOOD onto the top edge of the CAGE and match the mounting holes on the bottom of it with the holes on the top edge of the CAGE. Use screw driver, thread the LOCK SCREWS into the mounting holes and hand tighten until snug to secure them.
7. Carefully fit the POST FITTER over the end of the POST (not supplied), making sure the POST FITTER is fully seated. Mark the drill point for the (3) MOUNTING SCREWS, using (3) MOUNTING HOLES as reference. After marking hole locations, remove FIXTURE from POST and drill 1/8" pilot holes for screws.
8. **Making the wiring connections:** Using wire connectors (not supplied), connect the WHITE SUPPLY WIRE from the POST to the WHITE FIXTURE WIRE; connect the BLACK (or RED) SUPPLY WIRE from the POST to the BLACK FIXTURE WIRE. Connect the SUPPLY GROUND WIRE to the FIXTURE GROUND WIRE. Wrap each connection with approved electrical tape.
9. Coat the top 1" of the CLEAR SILICONE CAULK (not supplied) and position the POST FITTER onto the POST. Be sure to seat it completely, aligning the holes in the FITTER with the 1/16" PILOT HOLES drilled into the POST. Secure the FIXTURE to POST with (3) MOUNTING SCREWS (supplied).
10. Restore power to installation point ON. Retain this sheet for future reference.



**IF IN DOUBT ABOUT ELECTRICAL INSTALLATION,
CONSULT A LICENSED ELECTRICIAN!**