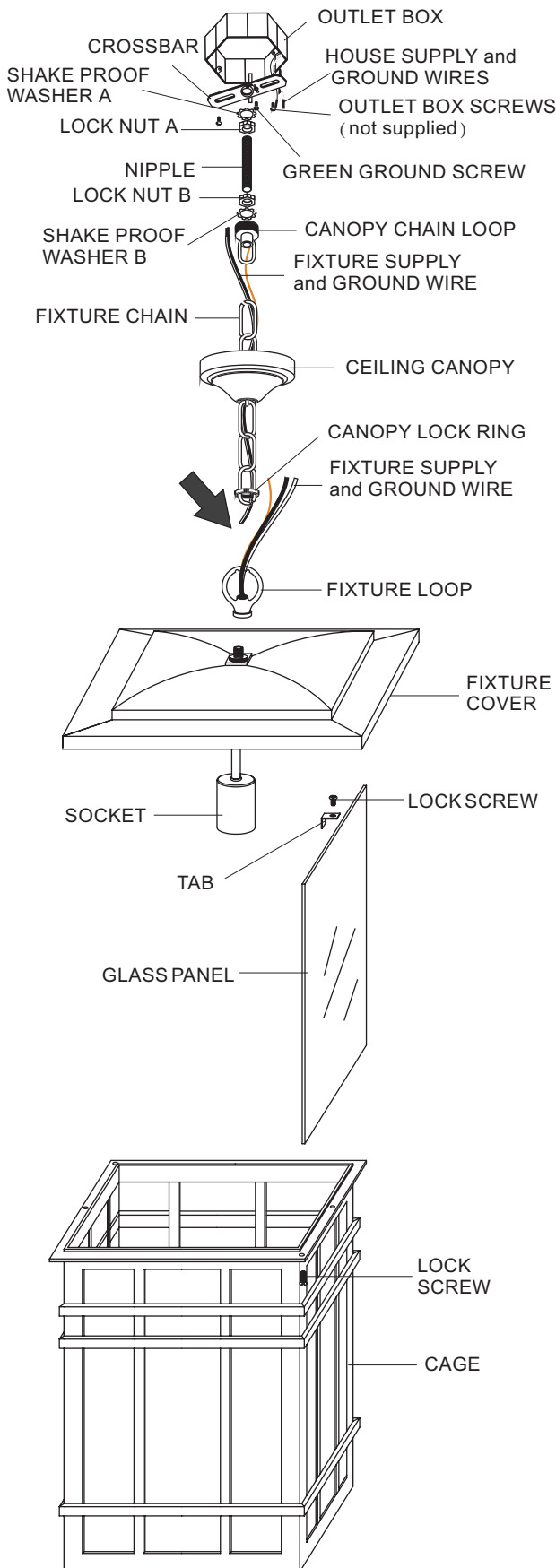


ASSEMBLY/INSTALLATION INSTRUCTIONS



1. Before beginning the installation, carefully unpack and identify all parts, referring to the illustration.
2. Turn power to the installation point OFF at circuit breaker.
3. Slip down the GLASS PANEL inside of CAGE. Locate TAB onto the top edge of GLASS PANEL and match the hole on it with mounting hole on the top edge of CAGE. Thread LOCK SCREW into the mounting hole and hand tighten until snug to secure it. Repeat this progress to complete the rest GLASS PANELS.
4. Position FIXTURE COVER onto the top edge of CAGE and match the mounting hole inside of it with holes on the top corners of CAGE. Secure them together by threading LOCK SCREWS into the mounting holes. Hand tighten until snug. Proceed to thread FIXTURE LOOP onto the nipple on the top center of FIXTURE COVER. Hand tighten until snug.
5. Fasten the CROSSBAR to the OUTLET BOX with (2) OUTLET BOX SCREWS(not supplied). Proceed to thread LOCK NUT A and SHAKE PROOF WASHER A onto the top end of NIPPLE. Thread NIPPLE into the center of CROSSBAR. Locate the LOCK NUT B onto the bottom end of the NIPPLE. Tighten LOCK NUT A against CROSSBAR with plier until snug.
6. Locate the FIXTURE CHAIN and determine desired hanging height of fixture. Adjust chain by removing links if needed. Please note that depending on chain material thickness, you might be required to use chain pliers to spread links open. Proceed to attach one end of chain to FIXTURE LOOP, attached to top of fixture. Pass the fixture wires through FIXTURE CHAIN alternating links. Proceed to pass the fixture wires through the following mounting components in this order: 1) CANOPY LOCK RING; 2) CEILING CANOPY; 3) CANOPY CHAIN LOOP; 4) SHAKE PROOF WASHER B and LOCK NUT B; 5) NIPPLE; 6) LOCK NUT A and SHAKE PROOF WASHER A.
7. **Making the connections:**
 (2 people recommended for the remaining steps) Position the fixture under the ceiling mounted outlet box. Pass SHAKE PROOF WASHER B over the NIPPLE. Thread CANOPY CHAIN LOOP onto NIPPLE. Thread LOCK NUT B down the NIPPLE, against the CANOPY CHAIN LOOP and snug with pliers. Pass the wires through the NIPPLE. Take up wire slack and trim wires so that approx. 6" will remain inside outlet box. Proceed to attach the top of the FIXTURE CHAIN to the bottom of the CANOPY CHAIN LOOP. Using wire connectors (not supplied) connect the HOUSE GROUND WIRE to the FIXTURE GROUND WIRE; connect the HOUSE WHITE WIRE to the FIXTURE SUPPLY WIRE (WHITE or RIBBED SIDE); connect the HOUSE BLACK (or RED) WIRE to the FIXTURE SUPPLY WIRE (BLACK or SMOOTH SIDE). Wrap each connection with approved electrical tape.
8. With the proper connections made, proceed to push the CEILING CANOPY upward over the OUTLET BOX. Be sure that all wires are carefully tucked into the OUTLET BOX cavity. Secure canopy against ceiling by threading CANOPY LOCK RING onto the CANOPY LOOP. Tighten until snug.
9. Install bulb referring to fixture markings and/or labels for maximum wattage.
10. Restore power to the installation point ON. Retain this sheet for future reference.

**IF IN DOUBT ABOUT ELECTRICAL INSTALLATION,
 CONSULT A LICENSED ELECTRICIAN!**