

Tools Required: Flathead screwdriver, Phillips screwdriver, pliers, wire cutters, wire strippers, electrical tape, safety glasses.

Bulb Recommended: (1) Medium Base 150W Maximum, Alternate bulb (1) 42W CFL

Estimated Assembly Time: 30-45 minutes

Preparation: Identify and inspect all parts before beginning installation. Check package content list and diagrams below to be sure all parts are present. If any parts are missing or damaged, do not attempt to assemble, install, or operate the fixture. Contact customer service for replacement parts.

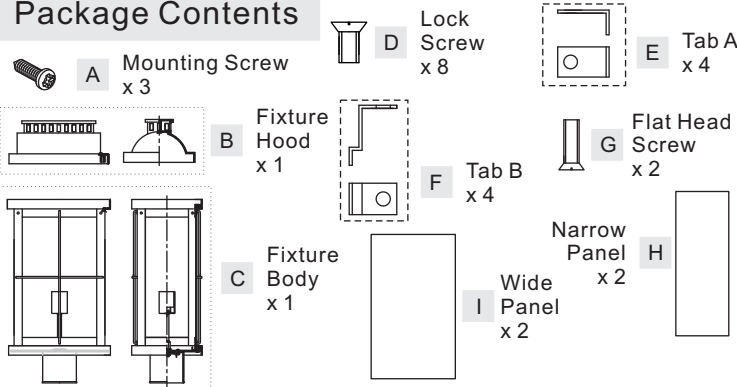
⚠ Warnings and Cautions

Turn off electricity at circuit breaker or main fuse box before installation. Consult a licensed electrician if in doubt.

These instructions are provided for your safety. It is very important you read them completely before installing the fixture. We strongly recommend that a licensed, professional electrician perform the installation.

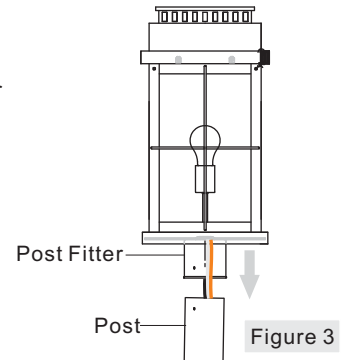
Disconnect fixture from power source before replacing bulbs. Make sure bulbs are given sufficient time to cool before removal. Do not subject glass parts to any shock while in operation or shattering may result.

Package Contents



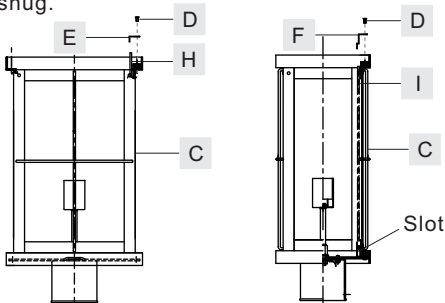
STEP 3 - Drill Pilot Holes on Post

- A. Carefully fit the Post Fitter over the end of the Post (not supplied), making sure the Post Fitter is fully seated.
- B. Mark the drill point for the (3) Mounting Screws, using (3) Mounting Holes as reference. After marking hole locations, remove fixture from post and drill 1/16" pilot holes for screws.



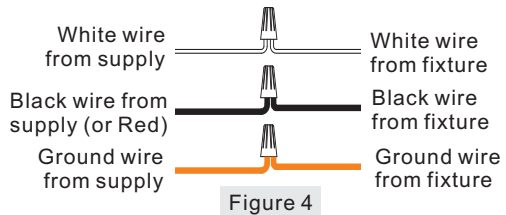
STEP 1 - Install Panels

- A. Insert Narrow Panels (H) into the side of the Fixture Body (C) properly. Attach Tabs A (E) to top edge of Narrow Panels (H) and line up holes on Tabs A (E) to mounting holes on the top edge of the Fixture Body (C). Secure them with Lock Screws (D) and hand tighten until snug.
- B. Insert the Wide Panel (I) into the front of the Fixture Body (C) properly. Attach Tabs B (F) to top edge of the Wide Panel (I) and line up holes on Tabs B (F) to mounting holes on the top edge of the Fixture Body (C). Secure them with Lock Screws (D) and hand tighten until snug.



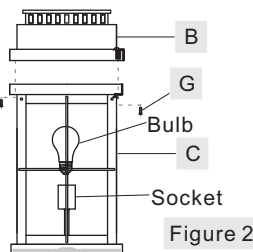
STEP 4 - Wire Connections

- A. Use standard wire connectors (not included) to make all wire connections. (Connectors are not included with fixture.) Twist connectors until wires are tightly joined together. Wrap each connection with approved electrical tape and carefully stuff all the connected wires into the Outlet Box.



STEP 2 - Install Bulb and Fixture Hood

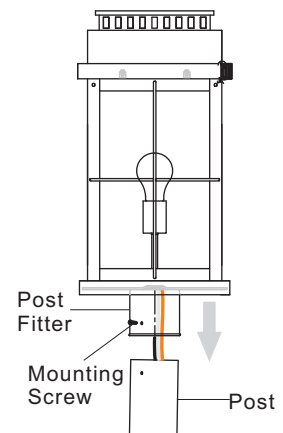
- A. This fixture uses standard bulb with medium screw base. Maximum 150 watts.
- B. Insert bulb and screw snugly into place.
- C. Line up the hole on the Fixture Body (C) and the mounting hole on the Fixture Hood (B), secure by threading Flat Head Screw (G) into mounting hole on the Fixture Hood (B), tighten until snug.



STEP 5 - Attach Fixture Body to Post

- A. Coat the top 1" of the Post with Clear Silicone Caulk (not supplied) and position the Post Fitter onto the Post. Be sure to seat it completely, aligning the holes in the Fitter with the 1/16" Pilot Holes drilled into the Post.
- B. Secure the Fixture to Post with (3) Mounting Screws.

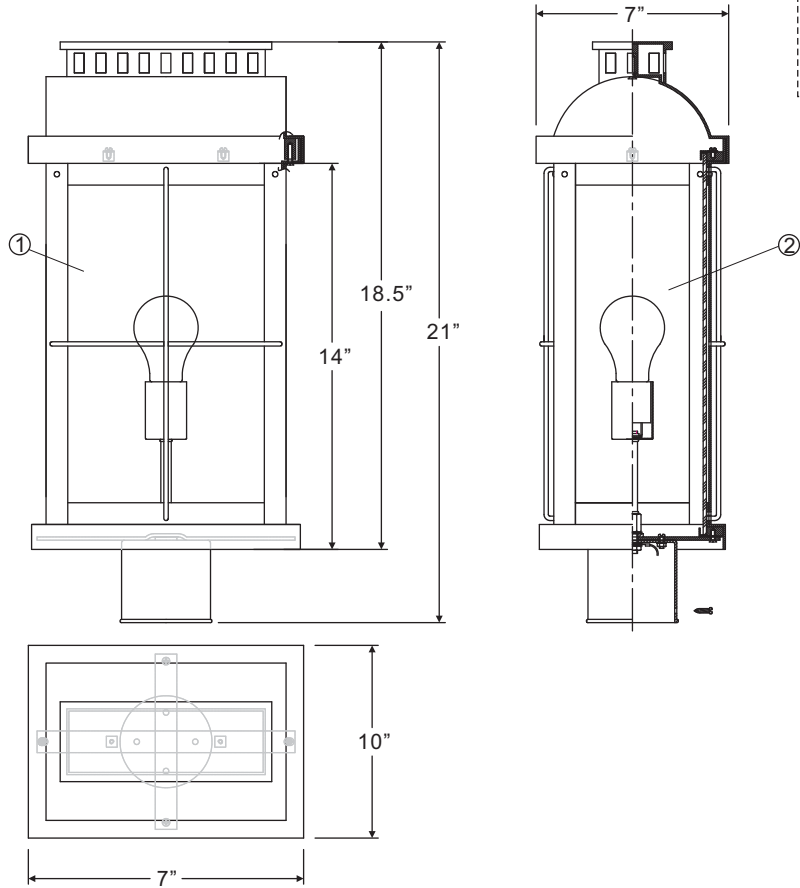
Your fixture is now assembled and ready to use. Enjoy!



**Thank you for purchasing a Quoizel product.
Need assistance with parts or assembly? Call Quoizel customer service at 1-631-273-2700
or visit us on-line at www. quozel. com**

CTD9010IB

FINISH: IMPERIAL BRONZE



(1) 150W Medium Base Bulb (Not Supplied)

NOTE: ALL DIMENSIONS ARE ROUNDED UP TO THE NEAREST 1/2"

| NO. | PART NUMBER | REPLACEMENT PART DESCRIPTION | REQ. |
|-----|-------------|------------------------------|------|
| 1 | G3997PA | PANEL CLEAR WATER GLASS | 2 |
| 2 | G3998PA | PANEL CLEAR WATER GLASS | 2 |

Thank you for purchasing a Quoizel product.
 Need assistance with parts or assembly? Call Quoizel customer service at 1-631-273-2700
 or visit us on-line at www.quoise.com