

**Tools Required:** Flathead screwdriver, Phillips screwdriver, pliers, wire cutters, wire strippers, electrical tape, safety glasses.

**Bulb Recommended:** (1) Medium Base bulb 100W Maximum, Alternate bulb (1) 23WCFL.

**Estimated Assembly Time:** 30-45 minutes

**Preparation:** Identify and inspect all parts before beginning installation. Check package content list and diagrams below to be sure all parts are present. If any parts are missing or damaged, do not attempt to assemble, install, or operate the fixture. Contact customer service for replacement parts.

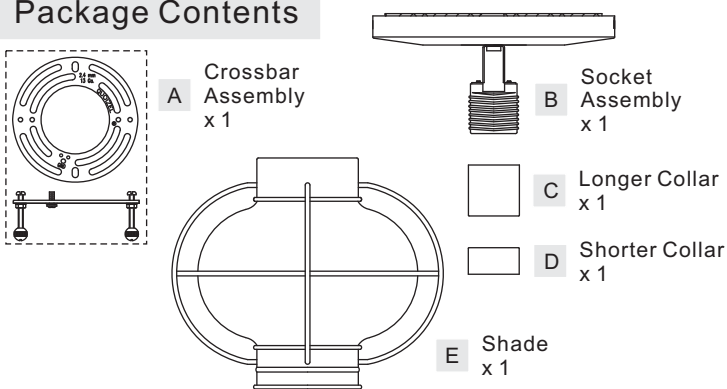
### ⚠ Warnings and Cautions

Turn off electricity at circuit breaker or main fuse box before installation. Consult a licensed electrician if in doubt.

These instructions are provided for your safety. It is very important you read them completely before installing the fixture. We strongly recommend that a licensed, professional electrician perform the installation.

Disconnect fixture from power source before replacing bulbs. Make sure bulbs are given sufficient time to cool before removal. Do not subject glass parts to any shock while in operation or shattering June result.

### Package Contents



connections. (Connectors are not included with fixture.) Twist connectors until wires are tightly joined together. Wrap each connection with approved electrical tape and carefully stuff all the connected wires into the Outlet Box.

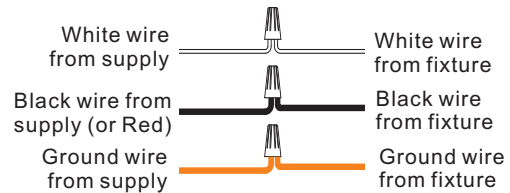


Figure 3

### STEP 4 - Install Socket Assembly

A. Carefully tuck all wires into the outlet box and position the ceiling canopy of Socket Assembly (B) over the outlet box. Align the holes in the ceiling canopy with the mounting screws. Attach Socket Assembly (B) using the mounting balls. Hand tighten until snug.

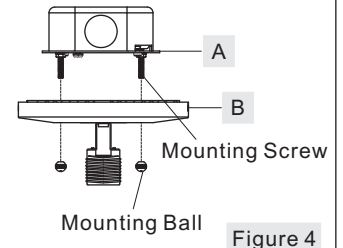


Figure 4

### STEP 1 - Install Crossbar Assembly

A. Pass the supply wires through the Crossbar Assembly (A). Attach the Crossbar Assembly (A) to the Outlet Box with the head of the Green Ground Screw facing you. Secure it with Outlet Box Screws (not included). Tighten until snug.

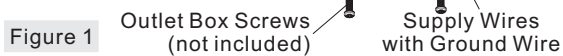


Figure 1

### STEP 2 - Fit Ceiling Canopy to Crossbar Assembly

A. Remove mounting balls from the Crossbar Assembly (A). Fit the ceiling canopy on Socket Assembly (B) to the Crossbar Assembly (A) and secure with mounting balls. Note: The ceiling canopy on Socket Assembly (B) should be snug against the ceiling and the mounting balls. If not, adjust the length of the nipple on the Crossbar Assembly (A) by unscrewing the preassembled hex nut and lock washer and then screwing the mounting screws in or out of the crossbar until the correct length is achieved. Once the ceiling canopy on Socket Assembly (B) is secure, remove the mounting ball and ceiling canopy and proceed to Step 3.

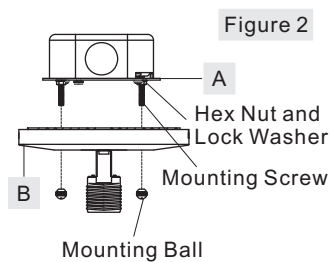


Figure 2

### STEP 5 - Install Shade and Bulb

A. Place Key Holes side of Shade (E) over the socket. Pass Key Holes on the Shade (E) over Mounting Balls and rotate the Shade (E) until it is secured in place.

B. Place Longer Collar (C) over socket and thread Short Collar (D) to socket. Hand tighten until snug.

C. This fixture uses standard bulb with medium base. Maximum 100 watts. Insert bulb and screw snugly into place.

Your fixture is now assembled and ready to use. Enjoy!

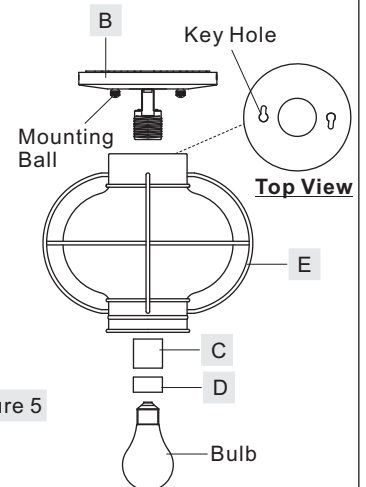


Figure 5

### STEP 3 - Wire Connections

A. Use standard wire connectors (not included) to make all wire

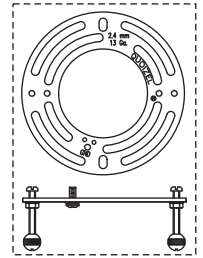
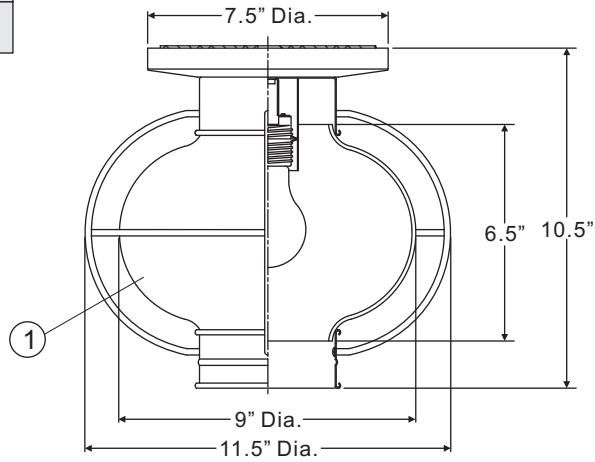
Thank you for purchasing a Quoizel product.  
Need assistance with parts or assembly? Call Quoizel customer service at 1-631-273-2700  
or visit us on-line at [www.quoizel.com](http://www.quoizel.com)

COR1611CU/COR1611K

FINISH: COPPER BRONZE/MYSTIC BLACK



(1) 100W Medium Base Bulb (Not Supplied)



NOTE: ALL DIMENSIONS ARE ROUNDED UP TO THE NEAREST 1/2"

NO.	PART NUMBER	REPLACEMENT PART DESCRIPTION	REQ.
1	G3858SH	SHADE	1

Thank you for purchasing a Quoizel product.  
Need assistance with parts or assembly? Call Quoizel customer service at 1-631-273-2700  
or visit us on-line at [www.quoizel.com](http://www.quoizel.com)