

QUOIZEL

6 CORPORATE PARKWAY  
GOOSE CREEK, SC. 29445  
www. quozel. com

Quozel, Inc.  
6 Corporate Parkway  
Goose Creek, SC  
29445

Customer Service  
Phone 631.273.2700  
Fax 631.231.7102  
www. quozel. com

## Assembly Instruction Sheet #IS-CDY1508BN For Style CDY1508BN

**Tools Required:** Flathead screwdriver, Phillips screwdriver, pliers, wire cutters, wire strippers, electrical tape, safety glasses.

**Bulb Recommended:** (1) Medium Base 100W Maximum

**Estimated Assembly Time:** 20-30 minutes

**Preparation:** Identify and inspect all parts before beginning installation. Check package content list and diagrams below to be sure all parts are present. If any parts are missing or damaged, do not attempt to assemble, install, or operate the fixture. Contact customer service for replacement parts.



### Warnings and Cautions

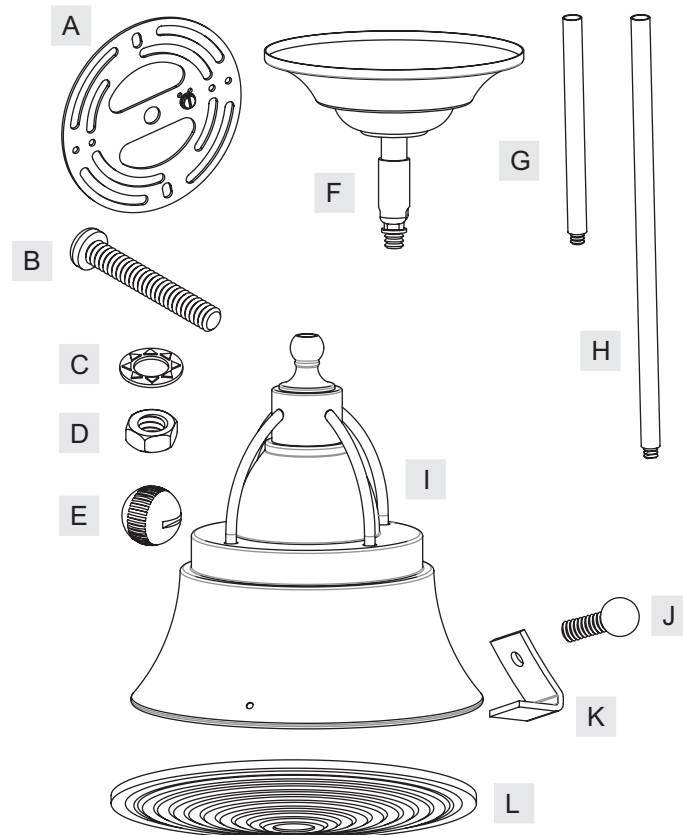
Turn off electricity at circuit breaker or main fuse box before installation. Consult a licensed electrician if in doubt.

These instructions are provided for your safety. It is very important you read them completely before installing the fixture. We strongly recommend that a licensed, professional electrician perform the installation.

Disconnect fixture from power source before replacing bulbs. Make sure bulbs are given sufficient time to cool before removal. Do not subject glass parts to any shock while in operation or shattering may result.

### Package Contents

Part	Description	Quantity
A	Crossbar	1 pc.
B	Mounting Screw	2 pcs.
C	Lock Washer	2 pcs.
D	Hex Nut	2 pcs.
E	Mounting Ball	2 pcs.
F	Ceiling Canopy	1 pc.
G	6" Rod	2 pcs.
H	12" Rod	2 pcs.
I	Shade Assembly	1 pc.
J	Lock Screw	3 pcs.
K	Tab	3 pcs.
L	Diffuser	1 pc.

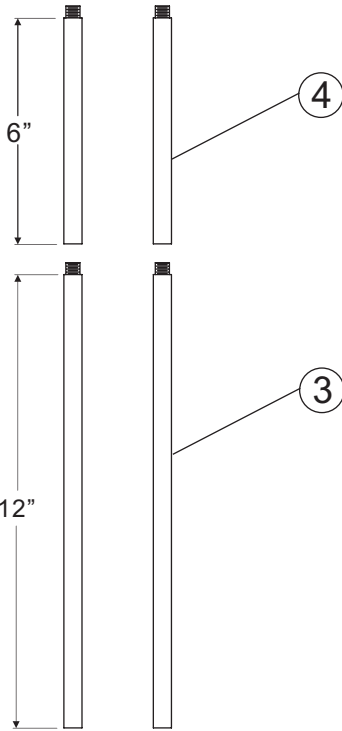
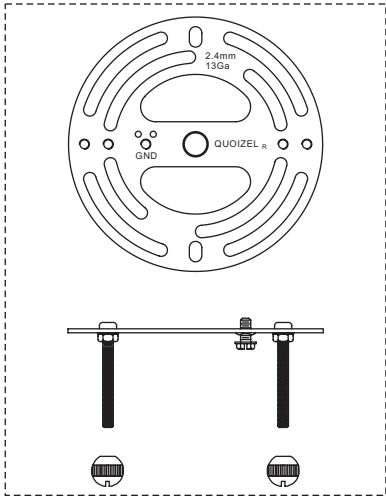


Thank you for purchasing a Quozel product.

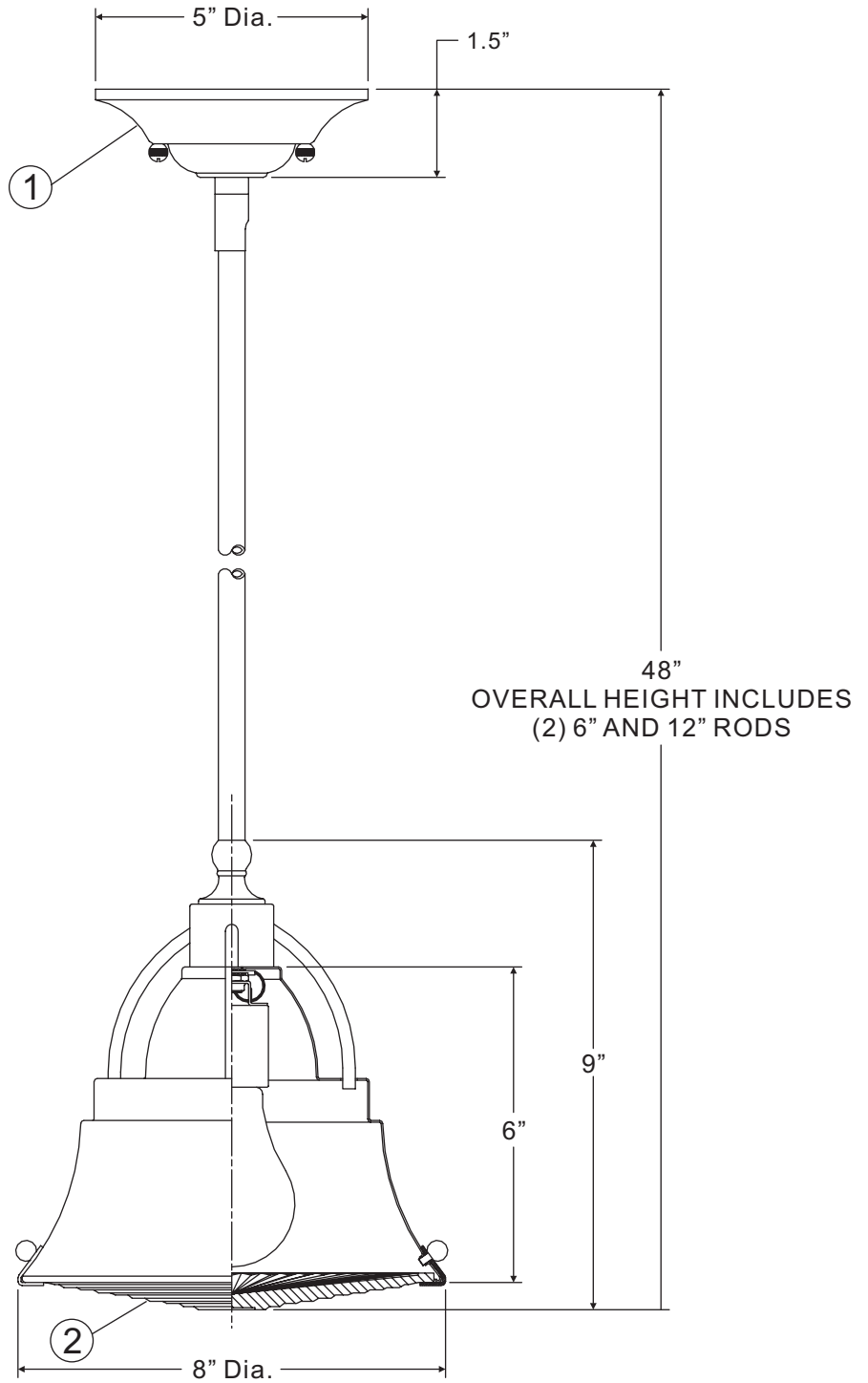
Need assistance with parts or assembly? Call Quozel customer service at 1-631-273-2700  
or visit us on-line at [www. quozel. com](http://www. quozel. com)

CDY1508BN

FINISH: BRUSHED NICKEL



(1)100W Medium Base Bulb (Not Supplied)



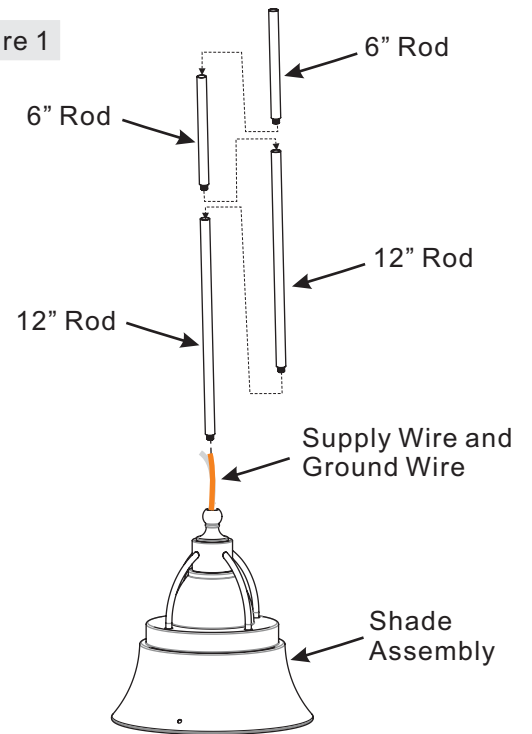
NOTE: ALL DIMENSIONS ARE ROUNDED UP TO THE NEAREST 1/2"

NO.	PART NUMBER	REPLACEMENT PART DESCRIPTION	REQ.
1	11508BNC DY	BASE BRUSHED NICKEL CDY1508BN	1
2	G3477DI	DIFFUSER 7.5"D	1
3	9012EXBN	ROD EXT BRUSHED NICKEL 0.5"D, 12"L	2
4	9006EXBN	ROD EXT BRUSHED NICKEL 0.5"D, 6"L	2

**STEP 1 – Assemble Rods**

- A. Determine the Rods (G/H) to be assembled to the Shade Assembly (I) according to your hanging height.
- B. Pass Supply Wires and Ground Wire through the chosen Rods (G/H) and then thread the chosen Rods (G/H) and the Shade Assembly (I) together. Hand tighten until snug.

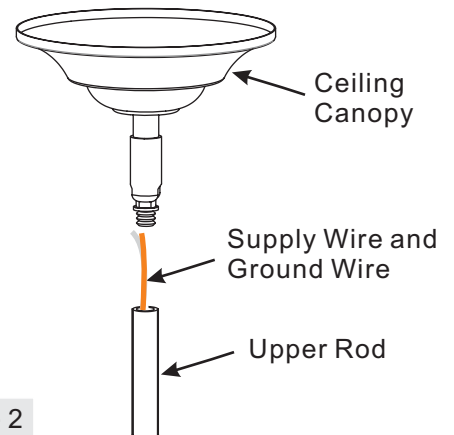
Figure 1



**STEP 2 – Assemble Ceiling Canopy to Upper Rod**

- A. Pass Supply Wires and Ground Wire through the Ceiling Canopy (F) and then thread the Ceiling Canopy (F) and the Upper Rod together. Hand tighten until snug.

Figure 2



**Thank you for purchasing a Quozel product.  
Need assistance with parts or assembly? Call Quozel customer service at 1-631-273-2700  
or visit us on-line at www. quozel. com**

**STEP 3 – Attach Mounting Screws, Lock Washers and Hex Nuts to Crossbar**

- A. Line up a set of holes on the Crossbar (A) and Holes on the Ceiling Canopy (F).
- B. Thread Mounting Screws (B) into the holes on the Crossbar (A), pass Lock Washers (C) and thread Hex Nut (D) onto the Mounting Screws (B). Hand tighten until snug.

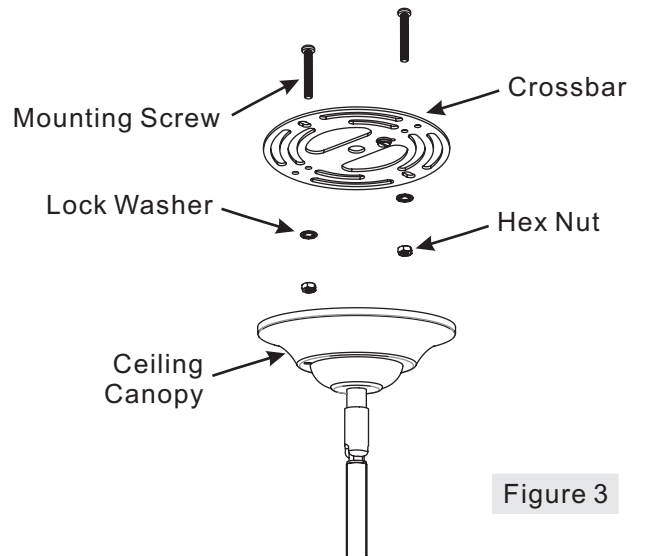


Figure 3

**STEP 4 – Attach Crossbar to Outlet Box**

- A. Attach the Crossbar (A) to Outlet Box and secure by threading Outlet Box Screws (not supplied) into the Mounting Holes on the Outlet Box. Tighten until snug.

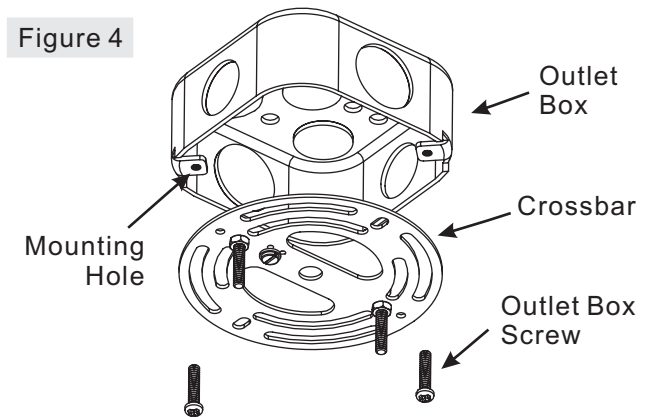


Figure 4

**Thank you for purchasing a Quozel product.**

**Need assistance with parts or assembly? Call Quozel customer service at 1-631-273-2700  
or visit us on-line at [www. quozel. com](http://www. quozel. com)**

### STEP 5 – Make Wire Connections

- A. Use standard wire connectors to make all wire connections. (Connectors are not included with fixture.) Strip and prepare wire ends according to instructions supplied with connectors.
- B. Connect White Supply Wire from the Outlet Box to White Wire from fixture.
- C. Connect Black (or Red) Supply Wire from the Outlet Box to Black Wire from fixture.
- D. Connect Ground Wire from the Outlet Box to Ground Wire from fixture.
- E. Twist connectors until wires are tightly joined together.
- F. Wrap each connection with approved electrical tape and carefully stuff all the connected wires into the Outlet Box.

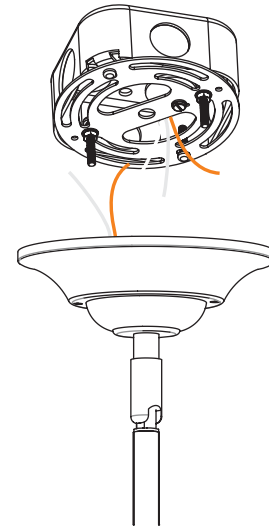


Figure 5

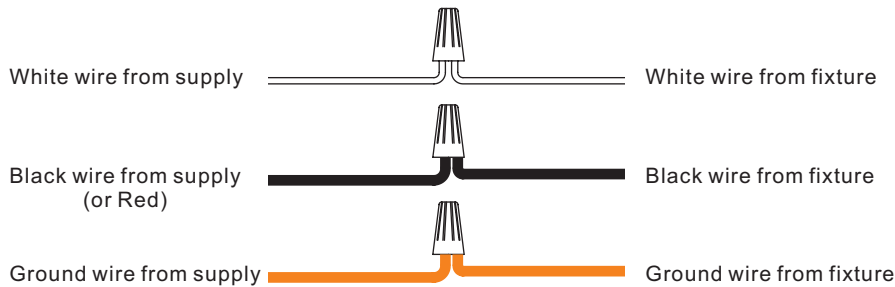


Figure 6

### STEP 6 – Attach Ceiling Canopy to Mounting Screw

- A. Place the Ceiling Canopy (F) over the Mounting Screws (B) and secure with Mounting Balls (E). Hand tighten until snug.

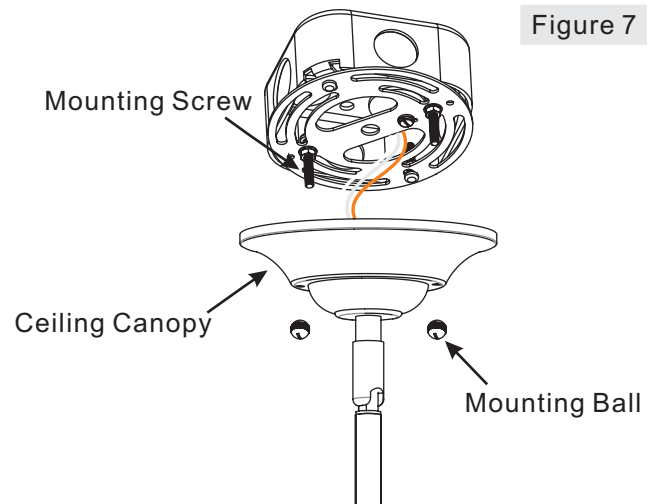


Figure 7

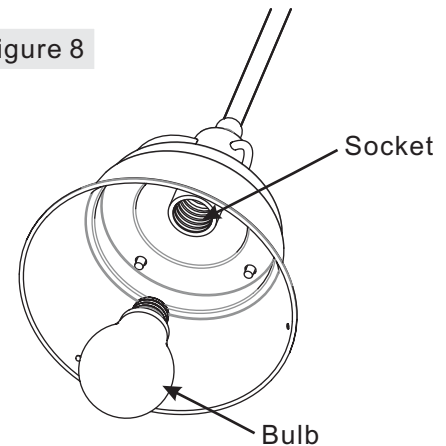
Thank you for purchasing a Quozel product.

Need assistance with parts or assembly? Call Quozel customer service at 1-631-273-2700  
or visit us on-line at [www. quozel. com](http://www. quozel. com)

**STEP 7 – Install Bulb**

- A. This fixture uses standard bulb with a standard screw base. Maximum 100 watts.
- B. Insert bulb and screw properly into place.

Figure 8

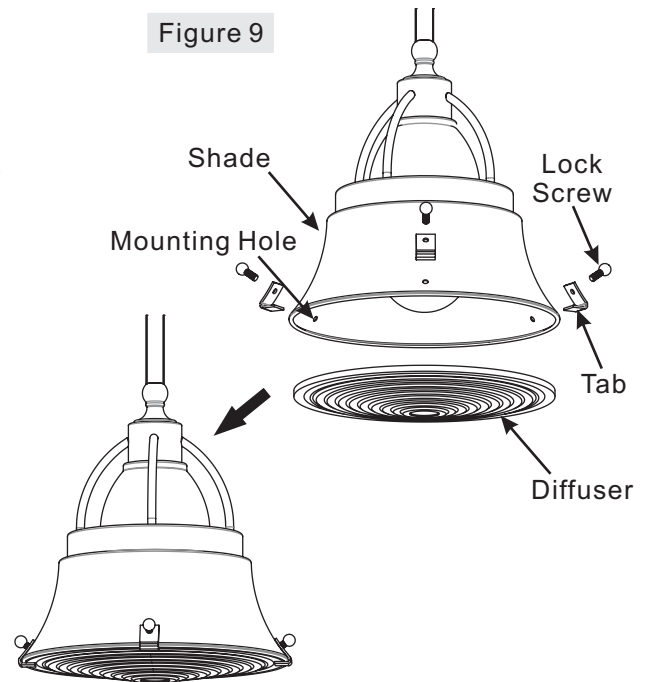


**STEP 8 – Attach Diffuser to Shade**

- A. Place Tabs (K) onto the edge of the Diffuser (L). Attach the Diffuser (L) onto the bottom edge of the Shade. Align the holes on Tabs (K) and the Mounting Hole on the Shade. Secure them together by threading Lock Screws (J) into the Mounting Holes. Hand tighten until snug.

Your fixture is now assembled and ready to use. Enjoy!

Figure 9



**Thank you for purchasing a Quozel product.**

**Need assistance with parts or assembly? Call Quozel customer service at 1-631-273-2700  
or visit us on-line at www. quozel. com**