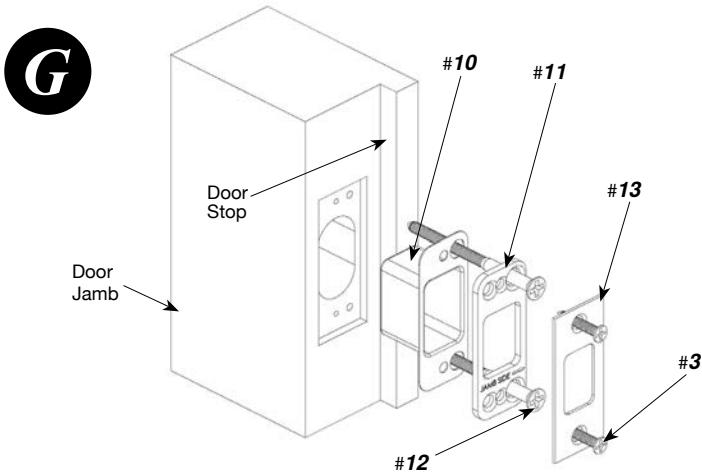
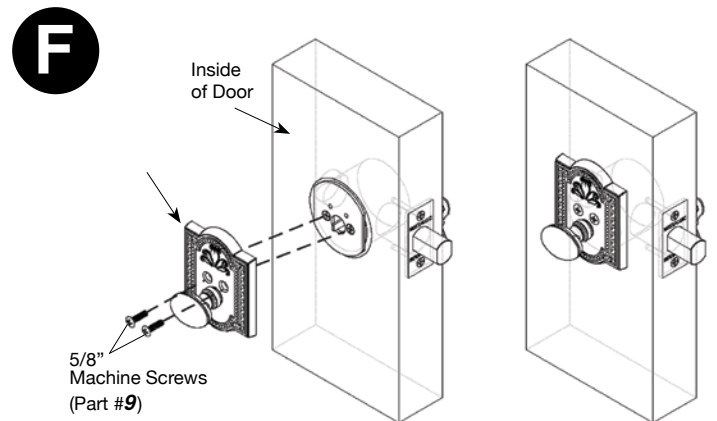
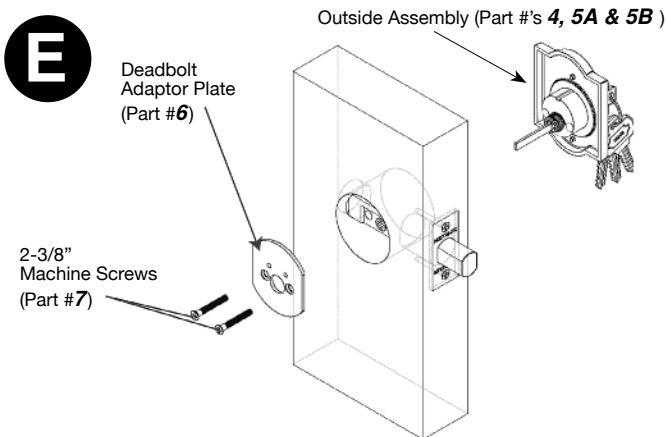
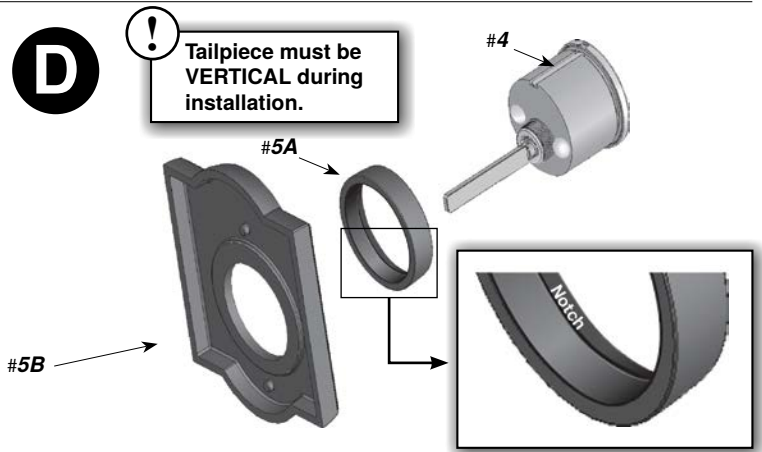
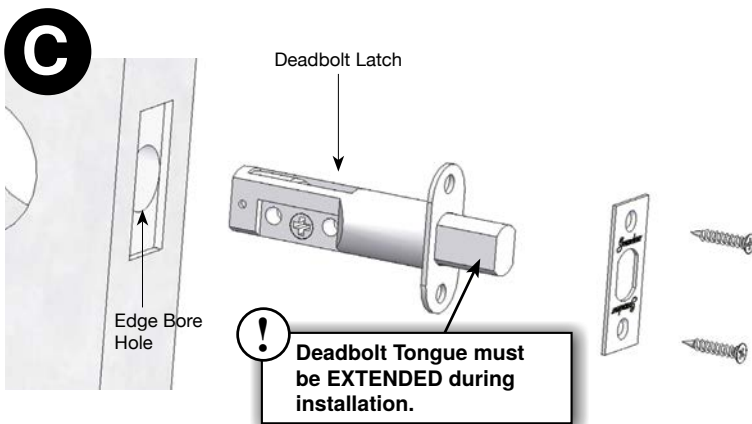
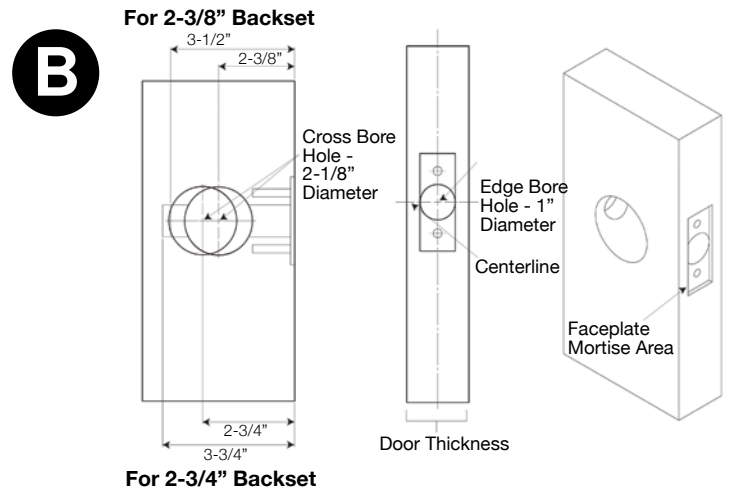
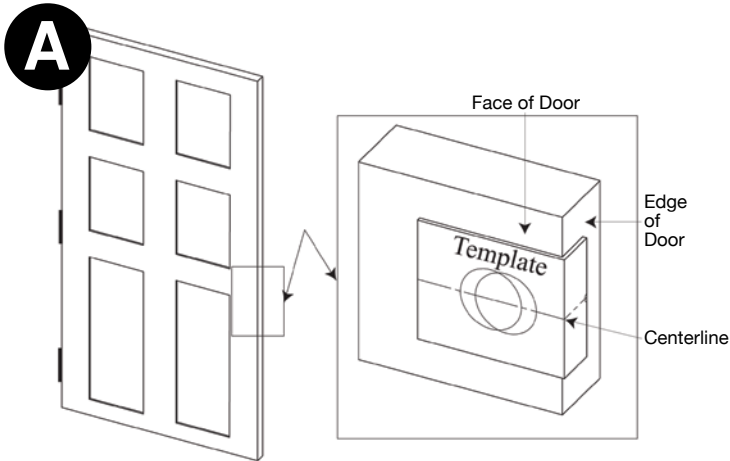


# Door Hardware Installation Instructions

Updated June 2016

# Single Cylinder Deadbolt

*NOTE: Deadbolts fit doors 1-3/4" to 2-1/4" thick.  
For thicker doors, please call customer service.*

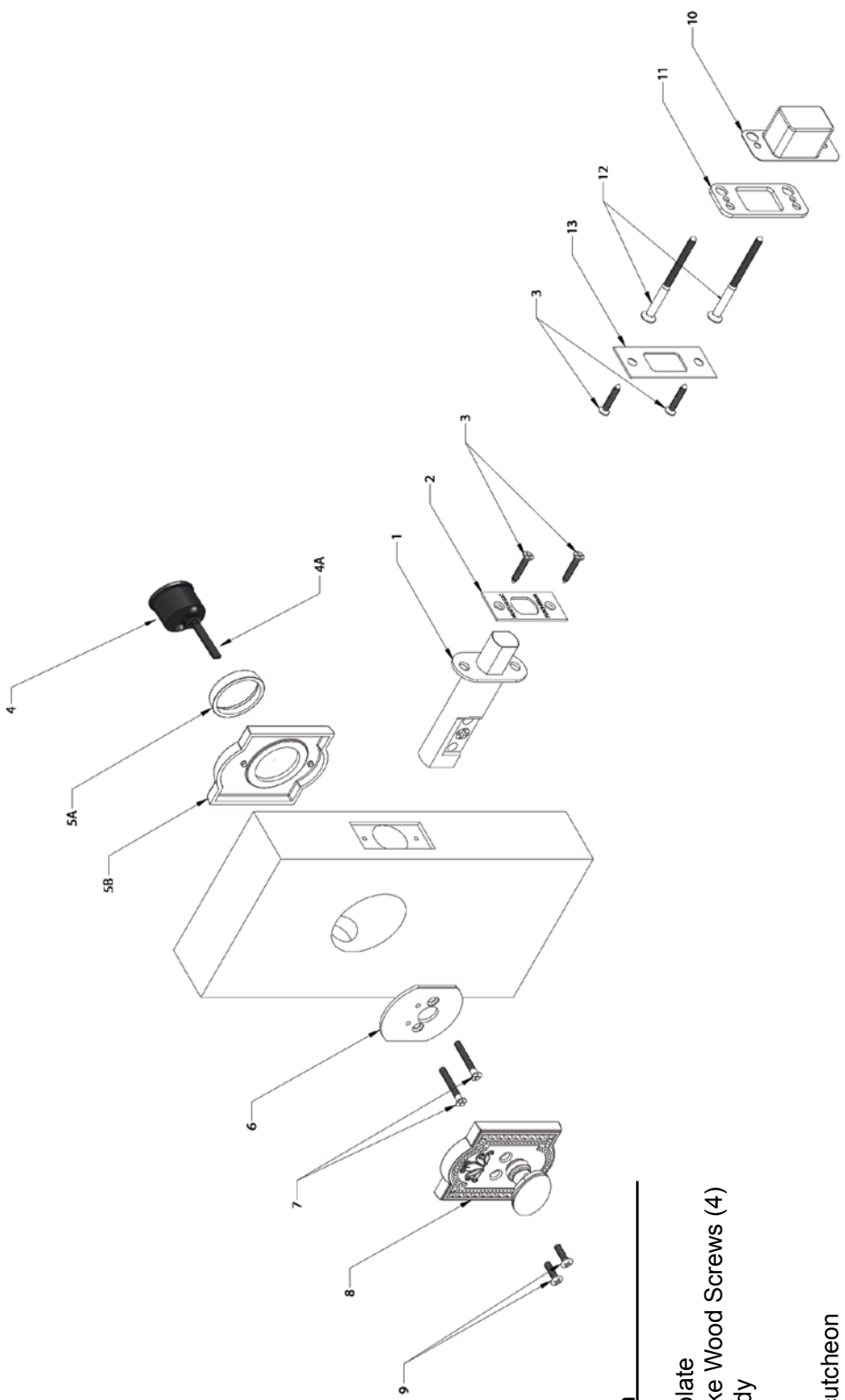


*Grandeur*  
Luxury for Life™

For assistance call 1-844-372-6848 Mon-Fri, 7 am—5pm MST  
or visit [www.GrandeurHardware.com/support](http://www.GrandeurHardware.com/support)

*NOTE: Deadbolts fit doors 1-3/4" to 2-1/4" thick.  
For thicker doors, please call customer service.*

# Single Cylinder Deadbolt Exploded Parts Drawing



Part #	Part Description
1	Latch
2	Latch Faceplate
3	Latch & Strike Wood Screws (4)
4	Cylinder Body
4A	Tailpiece
5A	Spin Ring
5B	Outside Escutcheon
6	Deadbolt Adapter Plate
7	2-3/8" Machine Screws (2)
8	Thumbturn Assembly
9	5/8" Thumbturn Machine Screws (2)
10	Dust Box
11	Door Frame Reinforcer
12	3" Reinforcer Wood Screws (2)
13	Strike Plate