

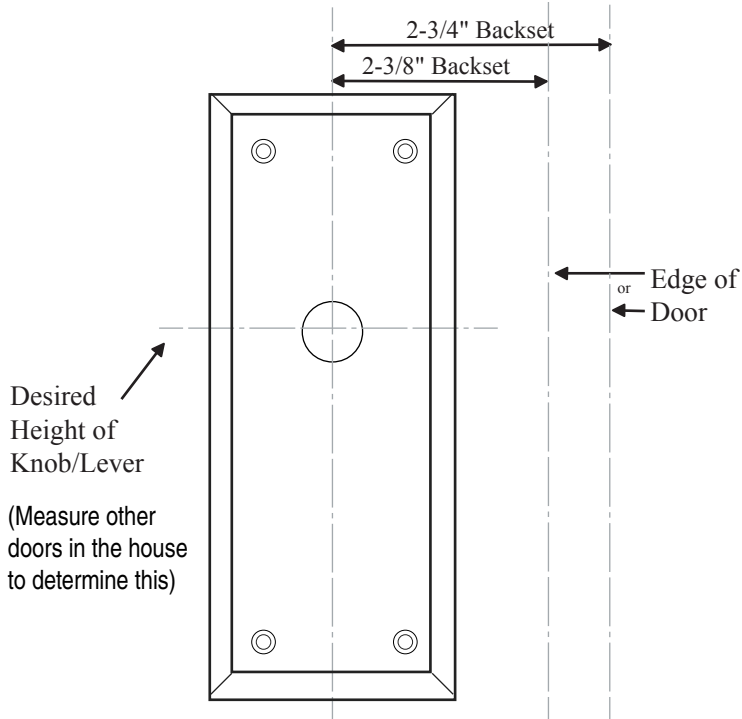
Long Plate Door Hardware

Installation Instructions — For doors without a 2-1/8" cross-bore

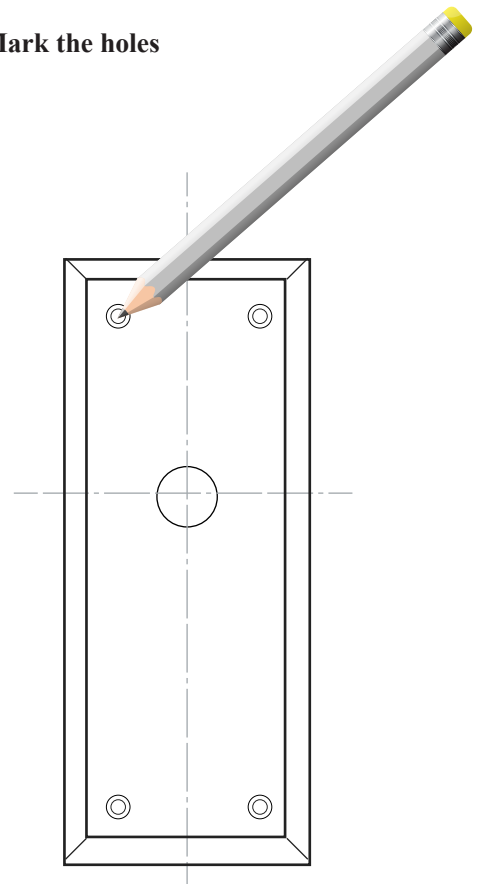
Updated November 2015

Dummy

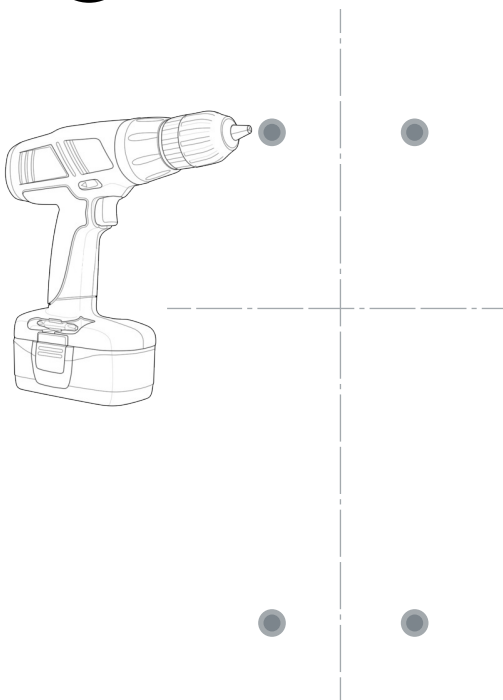
- A** Determine backset (distance between edge of door and center of rosette.) Check other doors in the house to determine backset.



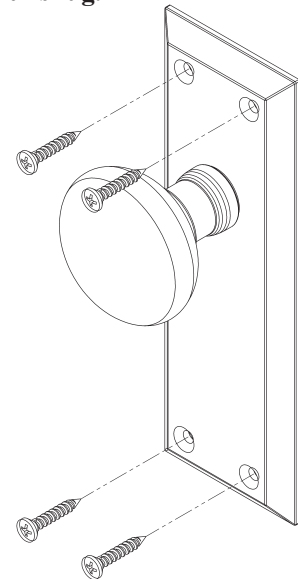
- B** Mark the holes



- C** Using a 7/64" drill bit, drill the screw holes at least 3/4" deep.



- D** Insert the long plate screws and tighten until snug.



Grandeur
By NOSTALGIC
WAREHOUSE

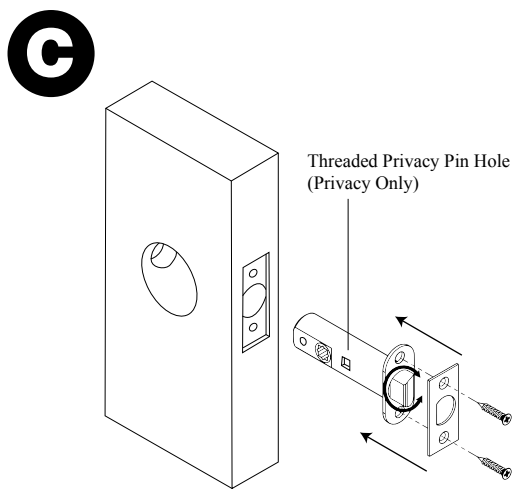
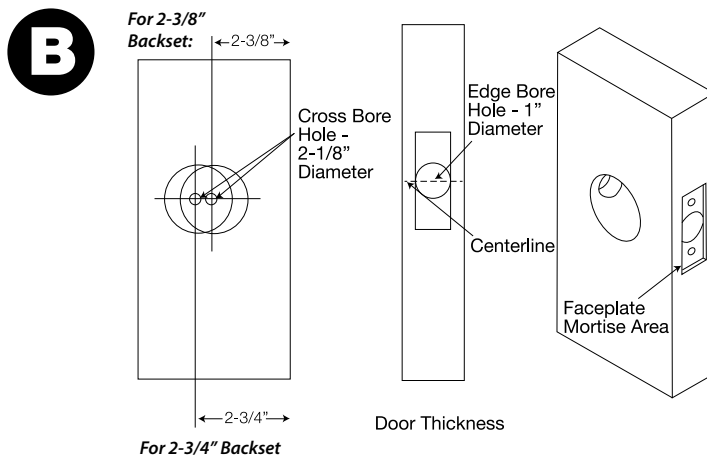
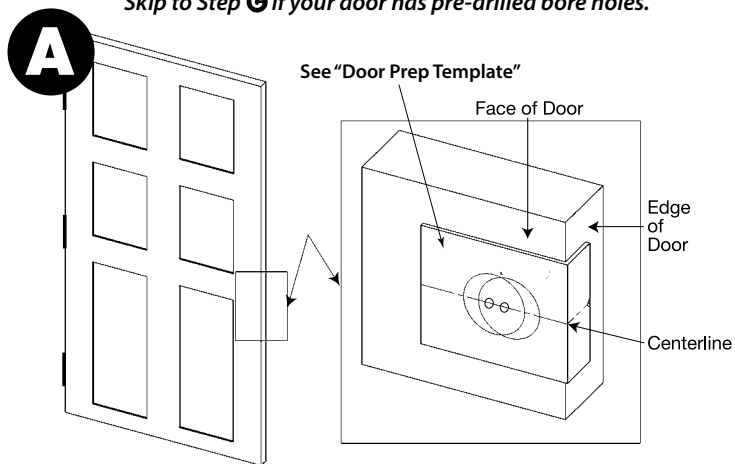
Long Plate Door Hardware Installation Instructions

Updated April 2015

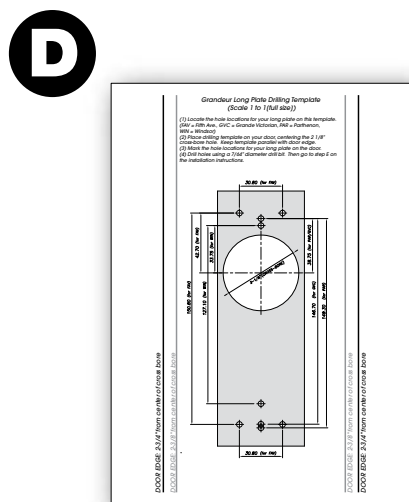
Passage/Privacy

Note: Passages and privacies fit doors 1-3/8" to 1-3/4" thick

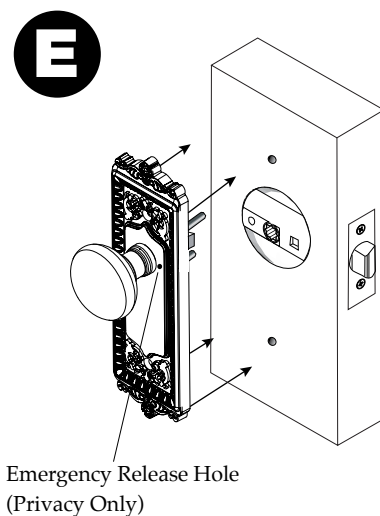
Skip to Step **C** if your door has pre-drilled bore holes.



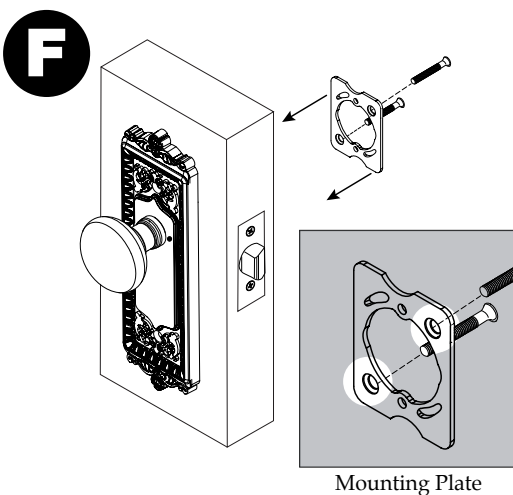
Door - Outside



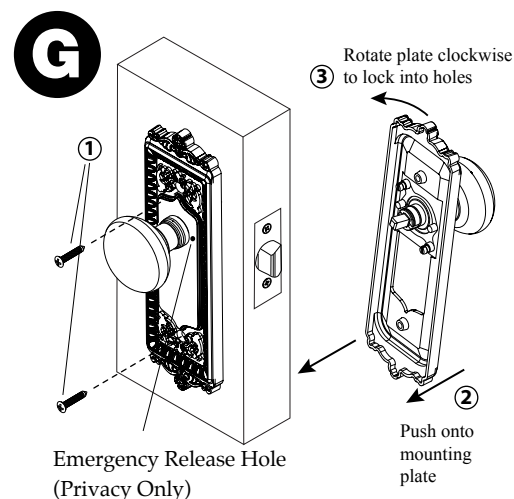
Refer to Drilling Template on opposite page



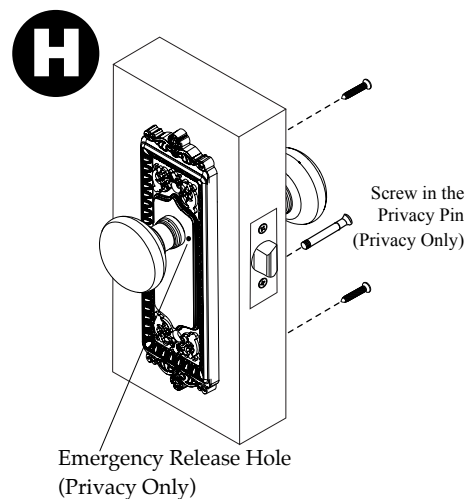
Door - Outside



Door - Outside



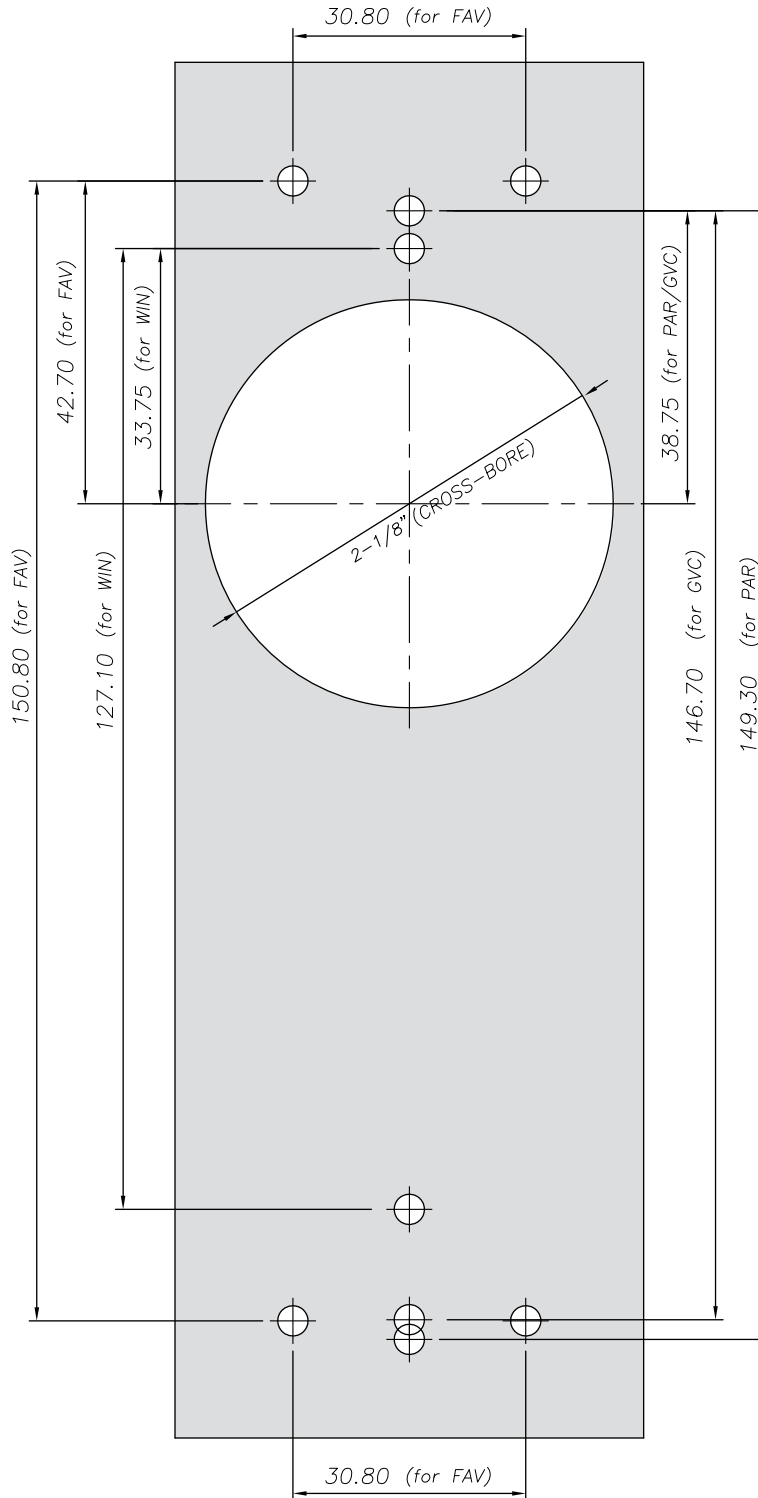
Door - Outside



Door - Outside

Grandeur Long Plate Drilling Template (Scale 1 to 1 (full size))

- (1) Locate the hole locations for your long plate on this template.
(FAV = Fifth Ave., GVC = Grande Victorian, PAR = Parthenon, WIN = Windsor)
- (2) Place drilling template on your door, centering the 2 1/8" cross-bore hole. Keep template parallel with door edge.
- (3) Mark the hole locations for your long plate on the door.
- (4) Drill holes using a 7/64" diameter drill bit. Then go to step E on the installation instructions.



DOOR EDGE: 2-3/4" from center of cross bore

DOOR EDGE: 2-3/8" from center of cross bore

DOOR EDGE: 2-3/8" from center of cross bore

DOOR EDGE: 2-3/4" from center of cross bore

1-1/4" Machine Screws

Inside Trim Half

1" Oval Head Wood Screws

Strike

1" Flat Head Wood Screws

Faceplate

Latch Tongue

Mounting Plate

Latch

Outside Trim Half

1" Oval Head Wood Screws

