

INSTALLATION INSTRUCTION 6368/6369

For Flush Mount Ceiling Fixture

WARNING! SHUT POWER OFF AT FUSE OR CIRCUIT BREAKER .
AVERTISSEMENT! COUPER LE COURANT AU NIVEAU DES FUSIBLES OU DU DISJONCTEUR.

READ AND SAVE THESE INSTRUCTIONS

MOUNTING THE FIXTURE (Fig. 1)

1. Shut off the power at the circuit breaker and remove the old fixture, including the mounting hardware.
2. Carefully remove the fixture from the carton and check that all parts are included as shown in the illustration.
3. Thread the two mounting screws (C) (Size:#8-32*1.5"L) about 1/4" into the pre-drilled holes in the crossbar (A).
4. Secure the crossbar (A) to the junction box using the junction box screws (B) (Size:#8-32*0.6"L). The side of the mounting bar marked "GND" must face out.

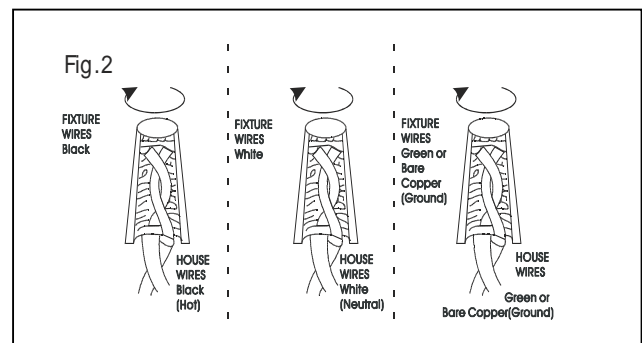
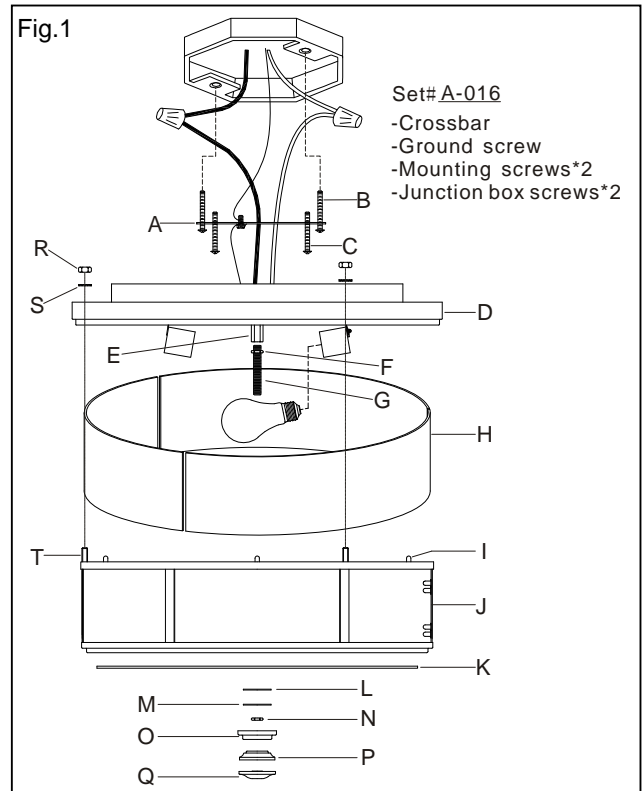
CONNECTING THE WIRES (Fig. 2)

5. At this point, connect the electrical wires as shown in Fig. 2, making sure that all wire connectors are secured. If your outlet box has a ground wire (green or bare copper), connect the fixture's ground wire directly to the mounting plate using the green screw provided. After the wires are connected, tuck them carefully inside the outlet box.

COMPLETING THE INSTALLATION (Fig. 1)

6. Place the glass (H) into the glass frame (J), then bend metal clips (I) to hold glass (H).
7. Insert the nipples (T) of glass frame (J) into holes in canopy (D), then place the lock washers (S) over the nipples (T), then secure with the nuts (R).
8. Raise and mount the ceiling pan (D) by placing it over both mounting screws (C) so that they protrude through the "keyholes" in the bottom of the pan. Rotate the ceiling pan (D) until the screws are in the slots of the "keyholes" and tighten with a screwdriver. Install the light bulb(s) in accordance with the fixture's specifications. **(DO NOT EXCEED THE SPECIFIED WATTAGE!) (NE PAS DEPASSER LA PUISSANCE NOMINALE MAXIMALE!).**
9. Thread the nut (F) onto the nipple (G), then thread the nipple (G) into the coupling (E) and tighten with the nut (F).
10. Slide the glass panel (K), the plastic washer (L) and iron washer (M) onto the nipple (G) and secure with the hex nut (N).
11. Slide the cap (O) and the cap (P) over the nipple (G) and secure with the finial (Q).

Return power to the junction box and test the fixture.
Your installation is now complete.



NOTE: CONSULT A QUALIFIED ELECTRICIAN TO ENSURE CORRECT BRANCH CIRCUIT CONDUCTOR. MIN 90°C SUPPLY CONDUCTORS.