

INSTALLATION INSTRUCTIONS

Item# 4559-588

READ AND SAVE THESE INSTRUCTIONS

WARNING! SHUT POWER OFF AT FUSE OR CIRCUIT BREAKER.

AVERTISSEMENT! COUPER LE COURANT AU NIVEAU DES FUSIBLES OU DU DISJONCTEUR.

PREPARATION (Fig. 1)

1. Carefully remove the fixture from the carton and check that all parts are included as shown in the illustration.
2. Shut off the power at the fuse box or circuit breaker. If necessary, remove the old fixture including the mounting hardware.
3. Adjust the steel cable (J) to keep fixture leveled. **Note: Press spring coupling (R) by hand and adjust the steel cable (J) to the desired length.**

ASSEMBLING THE FIXTURE WITH CHAIN LOOP (Fig. 2)

4. By measuring, determine desired hanging height and thread rods (F1, F2 and F3) onto nipple (S), then attach to loop (H1) by screwing in rod (F1). Carefully pass the wire through each rod during assembly. Note: remove the nipple if installing with one 6" rod only.
5. Place the hex nut (Q1) over the end of nipple (C), thread the nipple (C) into ceiling loop (H2) until snug, then thread the hex nut (Q1) until tight.
6. Place the hex nut (Q2) and lock washer (P) over the other end of nipple (C) and thread the other end of the nipple (C) into the crossbar (A) until snug, and thread the hex nut (Q2) until tight. Note: The length of the nipple into the crossbar may be adjusted if necessary.
7. Take this crossbar assembly and mount it to ceiling outlet box with mounting screws (Size: #8-32N*L0.5"). Tighten screws securely with screwdriver (not included). The side of crossbar marked "GND" must face out.
8. Slide the canopy (D) and ceiling loop collar (E) onto the quick link (G), attach the quick link (G) connect to fixture loop (H1) and ceiling loop (H2), carefully feed the wire over fixture loop (H1), quick link (G) and ceiling loop (H2).

CONNECTING THE WIRES (Fig. 3)

9. At this point, connect the electrical wires as shown in figure 3, making sure that all wire connectors are secured. If your outlet has a ground wire (green or bare copper), connect the fixture's ground wire to it. Otherwise, connect the fixture's ground wire directly to the crossbar using the green screw provided. Tuck the wire connections neatly into the ceiling outlet box and then raise the canopy (D) all the way to the ceiling. Thread the loop collar (E) to the ceiling loop (H2) to secure the canopy (D) against the ceiling.

COMPLETING THE INSTALLATION (Fig. 1)

10. Place the glass shade (N) over socket (L). Using screws (M) secure glass shades to socket cap above socket cup (L).
11. Install the light bulb(s) (K) (supplied) in accordance with the fixture's specifications. **(DO NOT EXCEED THE MAXIMUM WATTAGE RATING!) (NE PAS DEPASSER LA PUISSANCE NOMINALE MAXIMALE!).**

Your installation is now complete. Return power to the junction box and test the fixture.

Note: Illustration (Fig. 1) on this manual is for installation purposes only. It may or may not be identical to the fixture purchased.

Fig. 1

Set# A-010
-Crossbar
-Ground screw
-Mounting Screw*2

Rod# W30-1-281*1(F1)
W30-1-281*2(F2)
W30-H-281*1(F3)

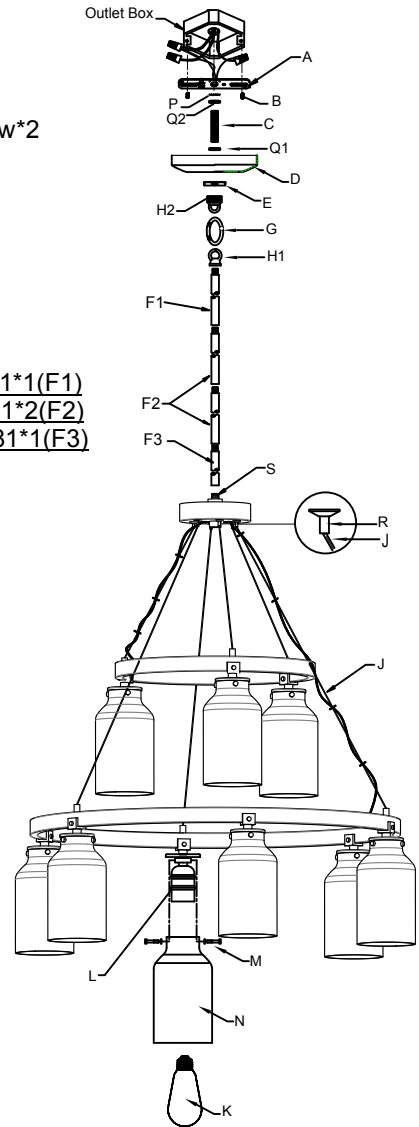


Fig. 3

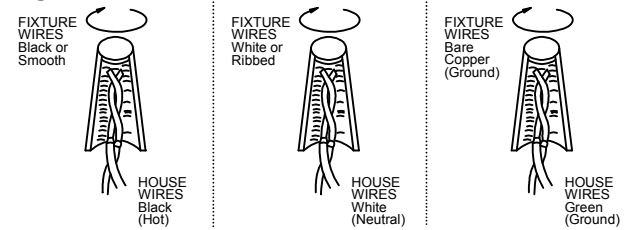
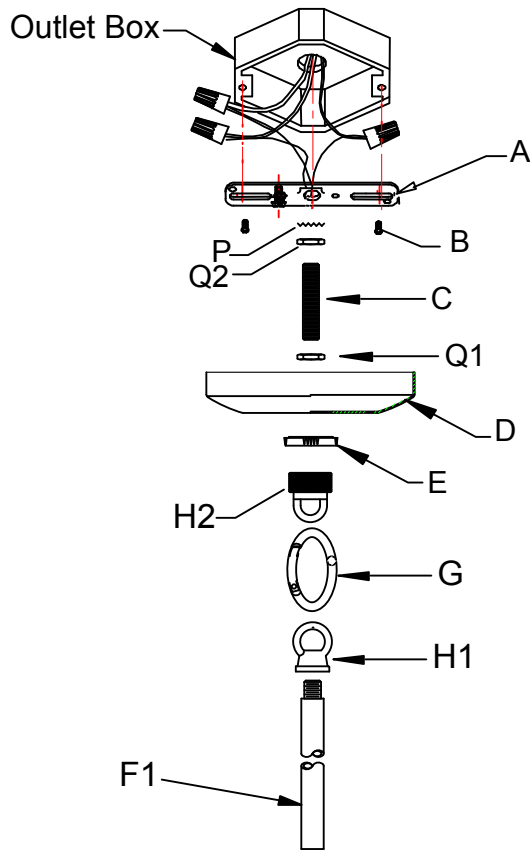
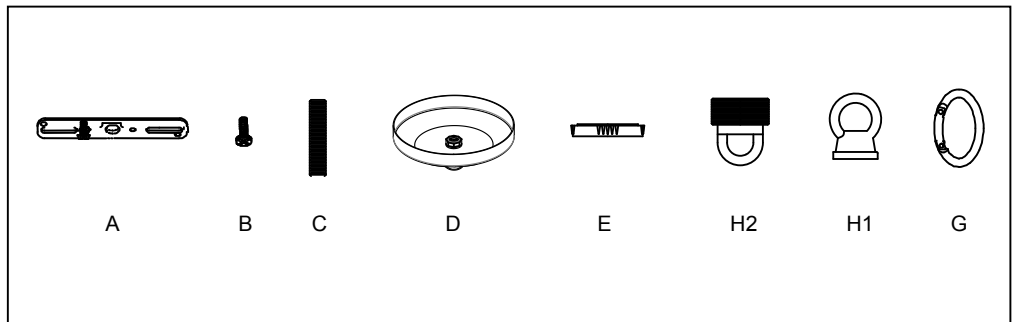


Fig.2



a. Hardware Bag:

- A. Crossbar*1
- B. Mounting Screw*2
- C. Nipple*1
- D. Canopy*1
- E. Loop Collar*1
- H1. Fixture Loop*1
- H2. Ceiling Loop*1
- G. Quick Link*1



b. Hardware Bag:

- F1. ROD 12"*1
- F2. ROD 12"*2
- F3. ROD 6"*1

