

# INSTALLATION INSTRUCTION FOR N3705, N3706

**WARNING! SHUT POWER OFF AT FUSE OR CIRCUIT BREAKER .**  
**AVERTISSEMENT! COUPER LE COURANT AU NIVEAU DES FUSIBLES OU DU DISJONCTEUR.**

READ AND SAVE THESE INSTRUCTIONS

## ASSEMBLING THE FIXTURE (Fig. 2)

1. Shut off the power at the fuse box or circuit breaker. If necessary, remove the existing fixture and its mounting hardware from the ceiling.
2. Carefully remove the new fixture from the carton and check that all parts are included as shown in the illustration.
3. Thread the loop (L) onto the nipple (M) until snug.
4. Thread the center rod (U) onto the nipple (V), then thread the coupling (B1) into the center rod (U).
5. Secure the coupling (O) of each arm (R) to the coupling (N) using the screws (P).

## HANGING THE FIXTURE (Fig. 1)

6. Thread the nipple (E) into the ceiling loop (H) until snug.
7. Thread the other end of the nipple (E) with ceiling loop (H) attached into the crossbar (A) until snug.
8. Place lock washer (C) and hex nut (D) onto the nipple protruding through the top of the cross bar (A). Then thread the hex nut (D) onto the nipple (E) until snug.
9. Take this crossbar (A) assembly and mount to ceiling outlet box using the mounting screws (B) (Size: #8-32\*0.6"L). The side of the crossbar (A) marked "GND" must face out.
10. Open one quick link (K) and connect one end link of the chain (J) to the fixture loop (L). Then thread the quick link closed.
11. By measuring, determine the correct number of links needed for the desired hanging height. Use a pair of chain pliers to disconnect and discard the excess chain.
12. Carefully lace the fixture wires through the chain.
13. Slip the lock collar (G) and canopy (F) over the chain, allowing them to rest on the fixture loop (L).
14. Attach the other end link of the chain (J) to the ceiling loop (H) using a quick link (I). Then thread the quick link closed.
15. Feed the fixture wires through the ceiling loop (H) and the nipple (E) and pull tight.

## CONNECTING THE WIRES (Fig. 3)

16. Connect the electrical wires as shown in Fig. 3, making sure all wire connectors are secured. If your outlet box has a ground wire (green or bare copper), connect fixture's ground wire to it. Otherwise, connect the fixture's ground wire directly to the crossbar (A) using the green screw provided. After the wires are connected, tuck them neatly inside the outlet box.

## FINISHING THE INSTALLATION (Fig. 1)

17. Raise the canopy (F) to the ceiling. Then raise the lock collar (G) and thread onto the ceiling loop (H) protruding through canopy (F).
18. Install the light bulbs (not included) in accordance to the fixtures specifications (**DO NOT EXCEED THE SPECIFIED WATTAGE!**) (**NE PAS DEPASSER LA PUISSANCE NOMINALE MAXIMALE!**)
19. Raise the shade (A1) and connect the hooks (S) from the arms (R) to the loops (T) on the shade (A1).
20. Secure glass panels (W) to the plate (X) using screws (Y) and plastic washers (Z).

Your installation is now complete. Return the power to the outlet box and test the fixture.

Fig.1

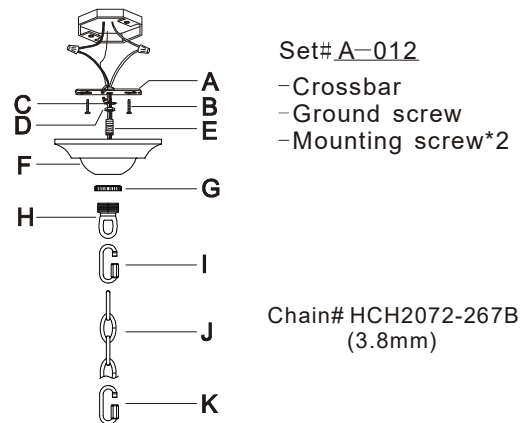


Fig.2

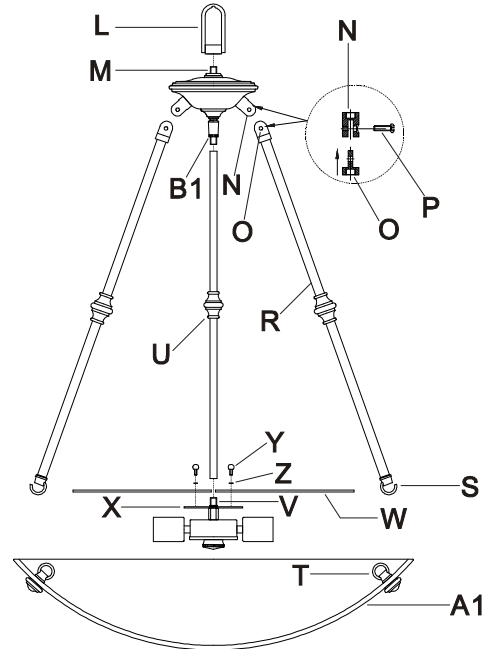
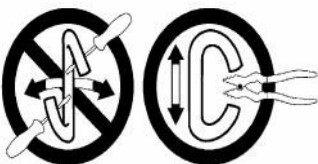
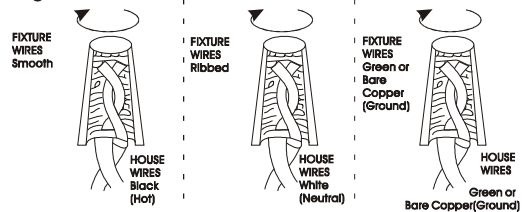


Fig.3



Notice: It is important to use proper chain pliers (not included) To OPEN and CLOSE the chain included with this fixture. Do not open them with other tools that may twist or stress the chain links. It is important to use proper chain pliers like the ones shown in the diagram.

