

INSTALLATION INSTRUCTIONS

Item #N6676-274 (12/23/2014)

READ AND SAVE THESE INSTRUCTIONS

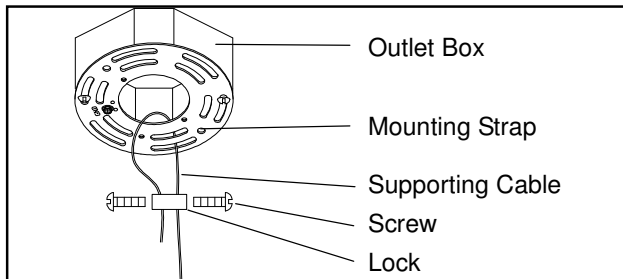
WARNING! SHUT POWER OFF AT FUSE OR CIRCUIT BREAKER.
AVERTISSEMENT! COUPER LE COURANT AU NIVEAU DES FUSIBLES OU DU DISJONCTEUR.

PREPARING THE FIXTURE (Fig.2)

1. Shut off the power at the fuse box or circuit breaker. If necessary, remove the existing fixture and its mounting hardware from the ceiling.
2. Carefully remove the new fixture from the carton and check that all parts are included as shown in the illustration.
3. Thread nipple (H) into the coupling and secure with a hex nut.
4. Place rod (J), cap (K) and frame (E) over nipple (H) and secure with a hex nut.
5. Install the bulbs (F) (4pcs) in accordance with the fixture's specifications. **(DO NOT EXCEED THE MAXIMUM WATTAGE RATING!) (NE PAS DEPASSER LA PUISSANCE NOMINALE MAXIMALE!)**
6. Place column (C) over the tube and secure with nut (B).
7. By measuring, determine the desired hanging height and thread rods (A) into the top nipple of the fixture body.
8. Carefully pass the fixture wires through each rod (A) as you assemble.
9. Pass the wires through swivel and canopy (L) and pull tight. Then thread the swivel onto the top of rods (A).

MOUNTING THE FIXTURE (Fig. 1)

10. Attach mounting strap to the outlet box using the box screws (Size: #8-32*0.5L). The side of the mounting strap marked "GND" must face out.
11. Place supporting cable through lock and secure with screw. Place the supporting cable through mounting strap and lock and secure with screw.



CONNECTING THE WIRES (Fig. 3)

12. At this point, connect the electrical wires as shown in Fig. 3, making sure that all wire connectors are secured. If your outlet box has a ground wire (green or bare copper), connect the fixture's ground wire to it. Otherwise, connect the fixture's ground wire directly to the mounting strap using the green screw provided. After the wires are connected, tuck them carefully inside the outlet box.

FINISHING THE INSTALLATION (Fig. 1 & 2)

13. Align the side holes of the canopy (L) to the holes on the side of the mounting plate. Then secure the canopy to the mounting plate using the side screws.
14. Install the bulbs (8pcs) in accordance with the fixture's specifications. **(DO NOT EXCEED THE MAXIMUM WATTAGE RATING!) (NE PAS DEPASSER LA PUISSANCE NOMINALE MAXIMALE!)**
15. Place the glass shades (D) onto the sockets.
16. Install the cup and finial (G) onto the fixture body.

Your installation is now complete. Return power to the outlet box and test the fixture.

Note: Illustration on this manual is for installation purposes only. It may or may not be identical to the fixture purchased. Do not clean your light fixture or parts with water or cleanser.

Fig.1

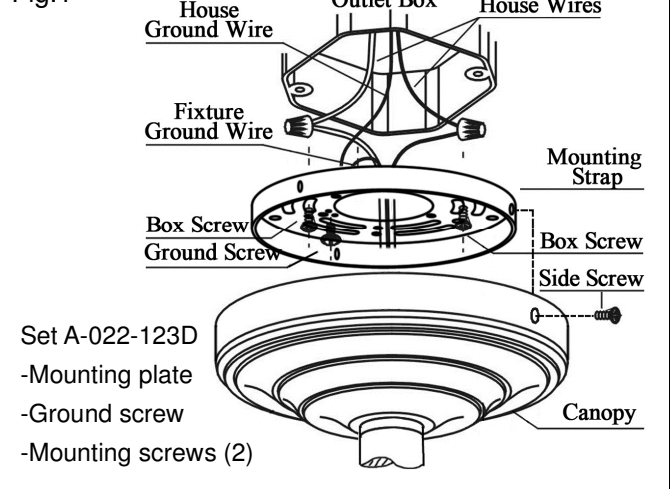


Fig.2

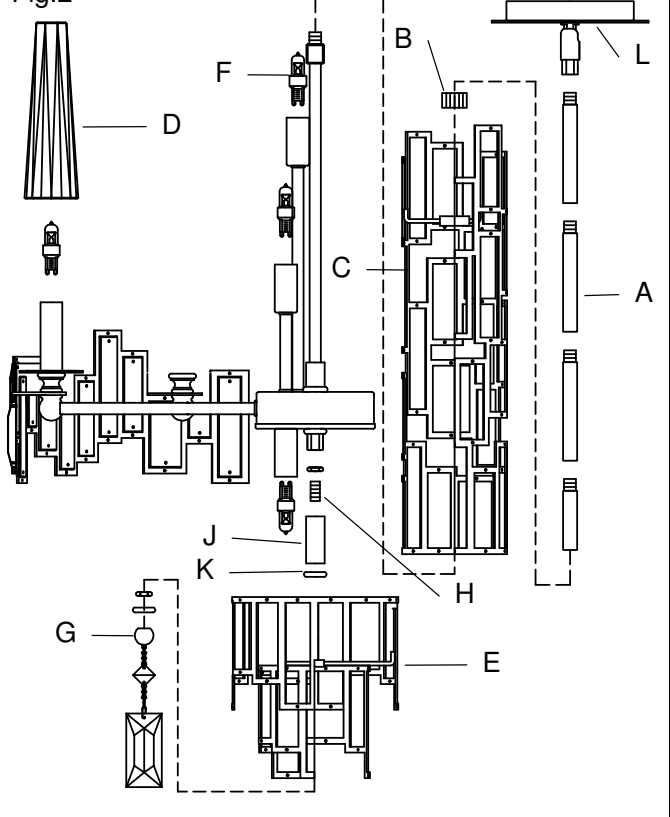
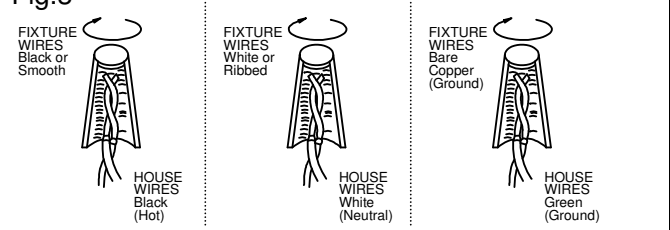


Fig.3



american lighting association