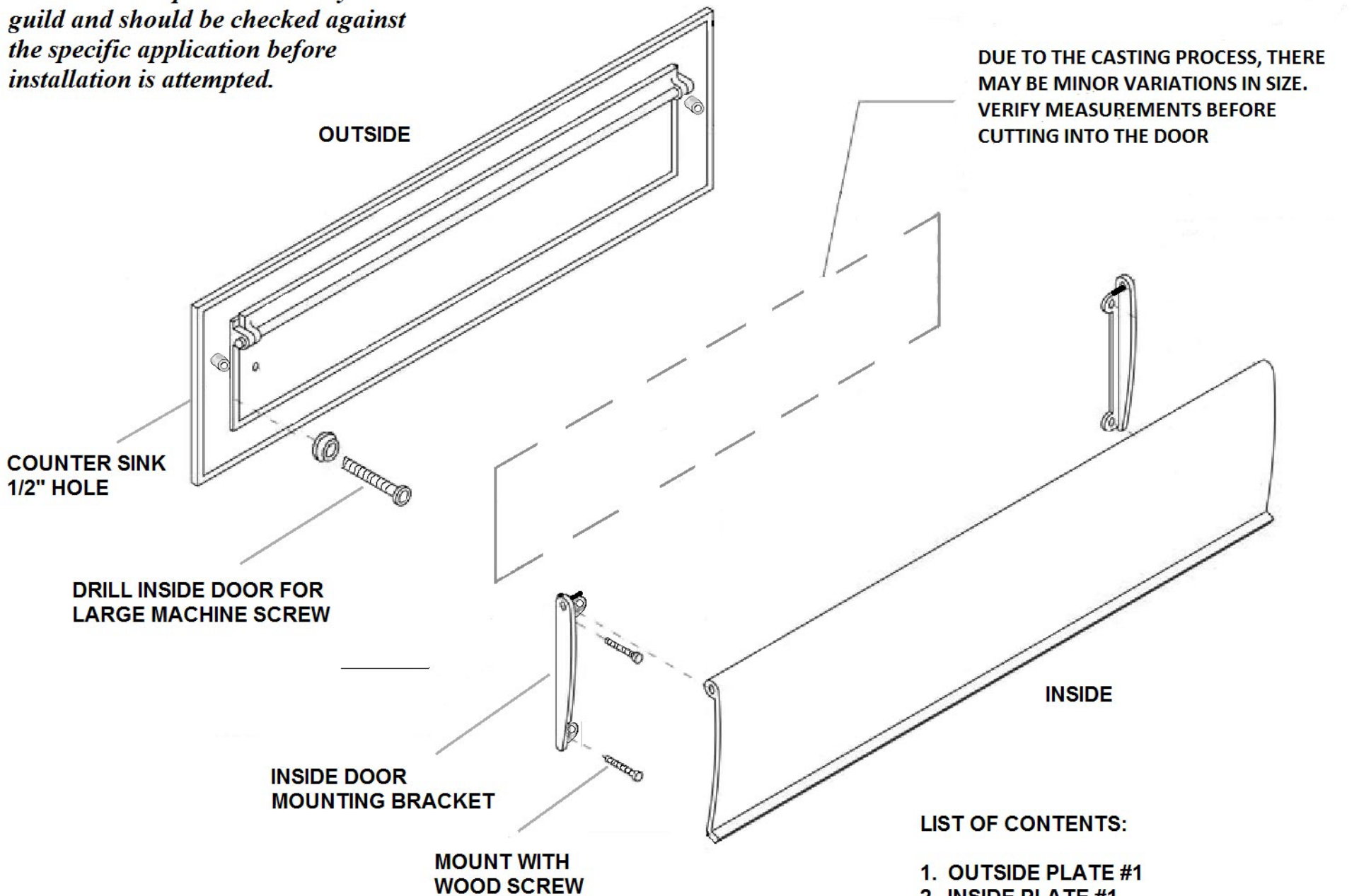


BUNGALOW MAIL SLOT

The diagram is not to scale and is for illustration purposes only.

Measurements provide are only a guide and should be checked against the specific application before installation is attempted.



LIST OF CONTENTS:

1. OUTSIDE PLATE #1
2. INSIDE PLATE #1
3. LARGE MACHINE SCREW #4
4. REAR PLATE MOUNTING BRACKETS #2
5. REAR BRACKET SCREWS #4