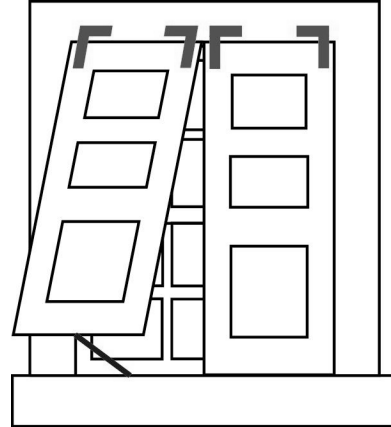


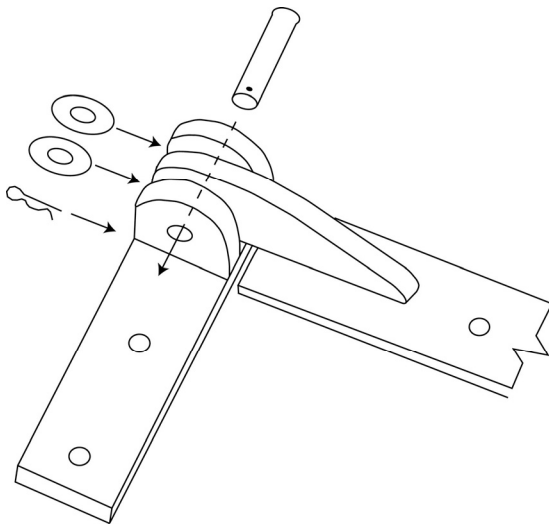
## Bermuda Hinge Instructions

Bermuda Hinges are surface-mounted at the top of the shutter. They work in left- and right-handed pairs. John Wright's unique design allows each hinge to be used in either left- or right-hand applications by simply flipping the mounting base. Each hinge assembly consists of:

- (1) cast iron hinge that mounts to the shutter
- (1) cast iron base that mounts to the house
- (1) steel hinge pin
- (1) hairpin clip
- (2) spacer washers
- (5) mounting screws



Typically, one hinge is mounted on each side of the outside of shutter at the top as shown above. (Drilling a pilot hole before installing all screws is recommended.) The base is then attached to the hinge by installing the hinge pin as shown below. Use the spacer washers to center the hinge in the base and prevent side-to-side movement. Position the shutter over the window as desired and carefully mark the location of the screw holes for each base. Remove the



hinge pin and separate the hinge from the base. Now screw each base to the house, position the shutter, and install the hinge pin, spacer washers, and hairpin clip in the hole of the hinge pin. Depending on how the shutter is mounted and sized or the type of window trim, a wood shim or additional trim piece may be required to be mounted behind the hinge base. It is also possible to mount the hinge on the back side of the shutter. To do so, the hinge shown to the left would simply be rotated 180 degrees counterclockwise, with the base remaining in the same position. Back-side mounting is useful when the base mounting location is recessed and not in the same plane as the closed shutter.

Bermuda-hinged shutters are held open with a shutter stay that consists of a long hook-and-eye assembly. The base of the hook is usually mounted at or near the bottom of the window, and the eye is mounted on the inside of the shutter near the bottom. Stays can be mounted in the middle of the shutter or toward the outside edge. Mounting in the middle is stronger, but mounting at the edge allows the hook to be more easily stowed when not in use. Additional eyes are available to stow the hook when the shutter is closed. Considerable flexibility in mounting the stay is possible, but it is recommended that the shutter be held open at an angle no greater than sixty degrees from the building. For very large shutters, two stays may be required. Please note that Bermuda hinges do not secure the shutters in the closed position. If shutters are to provide storm protection, an appropriate method to hold them closed is required.