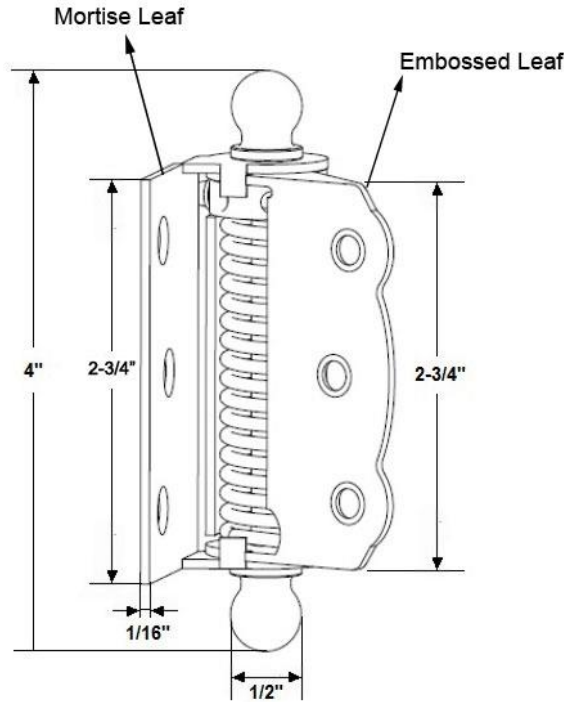


Product Data Sheet
Professional Grade Quality Solid Brass
Half Surface Adjustable Spring Screen Door Hinge with Ball Finials (Each)
Item# 80320



Dimensions:

- Height (Mortise Leaf): 2-3/4" x 1-9/16"
- Height (Embossed Leaf): 2-3/4" x 1"
- Overall Height: 4" (finial to finial)
- Ball Finial Diameter: 1/2"
- Gauge: 1/16"
- Net Weight: 6.5 oz (1 Hinge)
- Gross Weight: 9.5 oz. (1 Hinge per Inner Box)
- Spring Material: Steel
- Solid Brass Wood Screws

Dimensions are for reference use only.

For exact dimensions, please measure actual part.

Product Description & Features:

This is probably the BEST Solid Brass Spring Screen/Storm Door Hinge you can find in the market. Manufactured to strict tolerances and engineering standards, this surface mount hinge is strong and durable. The exposed spring and ball tips provide a decorative look to your high value screen or storm door. The spring is made of Stainless Steel and plated with a matching finish. The spring is strong enough to handle most standard weight screen and storm doors.



Catalog Section: J

Half-Surface Adjustable Spring Screen Door Hinge with Ball Finials (Each)

Item# 80320

Date: Rev 08/17