

BENTLEY

FR44504BBZ

Bulbs: 4-60W CAND. Replacement Parts: Crystals: R44504CRY, R44505CRY
Shade: R44504SH

[DRAWING 1]

ASSEMBLY INSTRUCTIONS

Assembly of this fixture will be accomplished by assembling the main body of the fixture, installing the mounting hardware to the junction box, making all necessary electrical connections and then hanging the fixture.

SAFETY WARNING: Read wiring and grounding instructions [FRIS 18] and any additional directions. Turn power supply off during installation. If new wiring is required, consult a qualified electrician or local authorities for code requirements.

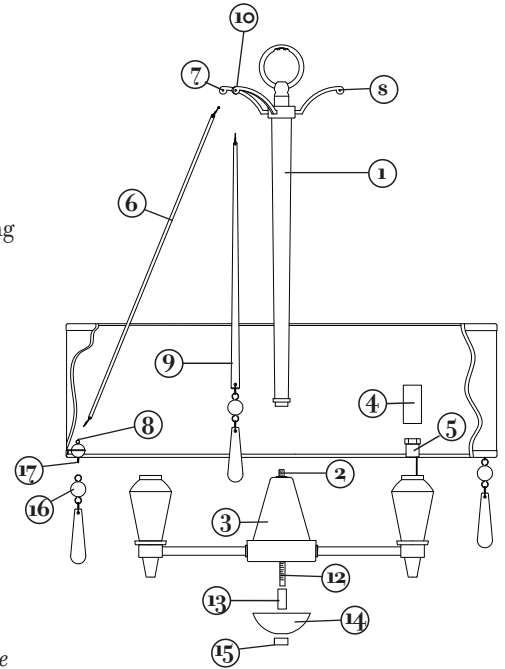
STEP 1

- 1 Slip center stem (1) along wire and thread onto threaded tube (2), located on the top of the main body (3) - See Drawing 1.
Making sure that every other arm of the spider (8) is located over one of the lower arms of the main body (3).
- 3 Slip candle sleeve (4) over socket (5).
- 4 Attach one end of shade rod (6) to the arm of the spider (7) that is located between the lower arms of the main body.

STEP 2 Refer to Hanging Instruction Sheet [FRIS19-100] to hang fixture and complete assembly.

STEP 3

- 1 Attach crystal (9) to spider arm (10) that is located over the arms of the main body (3).
- See Drawing 1.
- 2 Attach the free end of shade rod (6) to loop (8) located inside the shade (11) rim. repeat process with remaining shade rods.
- 3 Slip polished tube cover (13) over tube (12), followed by crystal (14). Hold parts in position.
- 4 Thread decorative knob (15) onto end of tube (12) and tighten.
- 5 Attach crystal (16) to hook located on the bottom of the shade rim at location (17).
- 6 Fixture can now be lamped accordingly.



FREDRICK RAMOND
ESTABLISHED 1965

800.421.3517 WWW.FREDRICKRAMOND.COM

01.01.11