



CASPIA

FR43752SLF

Bulbs: 60W CAND.

REPLACEMENT PARTS: R43750CRY; R43750STR

ASSEMBLY INSTRUCTIONS

Assembly of this fixture will be accomplished by first assembling the main fixture body, installing mounting hardware to junction box, mounting the fixture to the wall, and then mounting the crystals to the fixture.

SAFETY WARNING: Read wiring and grounding instructions [FRIS 18] and any additional directions. Turn power supply off during installation. If new wiring is required, consult a qualified electrician or local authorities for code requirements.

STEP 1

- 1 To assembly main body, thread threaded tube (2) into coupler (a) of main body (1) -see Drawing 1.
- 2 Fixture can now be mounted to the wall.

STEP 2

- 1 Prepare mounting strap (a) by threading tube (c) into the center hole of the mounting strap (a), approximately 1/4" - see Drawing 2.
- 2 Attach mounting strap (a) to junction box (j) using two screws (b) provided.

STEP 3 Make electrical connections from supply wire to fixture lead wires. Refer to instruction sheet (I.S. 18) and follow all instructions to make all necessary wiring connections. Then refer back to this sheet to continue installation of this fixture.

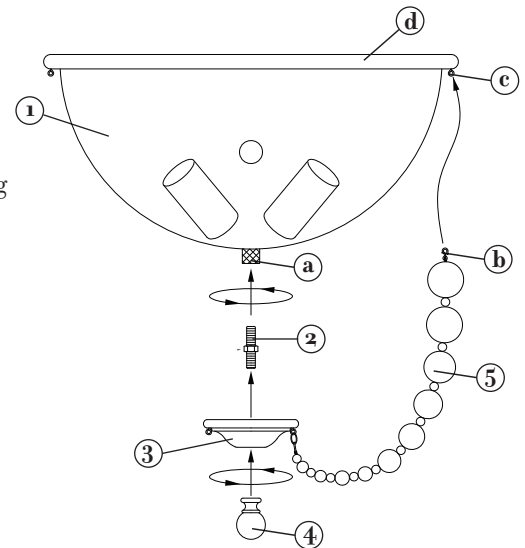
STEP 4

- 1 To mount backplate to wall, slip center hole of backplate (e) over thread tube (c) and hold fixture in position - see Drawing 2.
- 2 Thread decorative knob (d) onto end of nipple (c) and tighten to secure fixture.

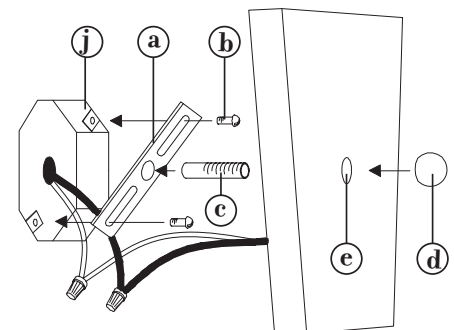
STEP 5

- 1 To attach crystals to fixture, slip bottom cap (3) over threaded tube (2).
- 2 Thread bottom finial (4) onto end of threaded tube (2) and tighten.
- 3 Fixture can now be lamped accordingly.
- 4 Starting at one end of top fixture ring (d) attach hooks (b) onto loops (c) around the half ring (e).
- 5 Fixture is now complete.

[DRAWING 1]



[DRAWING 2]



FREDRICK RAMOND

ESTABLISHED 1965

800.421.3517 WWW.FREDRICKRAMOND.COM

6.01.11