

# ALEXANDRA

FR43626PNI



*Bulbs:* 60W CANDELABRA    *Crystals:* R43626CRY-B, R43620CRY-E, R43620CRY-B, R43626CRY-A, R43620CRY-F, R43620CRY-G, R43620CRY-A

## ASSEMBLY INSTRUCTIONS

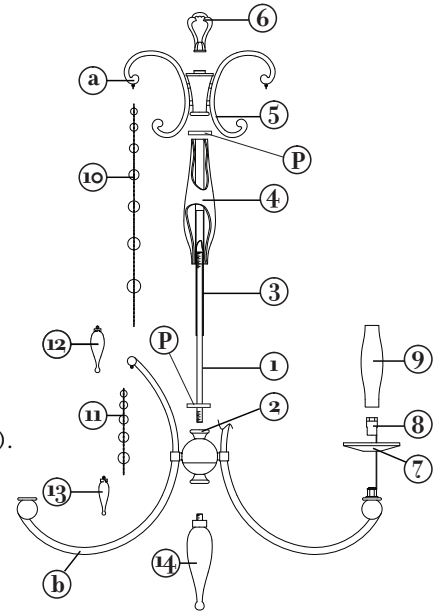
Assembly of this fixture will be accomplished by first assembling the primary fixture body, making all necessary electrical connections, hanging the fixture from the ceiling, and then installing the crystals.

**SAFETY WARNING:** Read wiring and grounding instructions [FRIS 18] and any additional directions. Turn power supply off during installation. If new wiring is required, consult a qualified electrician or local authorities for code requirements.

### STEP 1

- 1 To complete primary assembly of the fixture body, slip threaded tube (1) along wire and thread into top of fixture body (2) approximately 3/8" - See Drawing 1.
- 2 Slip plastic washer (P) followed by polished sleeve (3) over threaded tube (1).
- 3 Slip crystal center column (4) over polished sleeve (3) followed by plastic washer (P).
- 4 Slip top of column assembly (5) over remaining exposed end of threaded tube (1).
- 5 Slip loop (6) along wire and thread onto end of threaded tube (1) and tighten, making sure scroll arms (a) are positioned between the main body arms (b).

[DRAWING 1]



**STEP 2** Refer to Hanging Instruction Sheet [FRIS19] to hang fixture. Then refer back to this sheet to install crystals.

### STEP 3

- 1 Slip crystal bobesche (7) over candle socket (8) - see Drawing 1.
- 2 Slip candles sleeve (9) over socket (8) and into center hole of bobesche (7).
- 3 Fixture can now be lamped accordingly.
- 4 Hang the longest crystal strand (10) from the arms (a) of the top column assembly (5).
- 5 Hang the two short crystal strand (11) from the top of the arms (b) of the main body (6).
- 6 Hang the large crystal drop (12) from the bottom of the long crystal strand (10).
- 7 Hang the small crystal drop (13) from the bottom of the short crystal strand (11).
- 8 Thread bottom crystal finial (14) onto bottom of fixture.

crystal 4  
R43626CRY-B



crystal 7  
R43620CRY-E



crystal 10  
R43626CRY-A



crystal 11  
R43620CRY-B



crystal 12  
R43620CRY-G



crystal 13  
R43620CRY-F



crystal 14  
R43620CRY-A



FREDRICK RAMOND  
ESTABLISHED 1965

800.421.3517 WWW.FREDRICKRAMOND.COM

5.25.10