

ALEXANDRA



FR43621PNI

Bulbs: 60W CANDELABRA Crystals: R43620CRY-E, R43620CRY-A, R43621CRY-A, R43622CRY-A, R43620CRY-F, R43620CRY-G

ASSEMBLY INSTRUCTIONS

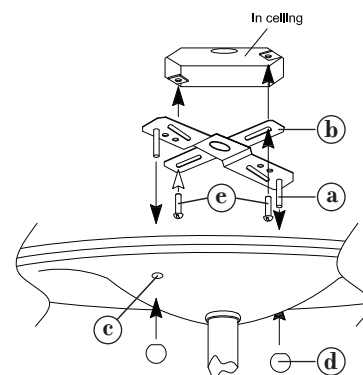
Assembly of this fixture will be accomplished by first installing the mounting strap to the junction box, making all necessary electrical connections, mounting the fixture to the ceiling and then installing the crystals.

SAFETY WARNING: Read wiring and grounding instructions [FRIS 18] and any additional directions. Turn power supply off during installation. If new wiring is required, consult a qualified electrician or local authorities for code requirements.

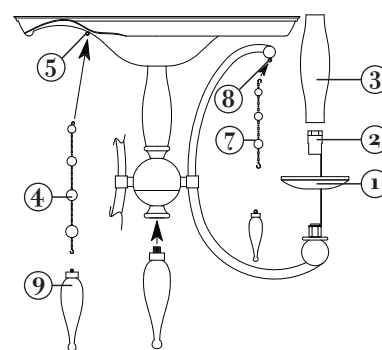
STEP 1

- 1 Shut current off before starting. If the fixture you are replacing is turned on and off by a wall switch, simply turn the switch off. If not, remove the appropriate fuse or open the circuit breaker. Do not restore current until the new fixture is completely wired and in place - See Drawing 1.
- 2 Thread two long 8-32 screws (a) provided, into mounting strap (b). Note: the two screws should be threaded into the gull wing shaped part of the mounting strap. With the flat part of the strap facing up. Make sure screws are threaded into holes that line up with the holes in the canopy (c).
- 3 Attach mounting strap to junction box with two short 8-32 screws (e) provided.
- 4 Make electrical connections from supply wire to fixture lead wires. Refer to instruction sheet [FRIS18] and follow all instructions to make all necessary wiring connections. Then refer back to this sheet to continue installation of this fixture.
- 5 After making appropriate wire connections. Slip canopy of fixture over screws (a) and secure fixture with ball knobs (d).

[DRAWING 1]

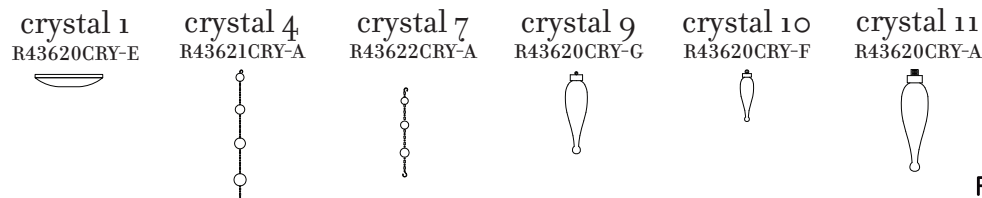


[DRAWING 2]



STEP 2

- 1 Slip crystal bobesche (1) over candle socket (2) - see Drawing 2.
- 2 Slip candle sleeve (3) over socket (2) and into center hole of bobesche (1).
- 3 Fixture can now be lamped accordingly.
- 4 Hang the longest crystal strand (4) on the inner most loop (5) of the canopy body (6).
- 5 Hang the short crystal strand (7) on the outer most loop (8) of the canopy body (6).
- 6 Hang the large crystal drop (9) from the bottom of the long crystal strand (4).
- 7 Hang the small crystal drop (10) from the bottom of the short crystal strand (7).
- 8 Thread bottom finial (11) onto bottom of fixture.



FR
FREDRICK RAMOND
ESTABLISHED 1965