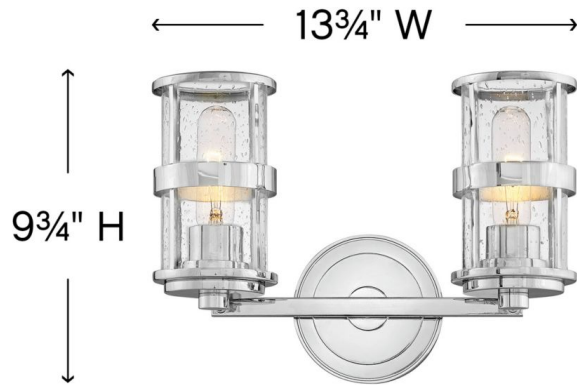


NOAH

5432CM

TWO LIGHT VANITY

Inspired by the sea, Noah's unique design offers a fresh spin on coastal chic. The sturdy steel construction incorporates nautical touches with lantern-like elements. A bold center band secures the clear seedy glass shade, elegantly diffusing the light source. Refined construction details complete this updated nautical design that will complement a range of vanity styles from coastal to contemporary.



DETAILS	
FINISH:	Chrome
MATERIAL:	Steel
GLASS:	Clear Seedy

DIMENSIONS	
WIDTH:	13.8"
HEIGHT:	9.8"
WEIGHT:	5 lbs.
BACK PLATE:	5" Dia.
EXTENSION:	5.8"
TOP TO OUTLET:	7.3"

LIGHT SOURCE	
LIGHT SOURCE:	Socket
WATTAGE:	2-100w Med.
VOLTAGE:	120v

SHIPPING	
CARTON LENGTH:	17.5"
CARTON WIDTH:	12.5"
CARTON HEIGHT:	10.5"
CARTON WEIGHT:	6.5 lbs.

PRODUCT DETAILS:

- Mounting hardware is hidden on the backplate to ensure a clean silhouette.
- Fixture can be mounted either up or down
- Suitable for use in damp (interior moist and outdoor no direct rain or sprinkler) locations as defined by NEC and CEC. Meets United States UL Underwriters Laboratories & CSA Canadian Standards Association Product Safety Standards
- Ideal for vintage filament bulbs (not included)
- Crisp, minimal design with elegant details make a fresh, modern impact
- Sparkling chrome with reflective finish

HINKLEY

HINKLEY
33000 Pin Oak Parkway
Avon Lake, OH 44012

PHONE: (440) 653-5500
Toll Free: 1 (800) 446-5539

hinkley.com