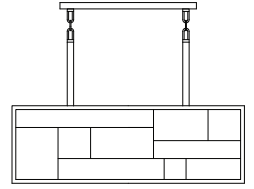
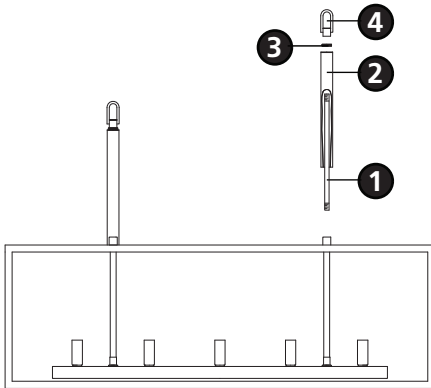


Family: Mondrian | Item No. 4575 KZ



Drawing 1 - Fixture Assembly



▼ start here

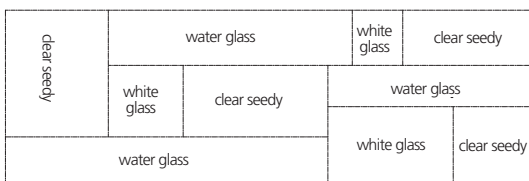
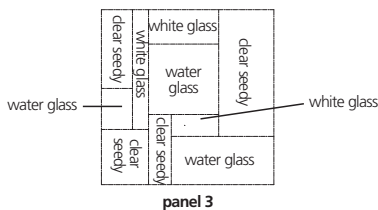
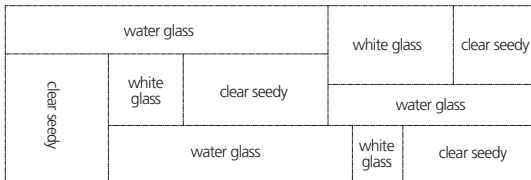
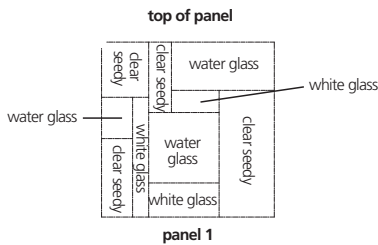
1

1. Find a clear area in which you can work.
2. Unpack fixture and glass from carton.
3. Carefully review instructions prior to assembly.

***** The construction of this fixture will be accomplished by first assembling the fixture, installing the fixture glass, installing the mounting bracket to the junction box, making all necessary electrical connections and hanging the fixture from the ceiling.**

Drawing 2 - Glass Installation

SAFETY WARNING: READ WIRING AND GROUNDING INSTRUCTIONS (I.S. 18) AND ANY ADDITIONAL DIRECTIONS. TURN POWER SUPPLY OFF DURING INSTALLATION. IF NEW WIRING IS REQUIRED, CONSULT A QUALIFIED ELECTRICIAN OR LOCAL AUTHORITIES FOR CODE REQUIREMENTS.



bottom of panel

2

1. To assemble fixture, thread center tube (1) into coupler (A) approximately 3/8" - see **Drawing 1**.
2. Slip square tube (2) over center tube (1) and fit over square base (B).
3. Thread knurl nut (3) onto center tube (1) and tighten.
4. Thread loop (4) onto end of center tube (1) and tighten.

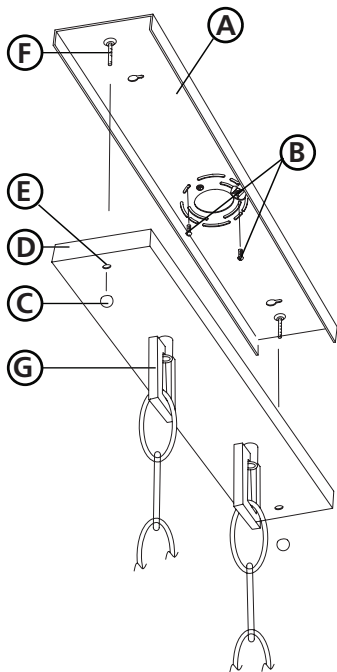
3

1. To install glass panels, unwrap and organize glass panels - see **Drawing 2**.
2. Refer to glass installation instruction sheet provided. Then refer to hanging instruction sheet (I.S. 19-75) provided to hang fixture. Then fixture can be lamped accordingly.

Note: Maximum wattage for 4575 fixture is 60 watts per bulb.

10.29.09

Drawing 1 - Fixture Assembly



▼ start here

SAFETY WARNING: READ WIRING AND GROUNDING INSTRUCTIONS (I.S. 18) AND ANY ADDITIONAL DIRECTIONS. TURN POWER SUPPLY OFF DURING INSTALLATION. IF NEW WIRING IS REQUIRED, CONSULT A QUALIFIED ELECTRICIAN OR LOCAL AUTHORITIES FOR CODE REQUIREMENTS.

1

1. Shut off electrical current before starting. If the fixture you are replacing is turned on and off by a wall switch, simply turn the switch off. If not, remove the appropriate fuse (or open the circuit breakers) until the fixture is dead.

- DO NOT restore current - either by fuse, breaker or switch - until the new fixture is completely wired and in place.

2

1. Fasten retainer plate **(A)** to outlet box with the original outlet box screws **(B)** - see **Drawing 1**.

3

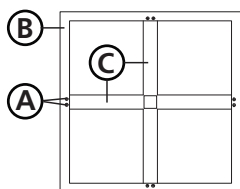
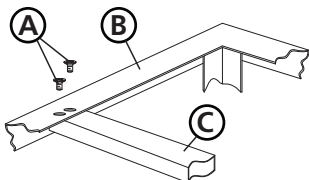
1. Taking the chain, determine the length you require to hang the fixture.
2. Attach one end of the chain to the top loop of the fixture.
3. Attach other end of chain to loop **(G)** on canopy.

4

1. Unwrap supply wire and ground wire and weave them up through the chain.
2. Slip supply wire and ground wire through center hole of loop **(G)**.
Note: Get assistance for this step since fixture may be heavy and difficult to hold while attaching the chain.
3. Connect ground wire to retainer plate **(A)** using green ground screw **(H)**.
4. Make electrical connections from supply wire to fixture lead wires. Refer to instruction sheet **(I.S. 18)** and follow all instructions to make all necessary wiring connections.
5. Slip canopy **(D)** over nipple **(F)** and up against ceiling.
6. Thread decorative finial **(C)** onto end of nipple **(F)**.

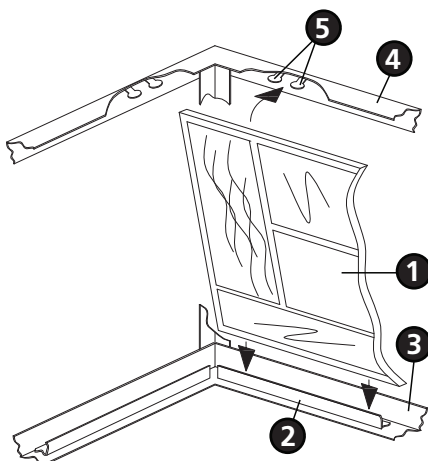
Mondrian glass installation

Drawing 1 - Glass Installation



top view of fixture cage

Drawing 2 - Glass Installation



▼ start here

- This instruction sheet is intended for the installation of the Mondrian family glass.

1

1. To install glass panels, it is necessary to first remove the crossbar located at the top of the cage assembly. This is attached to the center cluster assembly of the fixture.
2. To remove crossbar, remove screws **(A)** from the top of cage assembly **(B)** - see **Drawing 1**.
3. Remove cage assembly from crossbar and center cluster assembly.
4. Set crossbar and center cluster assembly along with previously removed screws aside.

2

1. At this point you should have your glass panels layed out as instructed on the main instruction sheet. Remember to note top and bottom.
2. Take the first panel and place bottom of panel **(1)** behind metal channel **(2)** located at the bottom of cage assembly **(3)** - see **Drawing 2**.
3. Tilt panel up into the top of cage **(4)** and carefully bend down clips **(5)** with a screw driver to secure panel in cage.
4. Repeat step 2-3 for remaining glass panels.
5. Once all glass panels have been secured, replace crossbar and center cluster assembly by reattaching crossbar to top of cage assembly with screws **(A)** - see **Drawing 1**.

10.29.09