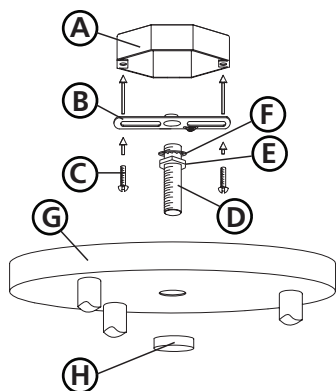
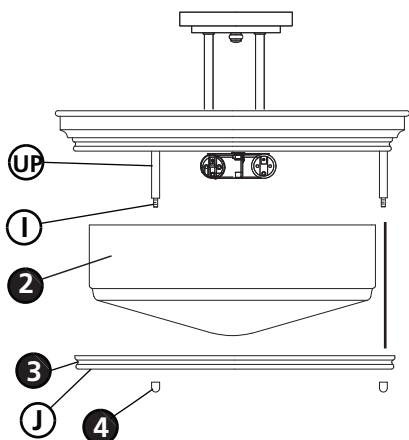


## ▼ start here

**Drawing 2 - Fixture Mounting**



**Drawing 2 - Glass Installation**



**1**

1. Find a clear area in which you can work.
2. Unpack fixture and glass from carton.
3. Carefully review instructions prior to assembly.

**\*\*\* The construction of this fixture will be accomplished by first mounting the mounting strap to the junction box, making all necessary electrical connections, hanging the fixture from the ceiling, and then installing the glass.**

**2**

1. Fasten mounting strap (B) to outlet box (A) with the original box screws (C) - see **Drawing 1**.
2. Thread nipple (D) into mounting strap (B) approximately 3/8".
3. Hex nuts (E) and lockwashers (F) can be used to lock threaded nipple (D) by tightening against mounting strap (B) after adjusting nipple height.

**SAFETY WARNING: READ WIRING AND GROUNDING INSTRUCTIONS (I.S. 18) AND ANY ADDITIONAL DIRECTIONS. TURN POWER SUPPLY OFF DURING INSTALLATION. IF NEW WIRING IS REQUIRED, CONSULT A QUALIFIED ELECTRICIAN OR LOCAL AUTHORITIES FOR CODE REQUIREMENTS.**

**3**

Make electrical connections from supply wire to fixture lead wires. Refer to instruction sheet (I.S. 18) and follow all instructions to make all necessary wiring connections. Then refer back to this sheet to continue installation of this fixture.

**4**

1. Slip canopy (G) over nipple (D) and up against ceiling - see **Drawing 1**.
2. Thread decorative finial (H) onto end of nipple (D) and tighten to secure fixture.

**5**

1. Prior to installing glass, fixture should be lamped.
2. To install glass (2), lay glass into ring (3) - see **Drawing 2**.
3. Slip the 3 holes (J) of ring (3) over the threaded studs (I) of the uprights (UP) and hold in position.
4. Thread decorative knobs (4) onto end of studs (G) and tighten to secure glass.