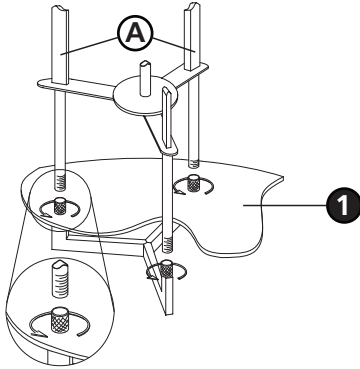
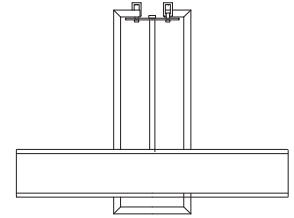
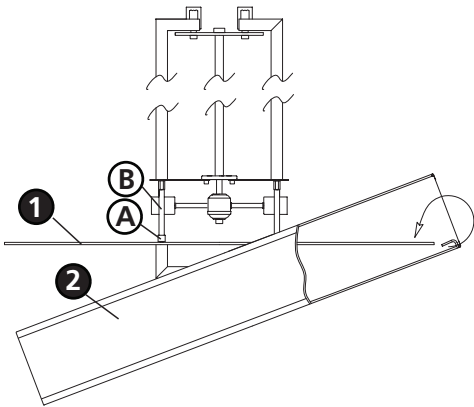


Family: Hampton | Item No. 3208 AN/BR

Drawing 1 - Fixture Assembly



Drawing 2 - Fixture Assembly



▼ start here

1

1. Find a clear area in which you can work.
2. Unpack fixture and glass from carton.
3. Carefully review instructions prior to assembly.

***** The construction of this fixture will be accomplished by first assembling the main body structure, installing the mounting hardware to the junction box, hanging the fixture from the ceiling and then installing the shade.**

SAFETY WARNING: READ WIRING AND GROUNDING INSTRUCTIONS (I.S. 18) AND ANY ADDITIONAL DIRECTIONS. TURN POWER SUPPLY OFF DURING INSTALLATION. IF NEW WIRING IS REQUIRED, CONSULT A QUALIFIED ELECTRICIAN OR LOCAL AUTHORITIES FOR CODE REQUIREMENTS.

2

1. Attach acrylic lens assembly (1) by threading coupler (A) onto end of lower upright stems (B) - see **Drawings 1 and 2**.
2. Refer to hanging instruction sheet (**I.S.19-75**) provided to hang fixture. Then refer back to this sheet to continue installation of this fixture.

3

1. Fixture can now be lamped accordingly.
2. Slip shade (2) onto acrylic lens assembly (1) - see **Drawing 2**.

Note: Maximum wattage for 3208 fixture is 100 watts per bulb.

8.31.09