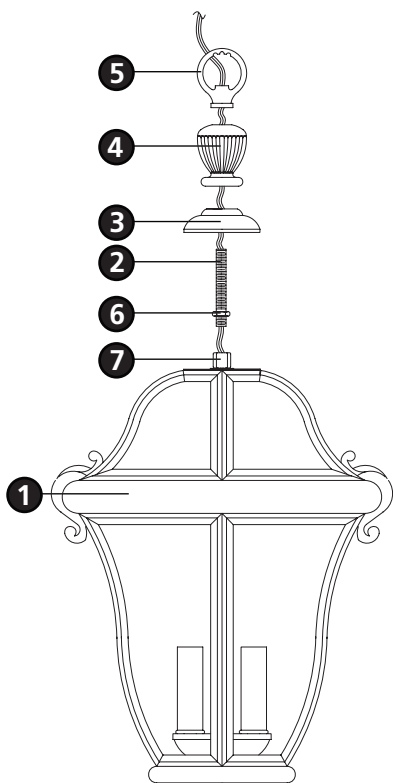


Drawing 1 - Fixture Assembly



▼ start here

1

1. Find a clear area in which you can work.
2. Unpack fixture and glass from carton.
3. Carefully review instructions prior to assembly.

***** The construction of this fixture will be accomplished by first assembling the fixture, installing the mounting bracket to the junction box, making all necessary electrical connections, and hanging the fixture from the ceiling.**

SAFETY WARNING: READ WIRING AND GROUNDING INSTRUCTIONS (I.S. 18) AND ANY ADDITIONAL DIRECTIONS. TURN POWER SUPPLY OFF DURING INSTALLATION. IF NEW WIRING IS REQUIRED, CONSULT A QUALIFIED ELECTRICIAN OR LOCAL AUTHORITIES FOR CODE REQUIREMENTS.

2

1. To assemble fixture, slip center stem (2) along wire and thread into coupler (7), located at top of cage assembly (1), approximately 3/8".
2. Thread hex nut (6) down center stem (2) and tighten against coupler (7).
3. Slip cap (3) along wire and onto center stem (2).
4. Slip decorative knob (4) along wire and onto center stem (2).
5. Slip loop (5) along wire and thread onto end of center stem (2) and tighten.
6. Please refer to the hanging instruction sheet (I.S. 19) provided to hang this fixture. Then fixture can be lamped accordingly.

Note: Maximum wattage for 2442 fixture is 40 watts per bulb.

2.7.08