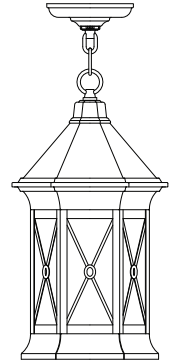
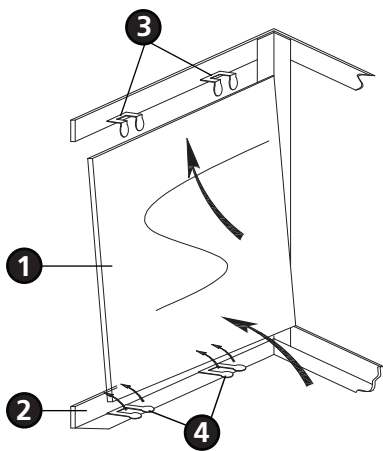


Family: Brighton | Item No. 2292



Drawing 1 - Glass Installation



## ▼ start here

1

1. Find a clear area in which you can work.
2. Unpack fixture and glass from carton.
3. Carefully review instructions prior to assembly.

**\*\*\* The construction of this fixture will be accomplished by first making all necessary electrical connections, hanging the fixture from the ceiling and then installing the glass.**

**SAFETY WARNING: READ WIRING AND GROUNDING INSTRUCTIONS (I.S. 18) AND ANY ADDITIONAL DIRECTIONS. TURN POWER SUPPLY OFF DURING INSTALLATION. IF NEW WIRING IS REQUIRED, CONSULT A QUALIFIED ELECTRICIAN OR LOCAL AUTHORITIES FOR CODE REQUIREMENTS.**

2

Make electrical connections from supply wire to fixture lead wires. Refer to instruction sheet **(I.S. 18)** and follow all instructions to make all necessary wiring connections. Then refer back to this sheet to continue installation of this fixture.

3

1. Please refer to the hanging instruction sheet **(I.S. 19)** provided to continue installation of this fixture. Then refer back to this sheet to install glass.

4

1. To install glass, slip glass panel **(1)** through bottom of cage assembly **(2)** - see **Drawing 1**.
2. Slip top of glass panel **(1)** under top glass clips **(3)**.
3. Slip bottom of glass panel **(1)** into the bottom of the cage assembly **(2)**.
4. Bend lower glass clips **(4)** up to retain glass panels **(1)**.
5. Repeat steps 1-4 for remaining panels.
6. Fixture can now be lamped accordingly.

Note: Maximum wattage for 2292 fixture is 60 watts per bulb.

6.01.11