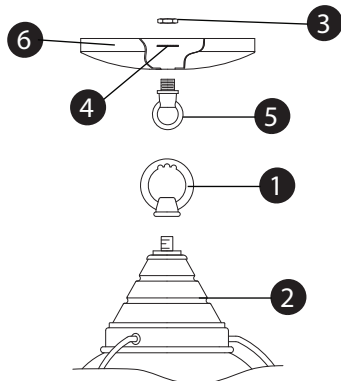
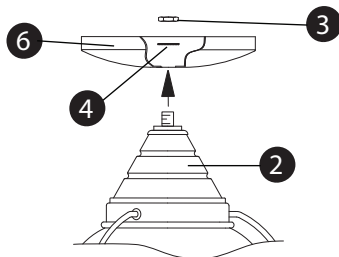


Item No. 2203

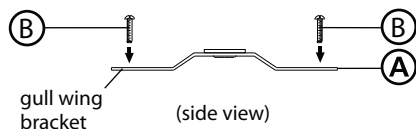
Drawing 1 - Fixture Preparation



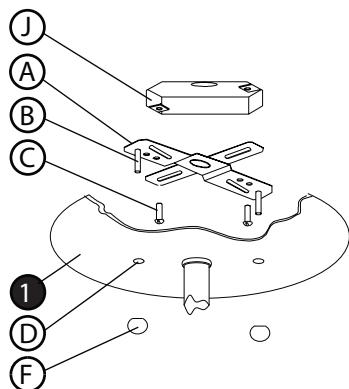
Drawing 2 - Fixture Assembly



Drawing 1 - Strap Detail



Drawing 2 - Fixture Mounting



▼ start here

1

1. Find a clear area in which you can work.
2. Unpack fixture and glass from carton.
3. Carefully review instructions prior to assembly.

*** The fixture is designed to be mounted flush to the ceiling or by chain. To hang the fixture as a flush mount please proceed with below instructions on preparing the fixture for flush mounting and installation. If fixture is to be chain hung follow instruction sheet I.S.20 provided.

2

1. To prepare fixture for flush mounting to ceiling, first remove loop (1) from top of main fixture body (2) - see drawing 1.

2. Remove hexnut (3), lockwasher (4) and canopy loop (5) from canopy (6).
Note: Set lock washer (4) and hex nut (3) aside for use later.

3

1. To attach canopy (6) to main fixture body, slip center hole of canopy (6) over threaded tube (7) on top of main fixture body (2) - see Drawing 2.

2. Slip lockwasher (4) remove earlier over threaded tube (7) and thread on hex nut (3) and tighten to secure main fixture body (2) to canopy (6). Fixture is ready for installation, follow mounting instructions below.

SAFETY WARNING: READ WIRING AND GROUNDING INSTRUCTIONS (I.S. 18) AND ANY ADDITIONAL DIRECTIONS. TURN POWER SUPPLY OFF DURING INSTALLATION. IF NEW WIRING IS REQUIRED, CONSULT A QUALIFIED ELECTRICIAN OR LOCAL AUTHORITIES FOR CODE REQUIREMENTS.

4

- Make electrical connections from supply wire to fixture lead wires. Refer to instruction sheet (I.S. 18) and follow all instructions to make all necessary wiring connections. Then refer back to this sheet to continue installation of this fixture.

5

1. Prepare gem strap (A) for mounting by threading two screws (C) provided into back of gull wing bracket of gem strap (A) - see Drawing 1.

• Be sure the holes into which the screws are threaded match the spacing of holes (D) in the ceiling pan (1) - see Drawings 1 and 2.

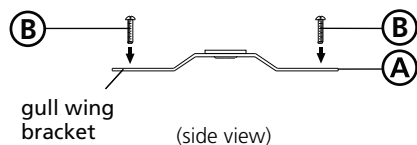
2. Mount gem strap (A) to junction box (J), using the two 1" screws (B) provided.

6

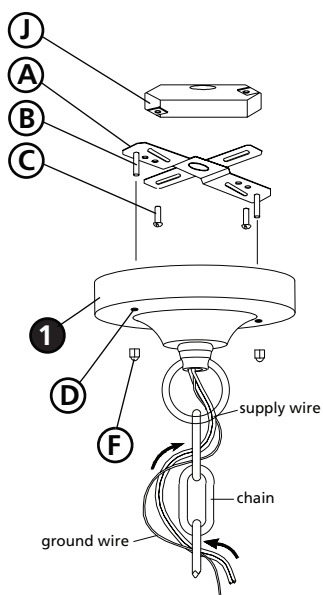
1. Hang the fixture by slipping the holes (D) in the canopy (E) over the screws (B) in the mounting strap (A) - see Drawing 3 .

2. Thread on ball knobs (F) to secure fixture to the ceiling.

Drawing 1 - Strap Detail



Drawing 2 - Fixture Mounting



▼ start here

1

1. Prepare gem strap **(A)** for mounting by threading two screws **(B)** provided into back of gull wing bracket of gem strap **(A)** - see **Drawing 1**.

- Be sure the holes into which the screws are threaded match the spacing of holes **(D)** in the ceiling pan **(1)** - see **Drawings 1 and 2**.

3. Mount gem strap **(A)** to junction box **(J)**, using the two 1" screws **(C)** provided.

SAFETY WARNING: READ WIRING AND GROUNDING INSTRUCTIONS (I.S. 18) AND ANY ADDITIONAL DIRECTIONS. TURN POWER SUPPLY OFF DURING INSTALLATION. IF NEW WIRING IS REQUIRED, CONSULT A QUALIFIED ELECTRICIAN OR LOCAL AUTHORITIES FOR CODE REQUIREMENTS.

2

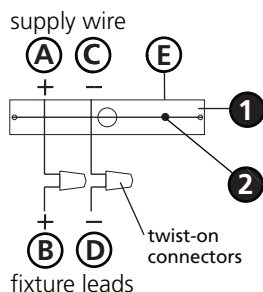
1. Determine the length of chain you will require.
2. Attach chain to loop on top of fixture and weave supply wire and ground through chain.
3. Attach loop from canopy to the chain.
4. Fixture is ready for hanging.

Make electrical connections from supply wire to fixture lead wires. Refer to instruction sheet **(I.S. 18)** and follow all instructions to make all necessary wiring connections. Then refer back to this sheet to continue installation of this fixture.

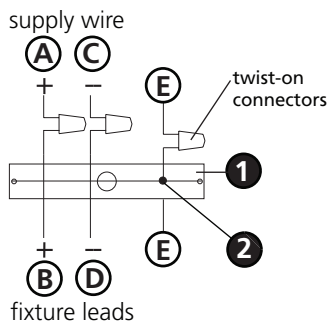
3

1. Hang the fixture by slipping the holes **(D)** in the canopy **(1)** over the screws **(B)** in the mounting strap **(A)** - see **Drawing 2**.
2. Thread on ball knobs **(F)** to secure fixture to the ceiling.

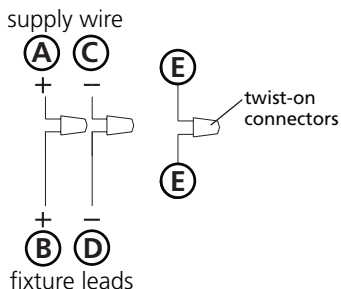
Drawing 1 - Flush Mount



Drawing 2 - Chain Hung



Drawing 3 - Post-Mount



SAFETY WARNING: READ WIRING AND GROUNDING INSTRUCTIONS (I.S. 18) AND ANY ADDITIONAL DIRECTIONS. TURN POWER SUPPLY OFF DURING INSTALLATION. IF NEW WIRING IS REQUIRED, CONSULT A QUALIFIED ELECTRICIAN OR LOCAL AUTHORITIES FOR CODE REQUIREMENTS.

wiring instructions

Indoor Fixtures

1. Connect positive supply wire **(A)** (typically black or the smooth, unmarked side of the two-conductor cord) to positive fixture lead **(B)** with appropriately sized twist on connector - see **Drawings 1 or 2**.
2. Connect negative supply wire **(C)** (typically white or the ribbed, marked side of the two-conductor cord) to negative fixture lead **(D)**.
3. Please refer to the **grounding instructions** below to complete all electrical connections.

Outdoor Fixtures

1. Connect positive supply wire **(A)** (typically black or the smooth unmarked side of the two-conductor cord) to positive fixture lead **(B)** with appropriately sized twist on connector - see **Drawings 2 or 3**.
2. Connect negative supply wire **(C)** (typically white or the ribbed, marked side of the two-conductor cord) to negative fixture lead **(D)**.
3. Cover open end of connectors with silicone sealant to form a watertight seal.
 - If installing a wall mount fixture, use caulk to seal gaps between the fixture mounting plate (backplate) and the wall. This will help prevent water from entering the outlet box. If the wall surface is lap siding, use caulk and a fixture mounting platform specially.
4. Please refer to the **grounding instructions** below to complete all electrical connections.

grounding instructions

Flush Mount Fixtures

For positive grounding in a 3-wire electrical system, fasten the fixture ground wire **(E)** (typically copper or green plastic coated) to the fixture mounting strap **(1)** with the ground screw **(2)** - see **Drawing 1**.

Note: On straps for screw supported fixtures, first install the two mounting screws in strap. Any remaining tapped hole may be used for the ground screw.

Chain Hung Fixtures

Loop fixture ground wire **(E)** (typically copper or green plastic coated) under the head of the ground screw **(2)** on fixture mounting strap **(1)** and connect to the loose end of the fixture ground wire directly to the ground wire of the building system with appropriately sized twist-on connectors - see **Drawing 2**.

Post-Mount Fixtures

Connect fixture ground wire **(E)** (typically copper or green plastic coated) to power supply ground with appropriately sized twist-on connector inside post. Cover open end of connector with silicone sealant to form a watertight seal - see **Drawing 3**.