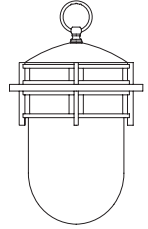
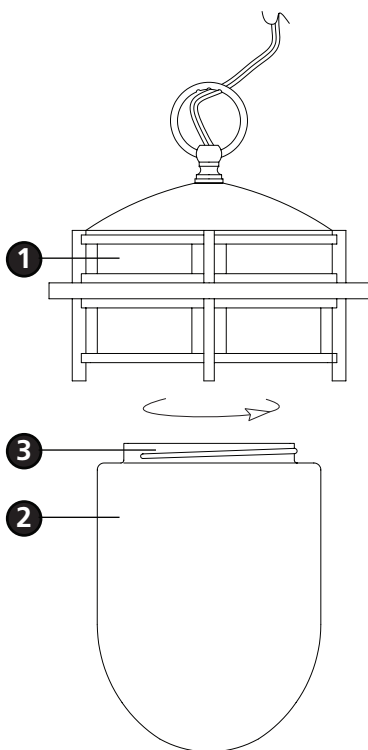


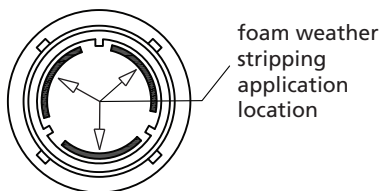
Family: Reef | Item No. 1952 HE/VZ



**Drawing 1 - Fixture Assembly**



**Drawing 2 - Gasket Installation**



## ▼ start here

**1**

1. Find a clear area in which you can work.
2. Unpack fixture and glass from carton.
3. Carefully review instructions prior to assembly.

**\*\*\* The construction of this fixture will be accomplished by first making all necessary electrical connections, hanging the fixture from the ceiling, and then installing the glass.**

**SAFETY WARNING: READ WIRING AND GROUNDING INSTRUCTIONS (I.S. 18) AND ANY ADDITIONAL DIRECTIONS. TURN POWER SUPPLY OFF DURING INSTALLATION. IF NEW WIRING IS REQUIRED, CONSULT A QUALIFIED ELECTRICIAN OR LOCAL AUTHORITIES FOR CODE REQUIREMENTS.**

**2**

1. Please refer to the hanging instruction sheet (**I.S. 19**) provided to hang this fixture. Then refer back to this sheet to install the glass.

**3**

1. Prior to installing glass, it is necessary to install foam weather stripping in the roof of the fixture - see **Drawing 3**.
2. Cut 3 strips approximately 1-1/2" long from the foam weather stripping provided in the parts bag with the fixture.

**4**

1. Fixture can now be lamped accordingly.
2. The glass in this fixture is installed by lining up the three grooves (**3**) in the glass with the three tabs located inside the roof - see **Drawing 1**.
3. To install glass (**2**) align grooves and slip glass up into roof. Turn glass clockwise to lock it in.

Note: Maximum wattage for 1952 fixture is 100 watts per bulb.

7.6.10