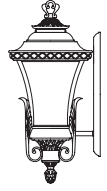
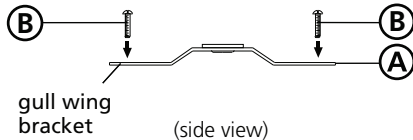


Family: Brynmar | Item No. 1935 RB

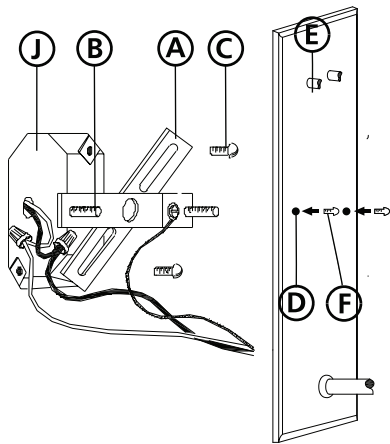


▼ start here

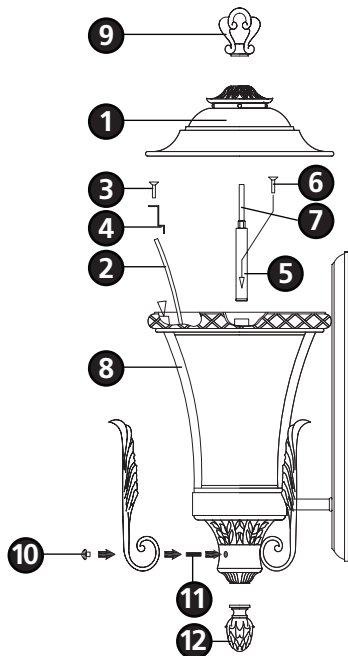
Drawing 1 - Strap Detail



Drawing 2 - Fixture Mounting



Drawing 3 - Fixture Assembly



1

1. Find a clear area in which you can work.
2. Unpack fixture and glass from carton.
3. Carefully review instructions prior to assembly.

***** The construction of this fixture will be accomplished by first installing the glass, making all necessary electrical connections, mounting the mounting strap to the junction box, mounting the fixture to the wall, and then assembling main body.**

2

1. To install glass panels, remove screws (3) which retain glass clips (4) in place - see **Drawing 3**.
2. Slide glass panels into cage, making sure bottom of glass is in front of tab in bottom of cage.
3. Replace glass clips (4) using screws (3) that were removed earlier.
4. Mount bracket (5) to top of cage by removing screws (6), putting bracket (5) in place and threading screws (6) back into hole they were removed from.

3

1. Prepare mounting strap (A) by threading the two 8-32 long mounting screws (B) into the back of the gull wing bracket - see **Drawing 1**.
 - Be sure the holes into which the screws are threaded match the spacing of holes (D) in the back plate (E) - see **Drawings 1 and 2**.
2. Attach mounting strap (A) to junction box (J) using two 8-32 screws (C) 1" long (not provided) - see **Drawing 2**.

SAFETY WARNING: READ WIRING AND GROUNDING INSTRUCTIONS (I.S. 18) AND ANY ADDITIONAL DIRECTIONS. TURN POWER SUPPLY OFF DURING INSTALLATION. IF NEW WIRING IS REQUIRED, CONSULT A QUALIFIED ELECTRICIAN OR LOCAL AUTHORITIES FOR CODE REQUIREMENTS.

4

Make electrical connections from supply wire to fixture lead wires. Refer to instruction sheet (I.S. 18) and follow all instructions to make all necessary wiring connections. Then refer back to this sheet to continue installation of this fixture.

5

1. Slip the two mounting screws (B) through the two mounting holes in the backplate (E) - see **Drawing 2**.
2. While holding fixture in place, thread the two ball knobs (F) onto mounting screw (B) and tighten.

6

1. To assemble main body, slip roof (1) over center stem (7) and seat it properly on the cage (8) - see **Drawing 3**.
2. Thread top finial (9) onto end of stem (7) that is protruding from the center of roof (1).
3. To attach decorative leaves (10), screw stud (12) into hole (9).
4. Slip decorative leaf (10) over stud (11) and thread on decorative knob (12).

Note: Maximum wattage for 1935 fixture is 100 watts per bulb.

2.7.08