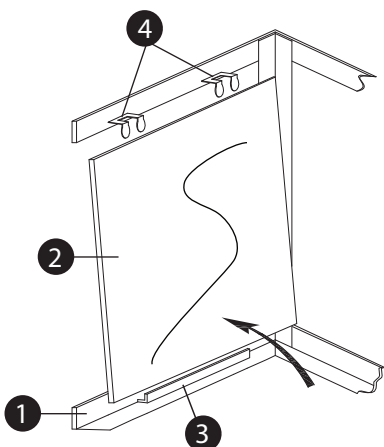


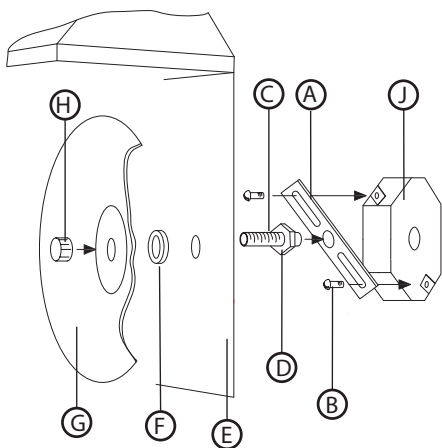
Item No. 1840 / 1844 / 1845

## ▼ start here

Drawing 1 - Glass Installation



Drawing 2 - Fixture Mounting



**1**

1. Find a clear area in which you can work.
2. Unpack fixture and glass from carton.
3. Carefully review instructions prior to assembly.

\*\*\* The construction of this fixture will be accomplished by first installing the glass, attaching mounting hardware to the junction box, making all necessary electrical connections, attaching the fixture to the wall.

**2**

1. To install glass panels (2), slip them up through the open bottom of the cage (1). The center stem that is attached to the socket cluster assembly (not shown) is on a swivel and can be moved to aid in installing the glass - see Drawing 1.
2. Slip bottom of glass panels (2) into channel (3) in bottom of cage (1) tip top of panel into position, and bend over clips (4) to secure glass in cage. Repeat procedure for remaining panels of glass.

**3**

1. Prepare threaded tube (C) by threading on hex nut (D) approximately 1/2".
2. Thread tube (C) in mounting strap (A), approximately 1/4" - see Drawing 2.
3. Attach mounting strap (A) to junction box (J) using two screws (B) provided.
4. It will be necessary to adjust threaded tube (C). This is done by slipping the mounting hole (E) over threaded tube (C) and holding the fixture against the wall. Adjust threaded tube (C) until there is approximately 3/8" of thread showing inside the fixture. Remove fixture from wall and tighten hex nut (D) against mounting bracket (A) to secure threaded tube (C) in place.

SAFETY WARNING: READ WIRING AND GROUNDING INSTRUCTIONS (I.S. 18) AND ANY ADDITIONAL DIRECTIONS. TURN POWER SUPPLY OFF DURING INSTALLATION. IF NEW WIRING IS REQUIRED, CONSULT A QUALIFIED ELECTRICIAN OR LOCAL AUTHORITIES FOR CODE REQUIREMENTS.

**4**

Make electrical connections from supply wire to fixture lead wires. Refer to instruction sheet (I.S. 18) and follow all instructions to make all necessary wiring connections. Then refer back to this sheet to continue installation of this fixture.

**5**

1. To mount fixture, slip center hole of backplate (E) over threaded tube (C) and hold fixture in position - see Drawing 1.
2. Thread decorative nut (F) onto end of threaded tube (C) and tighten to secure fixture.
3. Slip reflector (G) onto threaded tube (C).
4. To complete assembly thread barrel knob (H) onto end of threaded tube (C) and tighten.
5. your fixture can now be lamped accordingly.

## Drawing 1 - Flush Mount



## Drawing 2 - Chain Hung



## Drawing 3 - Post-Mount



**SAFETY WARNING: READ WIRING AND GROUNDING INSTRUCTIONS (I.S. 18) AND ANY ADDITIONAL DIRECTIONS. TURN POWER SUPPLY OFF DURING INSTALLATION. IF NEW WIRING IS REQUIRED, CONSULT A QUALIFIED ELECTRICIAN OR LOCAL AUTHORITIES FOR CODE REQUIREMENTS.**

## wiring instructions

### Indoor Fixtures

1. Connect positive supply wire **(A)** (typically black or the smooth, unmarked side of the two-conductor cord) to positive fixture lead **(B)** with appropriately sized twist on connector - see **Drawings 1 or 2**.
2. Connect negative supply wire **(C)** (typically white or the ribbed, marked side of the two-conductor cord) to negative fixture lead **(D)**.
3. Please refer to the **grounding instructions** below to complete all electrical connections.

### Outdoor Fixtures

1. Connect positive supply wire **(A)** (typically black or the smooth unmarked side of the two-conductor cord) to positive fixture lead **(B)** with appropriately sized twist on connector - see **Drawings 2 or 3**.
2. Connect negative supply wire **(C)** (typically white or the ribbed, marked side of the two-conductor cord) to negative fixture lead **(D)**.
3. Cover open end of connectors with silicone sealant to form a watertight seal.
  - If installing a wall mount fixture, use caulk to seal gaps between the fixture mounting plate (backplate) and the wall. This will help prevent water from entering the outlet box. If the wall surface is lap siding, use caulk and a fixture mounting platform specially.
4. Please refer to the **grounding instructions** below to complete all electrical connections.

## grounding instructions

### Flush Mount Fixtures

For positive grounding in a 3-wire electrical system, fasten the fixture ground wire **(E)** (typically copper or green plastic coated) to the fixture mounting strap **(1)** with the ground screw **(2)** - see **Drawing 1**.

Note: On straps for screw supported fixtures, first install the two mounting screws in strap. Any remaining tapped hole may be used for the ground screw.

### Chain Hung Fixtures

Loop fixture ground wire **(E)** (typically copper or green plastic coated) under the head of the ground screw **(2)** on fixture mounting strap **(1)** and connect to the loose end of the fixture ground wire directly to the ground wire of the building system with appropriately sized twist-on connectors - see **Drawing 2**.

### Post-Mount Fixtures

Connect fixture ground wire **(E)** (typically copper or green plastic coated) to power supply ground with appropriately sized twist-on connector inside post. Cover open end of connector with silicone sealant to form a watertight seal - see **Drawing 3**.

 **start here**

---

1. After securing fixture to the wall it is recommended that the gap between the wall and the fixture backplate be sealed with any good quality waterproof caulk or silicone sealant, on the top and sides leaving the bottom open as a weep hole.  
(NOT INCLUDED) see Drawing 1.



**Drawing 1**