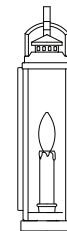
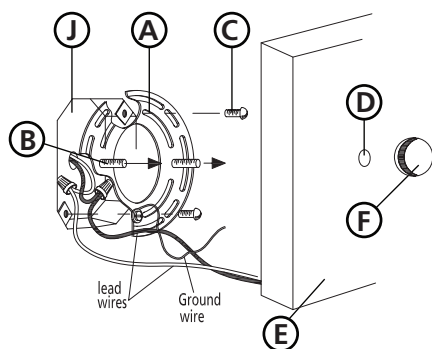


Family: Revere | Item No. 1180 SN



Drawing 1 - Fixture Mounting



1

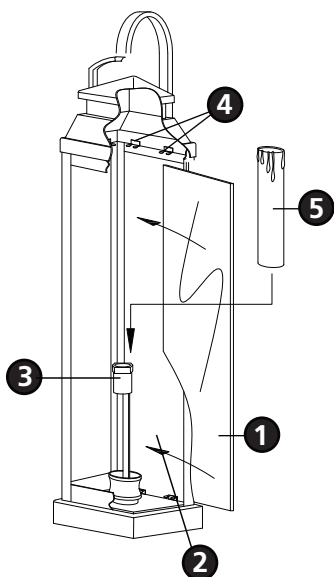
1. Find a clear area in which you can work.
2. Unpack fixture and glass from carton.
3. Carefully review instructions prior to assembly.

***** The construction of this fixture will be accomplished by first installing the glass, mounting the mounting strap to the junction box, making all necessary electrical connections, and then mounting the fixture to the wall.**

2

1. To install glass, open side door (not shown on drawing 2) of fixture by lifting up on the small wire tab located on the right side of the fixture when looking at it straight on - see **Drawing 2**.
2. Install small panel of glass (1) on left side of fixture by slipping the glass into the cage through the door opening (2) at a slight angle and around the socket (3) and into position.
3. Fold glass clips (4) located at the top and bottom of the cage so they contact the glass and hold it in position.
4. Repeat procedure for front and back large panels of glass. Starting with the back panel.
5. When all glass panels are installed, the candle sleeve (5) can be slipped over socket (3).
6. Fixture can now be lamped accordingly.

Drawing 2 - Assembly



3

1. Prepare mounting strap (A) by threading the two 1 1/4" long mounting screws (B) into the back of the mounting strap (A) - see **Drawing 1**.
 - Be sure the holes into which the screws are threaded match the spacing of holes (D) in the backplate (E).
2. Attach mounting strap (A) to junction box (J) using two 1" screws (C).

SAFETY WARNING: READ WIRING AND GROUNDING INSTRUCTIONS (I.S. 18) AND ANY ADDITIONAL DIRECTIONS. TURN POWER SUPPLY OFF DURING INSTALLATION. IF NEW WIRING IS REQUIRED, CONSULT A QUALIFIED ELECTRICIAN OR LOCAL AUTHORITIES FOR CODE REQUIREMENTS.

4

Make electrical connections from supply wire to fixture lead wires. Refer to instruction sheet (I.S. 18) and follow all instructions to make all necessary wiring connections. Then refer back to this sheet to continue installation of this fixture.

5

1. To mount fixture, slip the two mounting screws (B) through the two mounting holes (D) in the backplate (E) - see **Drawing 1**.
2. While holding fixture in place, thread the two ball knobs (F) on to the end of the mounting screws (B), and tighten.

Note: Maximum wattage for 1180 fixture is 60 watts per bulb.

6.1.10