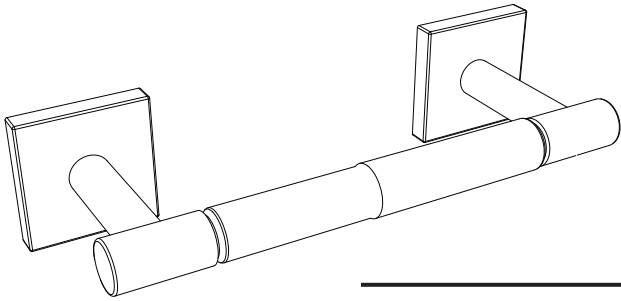




Elevate Collection

General Specifications



Tissue Holder

#4053A (Chrome)
#4073A (Satin Nickel)

