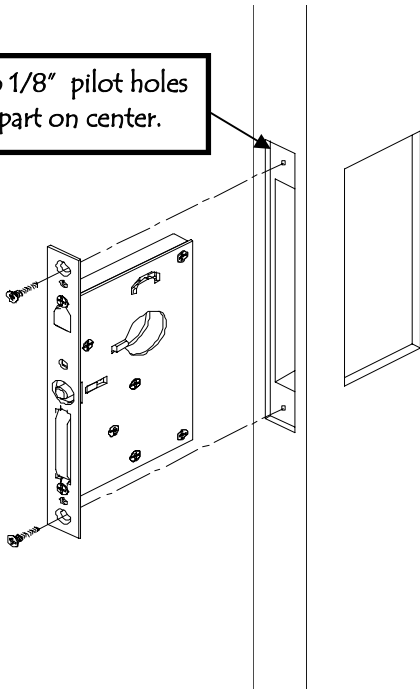


See included template for door prep specifications

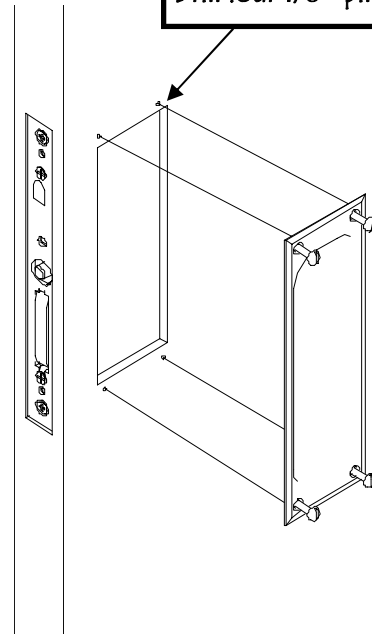
Drill two 1/8" pilot holes
7-1/8" apart on center.



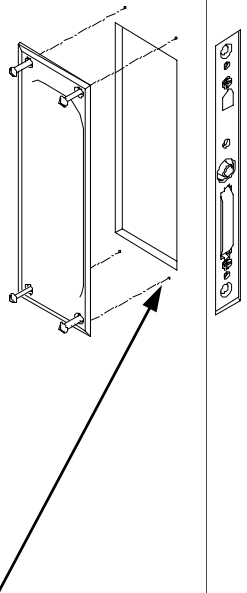
Install lock body into door.

Inside Trim

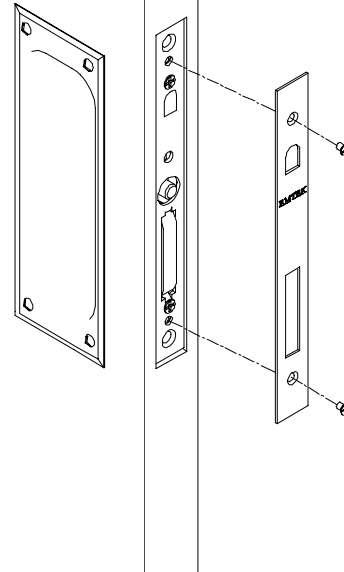
Drill four 1/8" pilot holes



Outside Trim



Drill four 1/8" pilot holes



Secure Trim Plate with 6-32
Machine screws (provided).