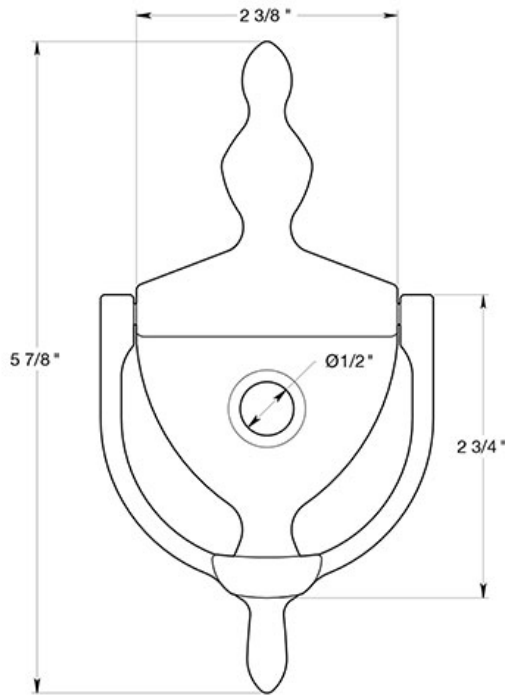
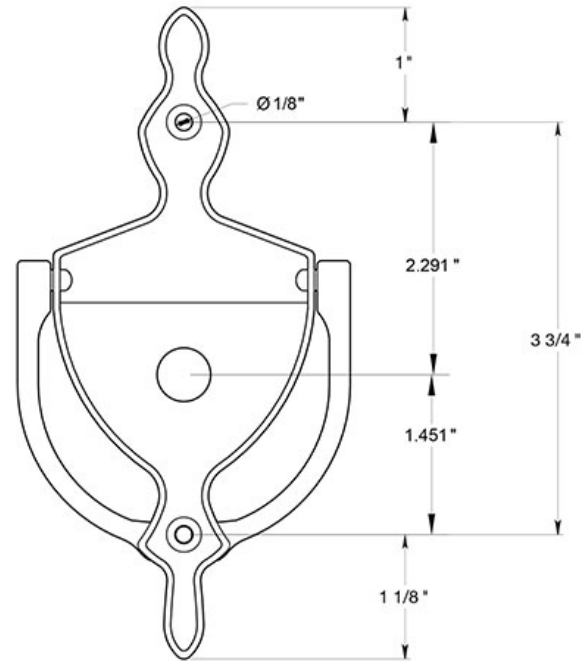


# DKV630

DOOR KNOCKER WITH VIEWER / SOLID BRASS



FRONT VIEW



BACK VIEW

Packed with 2 cutting neck 2" machine screws.  
For doors 1-3/8" ~ 1-3/4" thick.  
View hole location may vary.  
It is not recommended to use this schematic for door preps.

DRAWING NOT TO SCALE

NOTE: Deltana reserves the right to constantly improve its products and is not responsible for differences between the product in-hand and the specifications contained in this drawing. We do not recommend to pre-drill holes or pre-cut woods or metals based on the drawing information if the veracity of the specifications has not been proven by the live product.