

CRYSTORAMA

1958
 95 Cantiague Rock Road, Westbury NY 11590
 ph:516.931.9090 fax:516.931.1254
 info@crystorama.com www.crystorama.com

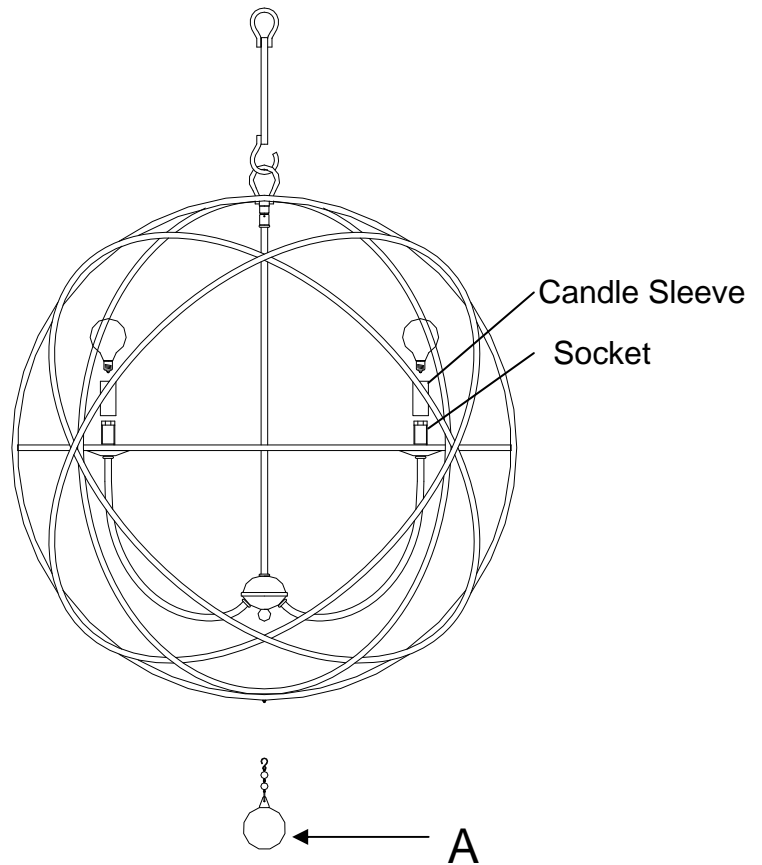
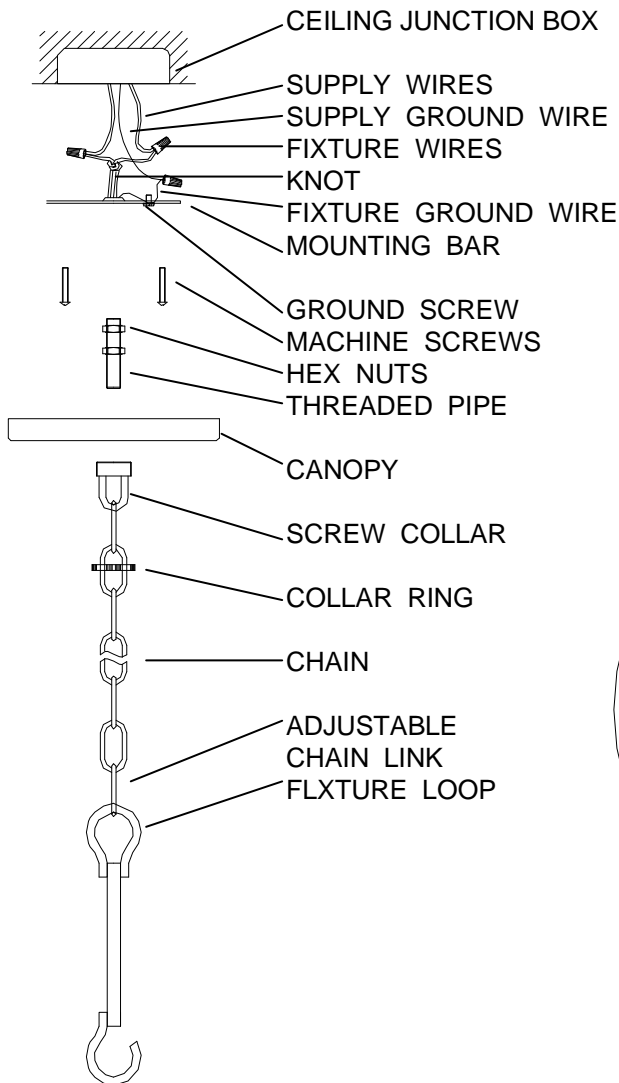
MODEL#:9228-EB ASSEMBLY AND DRESSING INSTRUCTIONS



All electrical components must be installed by a licensed electrician in accordance with the National Electric Code and the appropriate local electrical codes.



You will need 6 - Cand.Bulb
 40 Watts Recommended
 60Watts Max
 Bulb not included



A= (1X63mm Ball+2 X10mm Ball) *1pc