

CRYST RAMA



1958

95 Cantiague Rock Road, Westbury NY 11590

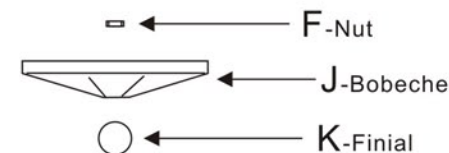
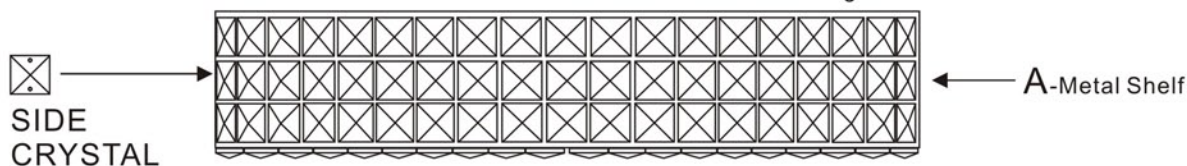
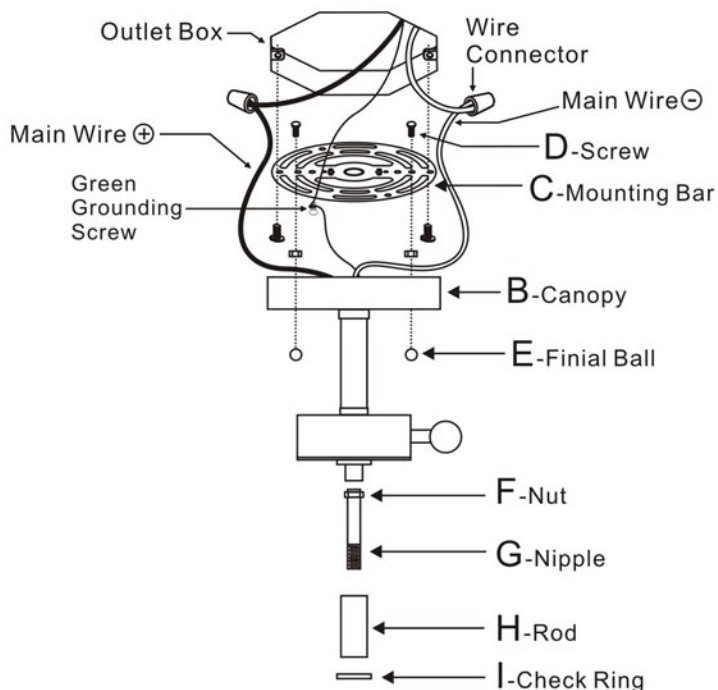
ph:516.931.9090 fax: 516. 931.1254

info@crystorama.com www.crystorama.com

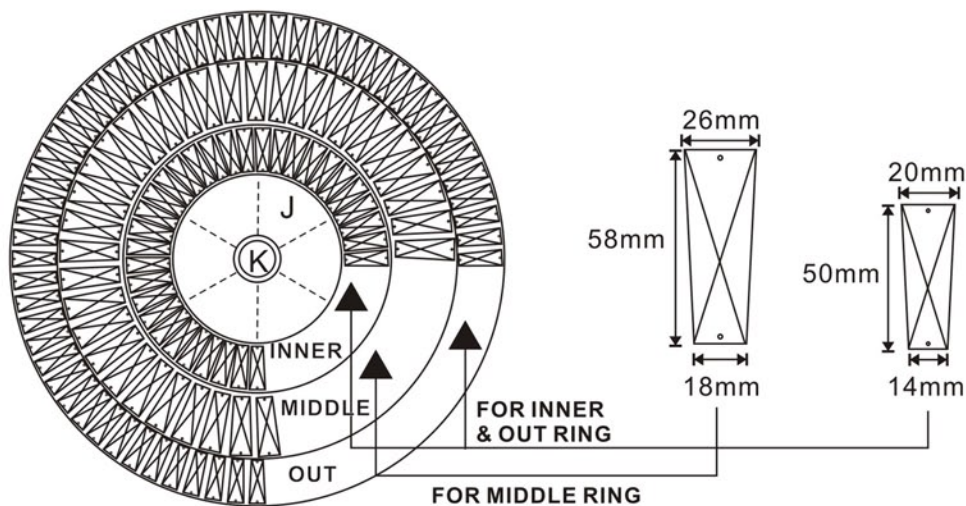
MODEL#:818 ASSEMBLY AND DRESSING INSTRUCTIONS



All electrical components must be installed by a licensed electrician in accordance with the National Electric Code and the appropriate local electrical codes.



BOTTOM VIEW



ASSEMBLY STEPS:

- 1) D → C
- 2) C.E → B
- 3) F.G.H.I → B
- 4) A → B
- 5) F → A
- 6) J.K → A