

# CRYST RAMA



1958

95 Cantiague Rock Road, Westbury NY 11590  
 ph:516.931.9090 fax: 516. 931.1254  
 info@crystorama.com www.crystorama.com

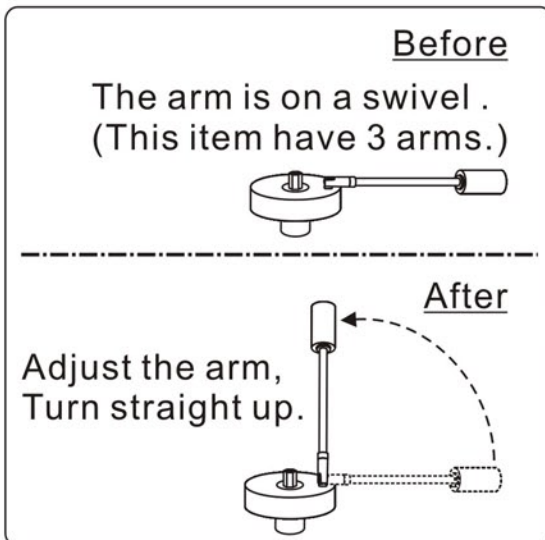
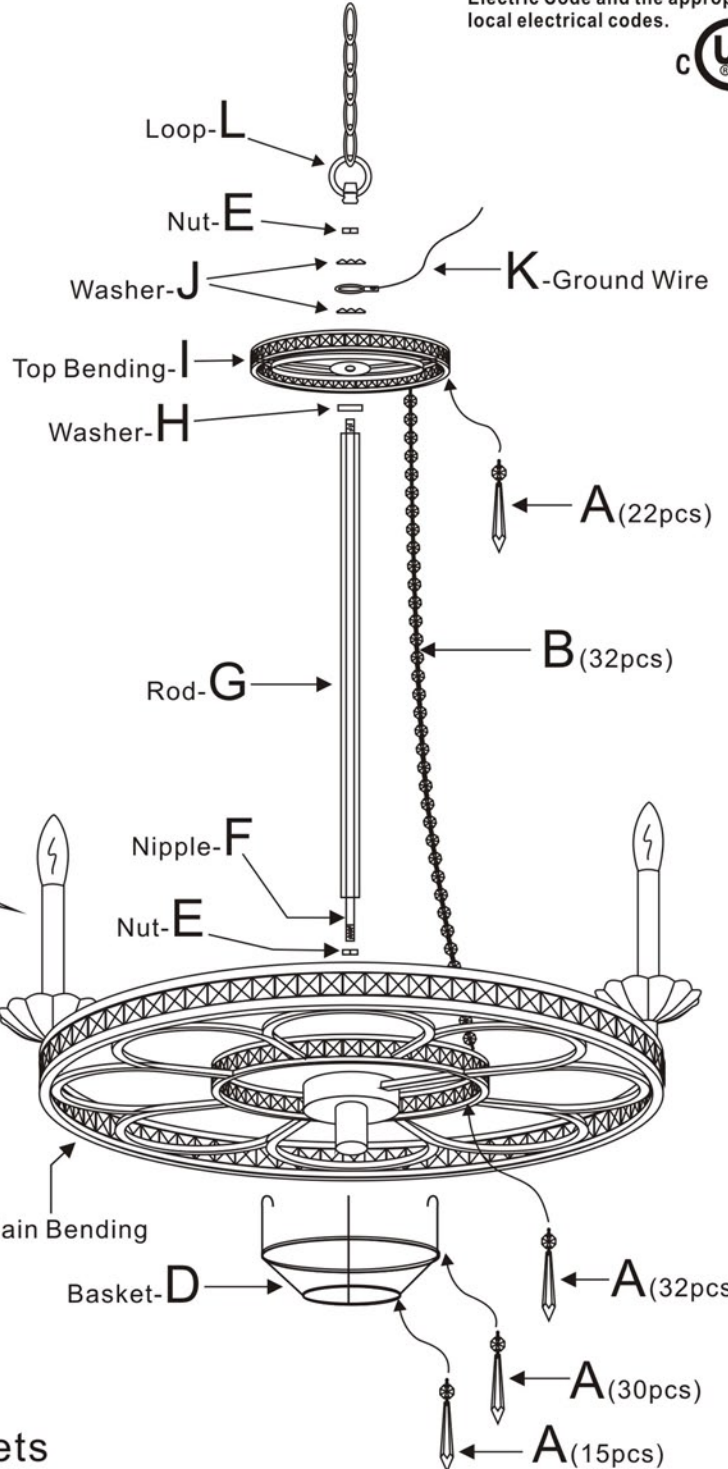
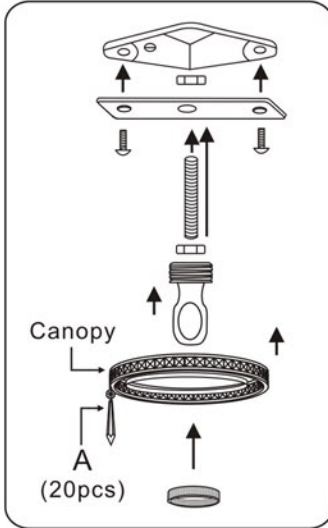
## MODEL#:5268 ASSEMBLY AND DRESSING INSTRUCTIONS



All electrical components must be installed by a licensed electrician in accordance with the National Electric Code and the appropriate local electrical codes.



You will need 12 - Cand.Bulb  
 40 Watts Recommended  
 60 Watts Max  
 Bulb not included.



### ASSEMBLY STEPS:

- 1) E.F.G.H. → C  
 I.J.K.L
- 2) D → C
- 3) A.B → C

A = (14mm+80mm) \* 119sets  
 B = (14mm \* 34pcs) \* 32sets