

# CRYST RAMA



1958

95 Cantiague Rock Road, Westbury NY 11590

ph:516.931.9090 fax: 516. 931.1254

info@crystorama.com www.crystorama.com

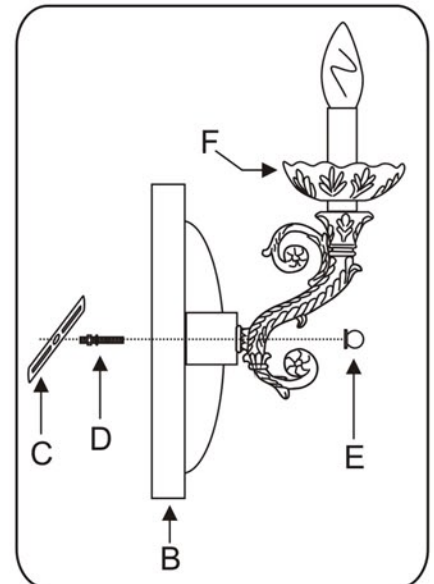
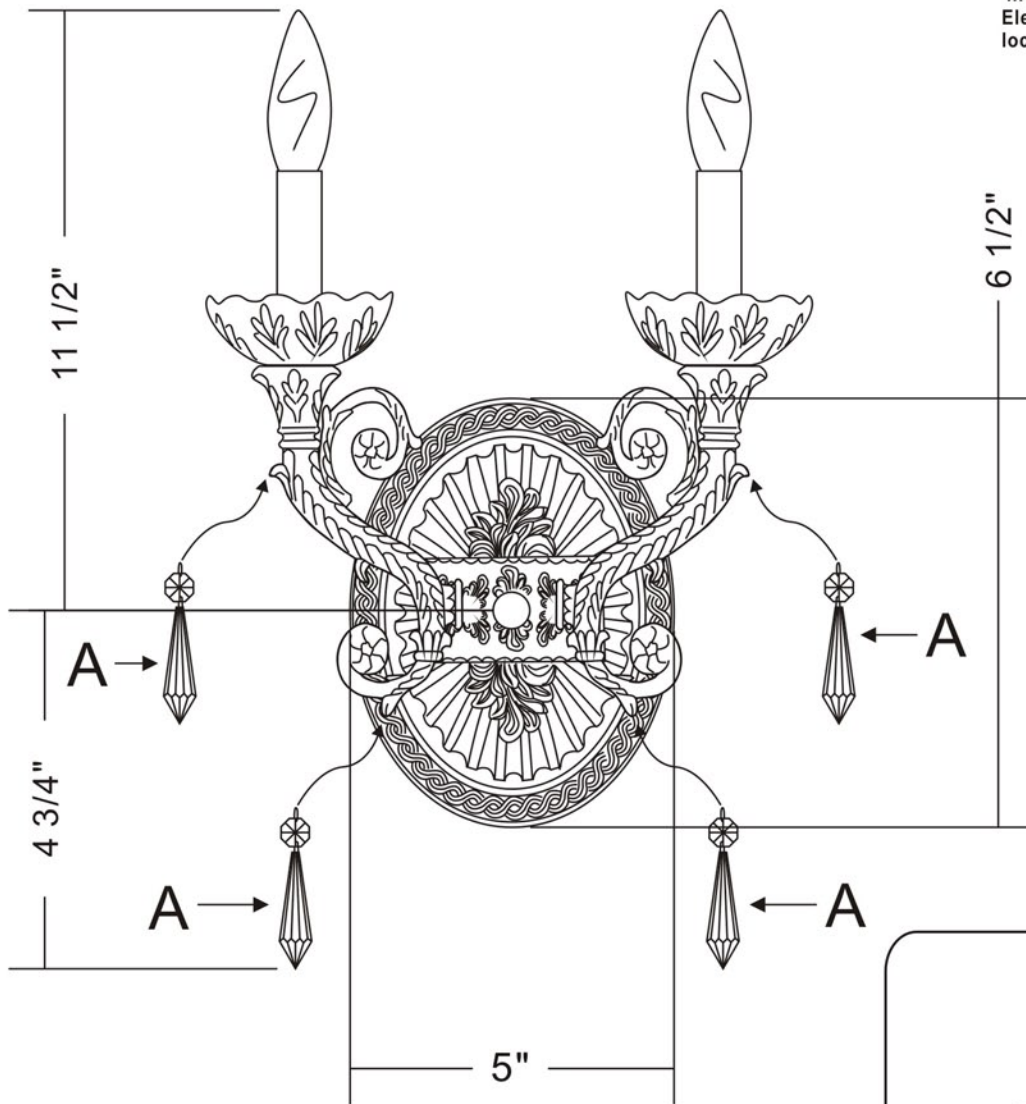
**MODEL#:5152**

**ASSEMBLY AND DRESSING INSTRUCTIONS**

**WARNING:**

Electrical Danger Turn Power Off

All electrical components must be installed by a licensed electrician in accordance with the National Electric Code and the appropriate local electrical codes.



You will need 2 - Cand. Bulb  
40 Watts Recommended  
60 Watts Max  
Bulb not included.

**ASSEMBLY STEPS:**

- 1) D → C
- 2) C.E → B
- 3) A.F → B

A= (14mm+60mm)\*4sets