

# CRYST RAMA



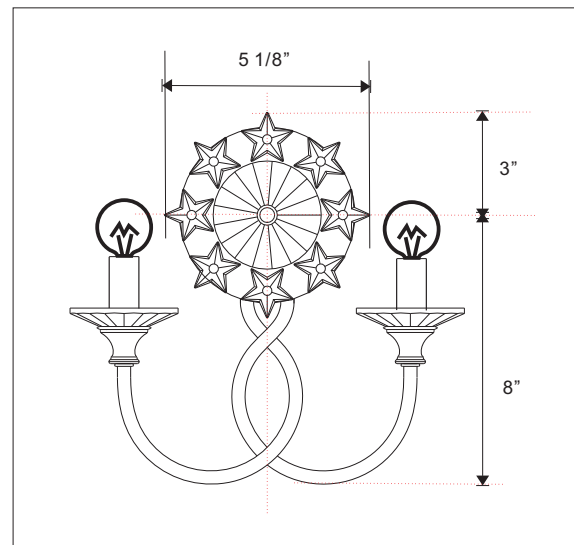
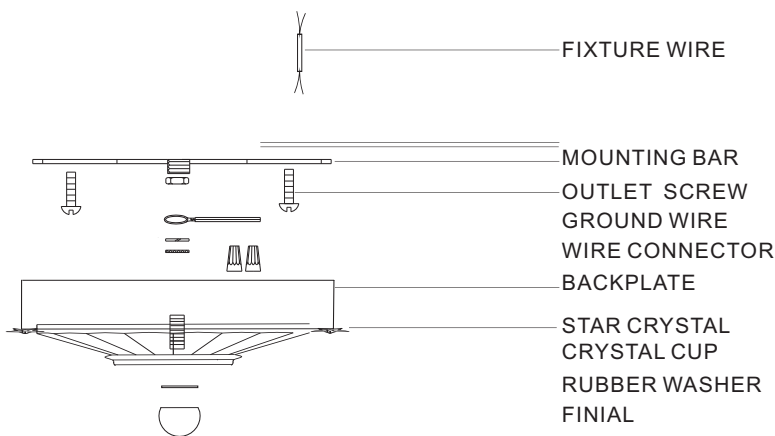
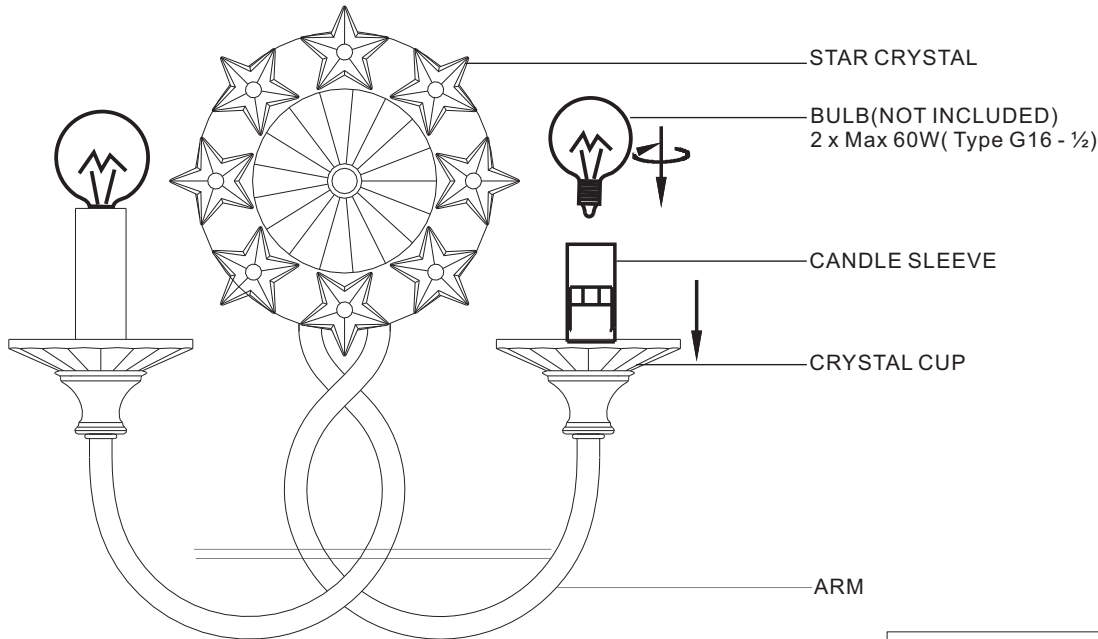
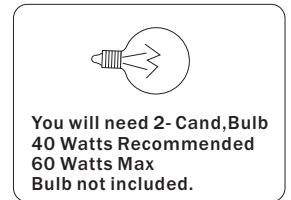
1958

95 Cantiague Rock Road, Westbury NY 11590  
 ph:516.931.9090 fax:516.931.1254  
 info@crystorama.com • www.crystorama.com

## MODEL#: 442-SA ASSEMBLY AND DRESSING INSTRUCTIONS



**WARNING:**  
 All electrical components must be installed by a licensed electrician in accordance with the National Electric Code and the appropriate local electrical codes.



**Note:**  
 please do not overtighten the finial, when secure the backplate in order to not break the crystal bobèche over them.